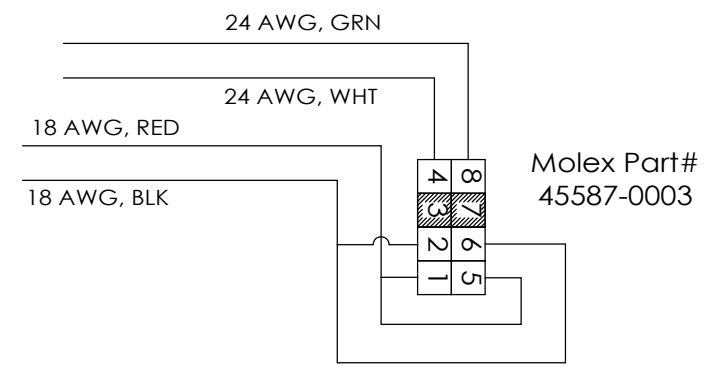
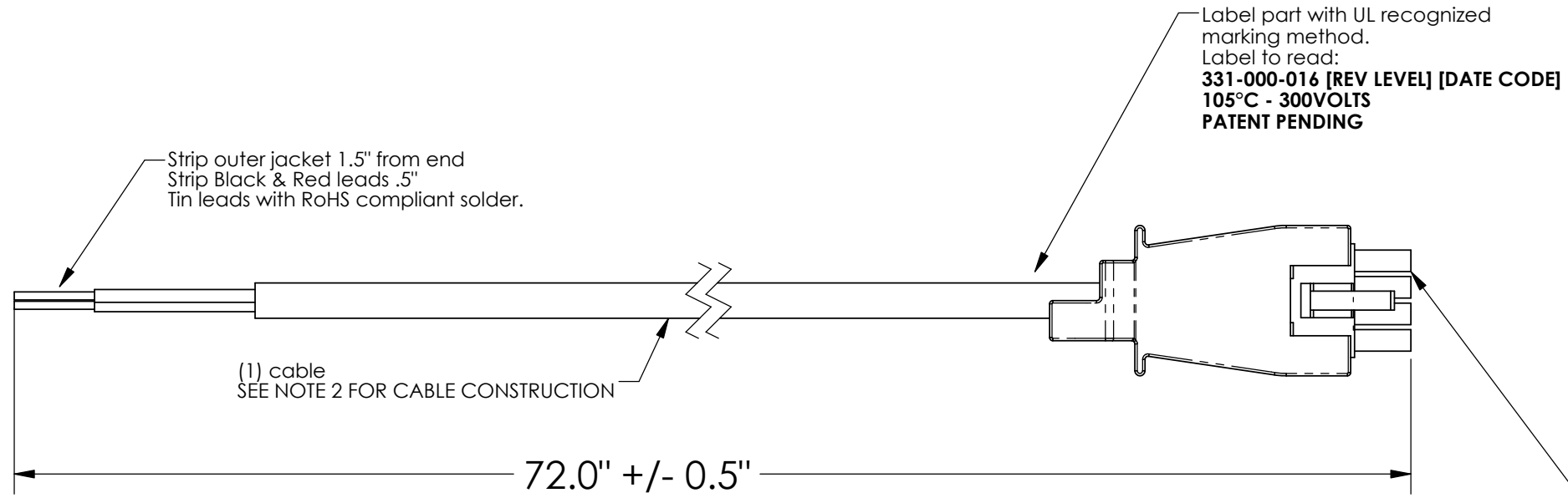


- Cable assembly to be UL rated for 105°C continuous operating temperature and have a minimum dielectric rating of 300 Volts.
- Cable to be constructed as follows:  
 (2) conductors, (1) white, (1) green, 24AWG (42/40) bare copper with 0.010" TPE (8421) insulation - (AWM 10108)  
 (2) conductors, (1) red, (1) black, 18AWG (65/36) bare copper with 0.010" TPE (8421) insulation - (AWM 10108)  
 Tissue and marker thread.  
 Outer jacket 0.030" (0.219" OD) matte black TPE(8451) - (AWM 20327)  
 Note: White & Green leads should be trimmed at edge of outer jacket on non-connector end.
- Connectors and strain relief must pass a 25lb pull test.
- ALL crimp connections are to be fully wetted with lead free solder with visible reflow of solder over the crimp barrel.
- Assembly to be compliant with RoHS directive 2002/95/EC.

REV.	ECO#	DESCRIPTION	DATE	BY
A	-	INITIAL RELEASE	6/28/06	TA
B	14308	Chg 8 position connect. contacts to Gold	07/21/06	TA



**ELECTRICAL SCHEMATIC**

(Power to Controller)  
 Molex 45587-0003 receptacle  
**NOTE: LOCATION 1 & 2 WILL HAVE TWO 18 AWG CONDUCTORS CRIMPED INTO A SINGLE SOCKET**  
 Molex 45750-3211 (reel) or Molex 45750-3212 (loose) sockets on double 18 AWG conductors,  
 with Molex 44476-1211 (reel) or Molex 44476-1212 (loose) sockets on single 18 AWG conductors,  
 and Molex 39-00-0165 (reel) or Molex 39-00-0166 (loose) sockets on 24 AWG conductors.  
 Note: Widen latch tab notch to 7/16" -0" +1/16". Molex 15-04-9343 strain relief backshell.  
 Positions 3 & 7 should be empty.

B

B

A

A

UNLESS OTHERWISE SPECIFIED, DIMENSIONS ARE IN INCHES PER ASME Y14.5M-1994. TOLERANCES: .X = ±0.1 .XX = ±0.01 .XXX = ±0.005 .XXXX = ±0.0005 ANGLES = ±0.5° FRACTIONS = ±1/16	DWN:	TA	6/28/06		12001 Lackland Road St. Louis, MO 63146 PHONE 314-878-4600 FAX 314-878-6814
	CHK:	EJ	6/28/06		
	ENG:	EJ	6/28/06		
	MFG:	-	-		
	QA:	-	-		
PUR:	-	-			
CONFIDENTIAL: This drawing and all information associated therewith may contain the confidential information of Watlow, or its customers or suppliers, which is subject to patent, trademark, copyright, or trade secret protection. Neither this drawing or the information associated therewith should be reproduced, used, or disclosed to others without the prior written permission of Watlow. Copyright 2004 Watlow Electric Manufacturing Co. All rights reserved.				<b>CONTROL POWER CORD TO EHG, STRAIGHT - 72"</b>	
FINISH - MATERIAL - CUSTOMER -		THIRD ANGLE PROJECTION 		SIZE B SCALE 1:2	DWG. NO. 331-000-016 WEIGHT - SHEET 1 OF 1

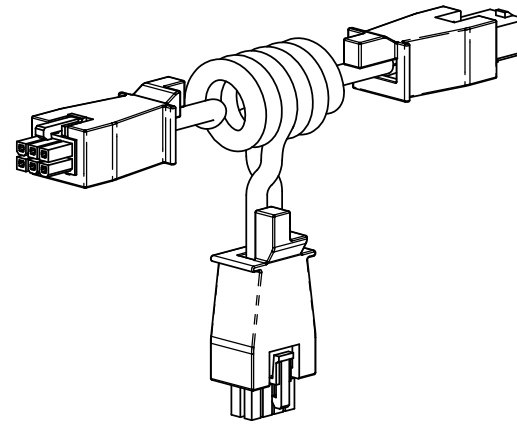
4

3

2

FORM: TITLE BLOCK REV. A

- Cable assembly to be UL rated for 105°C continuous operating temperature and have a minimum dielectric rating of 300 Volts.
- Cable to be constructed as follows:  
 (2) conductors, (1) white, (1) green, 24AWG (42/40) bare copper with 0.010" TPE (8421) insulation - (AWM 10108)  
 (2) conductors, (1) red, (1) black, 18AWG (65/36) bare copper with 0.010" TPE (8421) insulation - (AWM 10108)  
 Tissue and marker thread.  
 Outer jacket 0.030" (0.219" OD) matte black TPE(8451) - (AWM 20327)
- Connectors and strain relief must pass a 25lb pull test.
- ALL crimp connections are to be fully wetted with lead free solder with visible reflow of solder over the crimp barrel.
- Assembly to be compliant with RoHS directive 2002/95/EC.

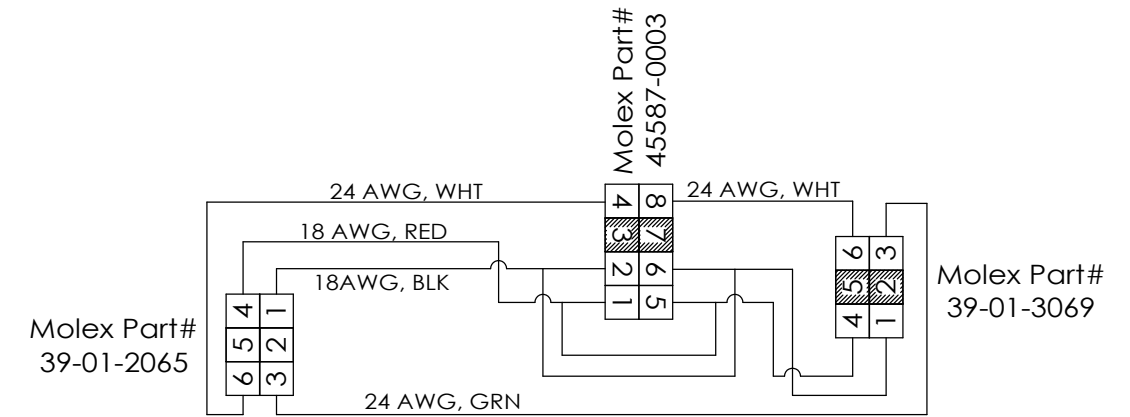


REVISION HISTORY				
REV.	ECO#	DESCRIPTION	DATE	BY
A	-	PREVIOUSLY THE 331-000-007 CABLE	2/22/06	TA
B	13812	Changed pin/ connector configuration	04/05/06	TA
C	14308	Chg 8 position connect. contacts to Gold	07/20/06	TA

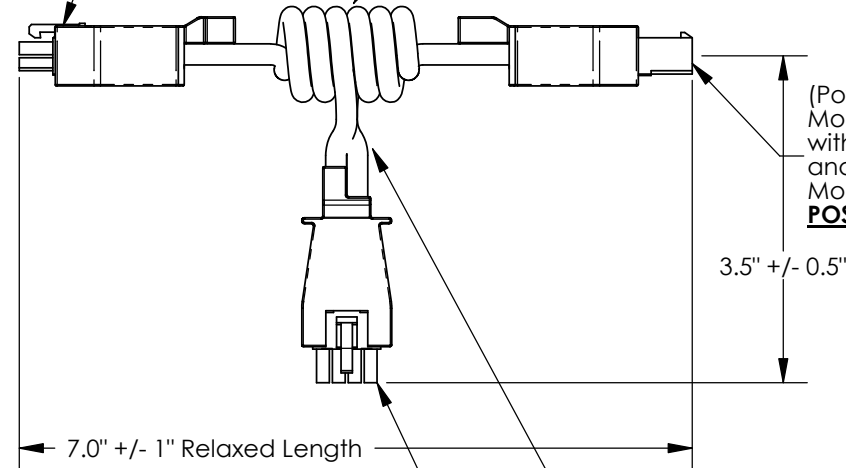
(Power Out)  
 Molex 39-01-2065 receptacle  
 with Molex 44476-1111 (reel) or Molex 44476-1112 (loose) sockets on 18 AWG conductors (positions 1 & 4)  
 and Molex 39-00-0209 (reel) or Molex 39-00-0210 (loose) sockets on 24 AWG conductors. (positions 3 & 6)  
 Molex Polarizing Key 15-04-0211 (positions 2 & 5)  
 Molex 15-04-9342 strain relief backshell.

(2) cables, 1" +/- 0.063" Coil O.D.  
 Joined in center by ~0.5"  
 long heat shrink tubing.  
 Combined relaxed coil length 1.5" +/- 0.5"  
 SEE NOTE 2 FOR CABLE CONSTRUCTION

(Power In)  
 Molex 39-01-3069 plug  
 with Molex 44478-1111 (reel) or Molex 44478-1112 (loose) pins on 18 AWG conductors (positions 1 & 4)  
 and Molex 39-00-0122 (reel) or Molex 39-00-0123 (loose) pins on 24 AWG conductors. (positions 3 & 6)  
 Molex 15-04-9342 strain relief backshell.  
**POSITIONS 2 & 5 MUST REMAIN EMPTY.**



**ELECTRICAL SCHEMATIC**



Label part with UL recognized marking method.  
 Label to read:  
**4800-0011 [REV LEVEL] [DATE CODE]**  
**105°C - 300VOLTS**  
**PATENT PENDING**

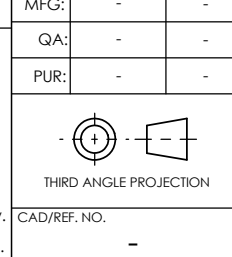
(Power to Controller)  
 Molex 45587-0003 receptacle  
 with Molex 45750-3211 (reel) or Molex 45750-3212 (loose) sockets on 18 AWG conductors (positions 1, 5, 2, & 6)  
 and Molex 39-00-0165 (reel) or Molex 39-00-0166 (loose) sockets on 24 AWG conductors. (4 & 8)  
 Note: Widen latch tab notch to 7/16" -0" +1/16". Molex 15-04-9343 strain relief backshell.  
**NOTE: TWO 18 AWG CONDUCTORS WILL BE CRIMPED INTO EACH 45750 SERIES SOCKET (SEE SCHEMATIC)**  
 Positions 3 & 7 should be empty.

FINISH	-
MATERIAL	-
CUSTOMER	-

UNLESS OTHERWISE SPECIFIED,  
 DIMENSIONS ARE IN INCHES  
 PER ASME Y14.5M-1994.  
 TOLERANCES:  
 .X = ±0.1 .XX = ±0.01  
 .XXX = ±0.005 .XXXX = ±0.0005  
 ANGLES = ±0.5° FRACTIONS = ±1/16

DWN:	TA	2/22/06
CHK:	SLL	2/23/06
ENG:	SLL	2/23/06
MFG:	-	-
QA:	-	-
PUR:	-	-

CONFIDENTIAL: This drawing and all information associated therewith may contain the confidential information of Watlow, or its customers or suppliers, which is subject to patent, trademark, copyright, or trade secret protection. Neither this drawing or the information associated therewith should be reproduced, used, or disclosed to others without the prior written permission of Watlow. Copyright 2004 Watlow Electric Manufacturing Co. All rights reserved.



12001 Lackland Road  
 St. Louis, MO 63146  
 PHONE 314-878-4600  
 FAX 314-878-6814

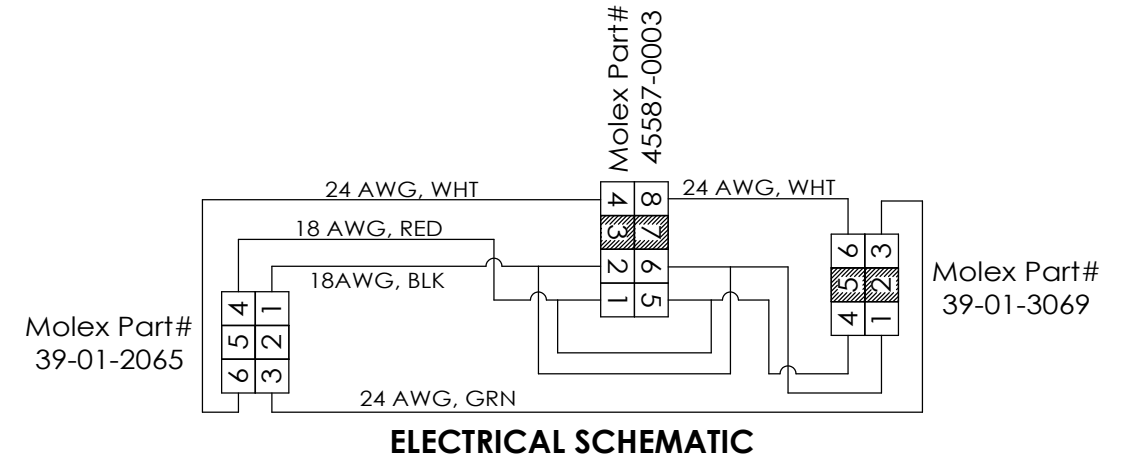
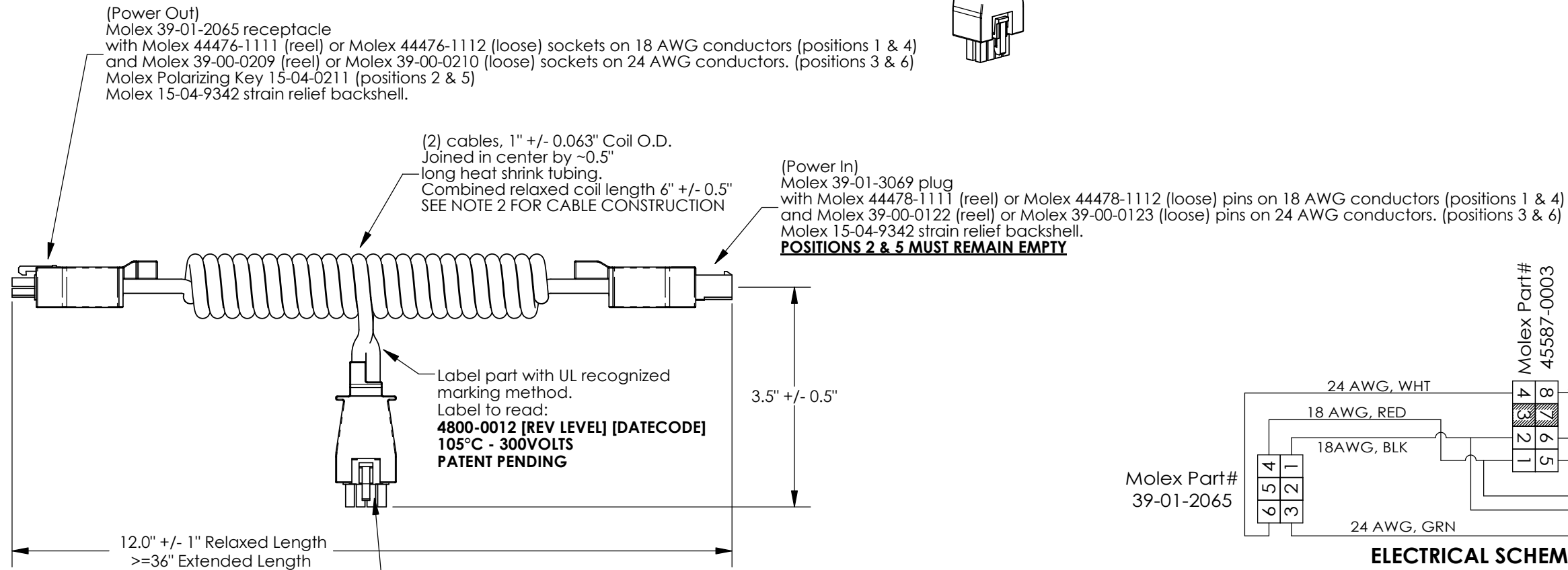
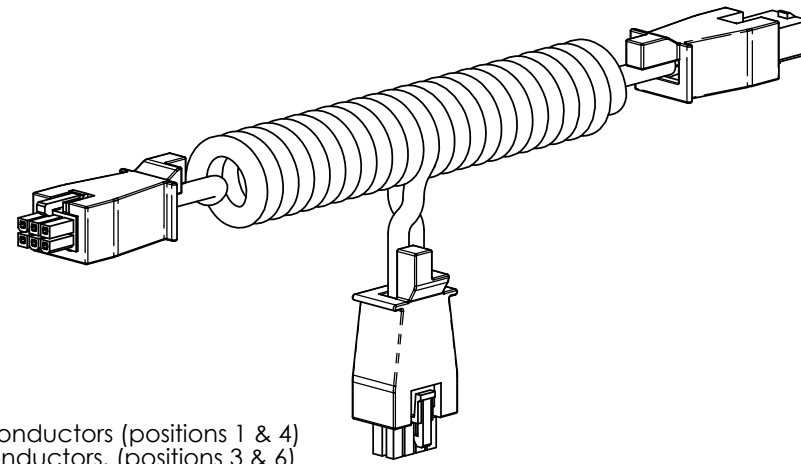
**WATLOW**

TITLE  
**CONTROL POWER CORD  
 COILED, JUMPERED  
 SHORT**

SIZE	B	DWG. NO.	4800-0011	REV	C
SCALE	1:2	WEIGHT	-	SHEET	1 OF 1

- Cable assembly to be UL rated for 105°C continuous operating temperature and have a minimum dielectric rating of 300 Volts.
- Cable to be constructed as follows:  
 (2) conductors, (1) white, (1) green, 24AWG (42/40) bare copper with 0.010" TPE (8421) insulation - (AWM 10108)  
 (2) conductors, (1) red, (1) black, 18AWG (65/36) bare copper with 0.010" TPE (8421) insulation - (AWM 10108)  
 Tissue and marker thread.  
 Outer jacket 0.030" (0.219" OD) matte black TPE(8451) - (AWM 20327)
- Connectors and strain relief must pass a 25lb pull test.
- ALL crimp connections are to be fully wetted with lead free solder with visible reflow of solder over the crimp barrel.
- Assembly to be compliant with RoHS directive 2002/95/EC.

REVISION HISTORY				
REV.	ECO#	DESCRIPTION	DATE	BY
A	-	PREVIOUSLY THE 331-000-005 CABLE	2/22/06	TA
B	13812	Changed pin/connecter configuration	04/05/06	TA
C	14308	Chg 8 position connect. contacts to Gold	07/20/06	TA

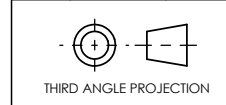


(Power to Controller)  
 Molex 45587-0003 receptacle with Molex 45750-3211 (reel) or Molex 45750-3212 (loose) sockets on 18 AWG conductors (1, 5, 2, & 6) and Molex 39-00-0165 (reel) or Molex 39-00-0166 (loose) sockets on 24 AWG conductors. (4 & 8)  
 Note: Widen latch tab notch to 7/16" -0" +1/16". Molex 15-04-9343 strain relief backshell.  
**NOTE: TWO 18 AWG CONDUCTORS WILL BE CRIMPED INTO EACH 45750 SERIES SOCKET (SEE SCHEMATIC)**  
 Positions 3 & 7 should be empty.

FINISH	-
MATERIAL	-
CUSTOMER	-

UNLESS OTHERWISE SPECIFIED, DIMENSIONS ARE IN INCHES PER ASME Y14.5M-1994.  
 TOLERANCES:  
 .X = ±0.1 .XX = ±0.05 .XXX = ±0.005  
 ANGLES = ±0.5° FRACTIONS = ±1/16

DWN:	TA	2/22/06
CHK:	SLL	2/23/06
ENG:	SLL	2/23/06
MFG:	-	-
QA:	-	-
PUR:	-	-



12001 Lackland Road  
 St. Louis, MO 63146  
 PHONE 314-878-4600  
 FAX 314-878-6814

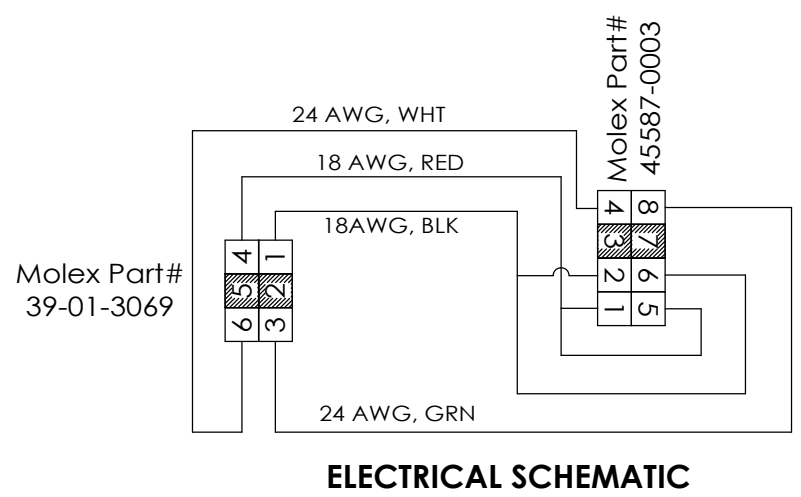
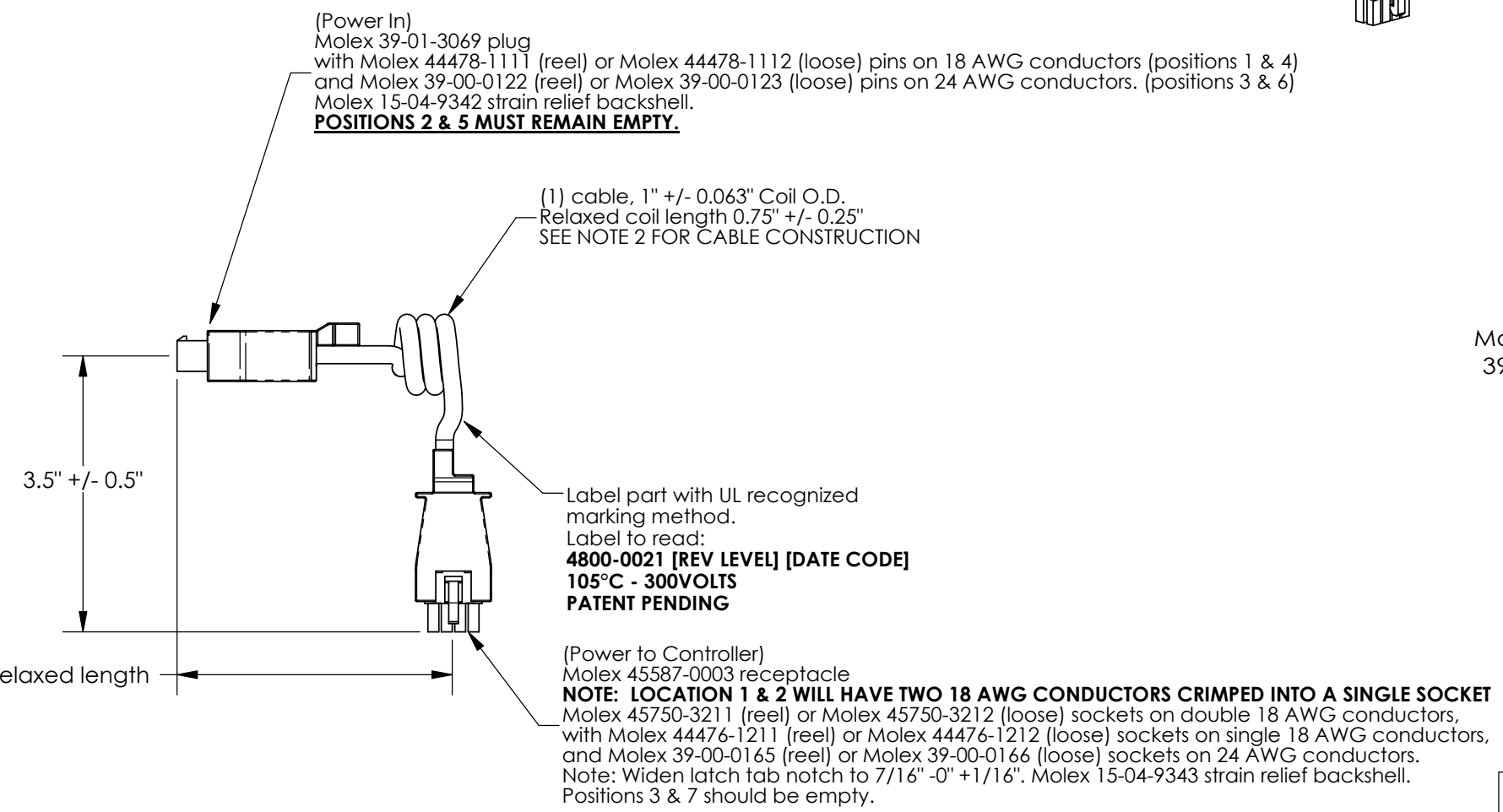
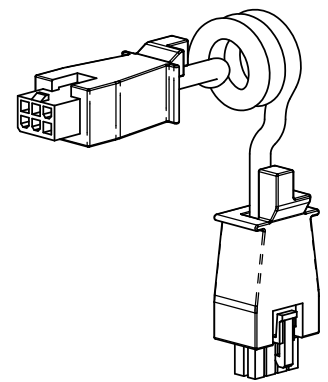
**WATLOW**

TITLE  
**CONTROL POWER CORD  
 COILED, JUMPERED  
 LONG**

SIZE	B	DWG. NO.	4800-0012	REV	C
SCALE	1:2	WEIGHT	-	SHEET	1 OF 1

- Cable assembly to be UL rated for 105°C continuous operating temperature and have a minimum dielectric rating of 300 Volts.
- Cable to be constructed as follows:  
 (2) conductors, (1) white, (1) green, 24AWG (42/40) bare copper with 0.010" TPE (8421) insulation - (AWM 10108)  
 (2) conductors, (1) red, (1) black, 18AWG (65/36) bare copper with 0.010" TPE (8421) insulation - (AWM 10108)  
 Tissue and marker thread.  
 Outer jacket 0.030" (0.219" OD) matte black TPE(8451) - (AWM 20327)
- Connectors and strain relief must pass a 25lb pull test.
- ALL crimp connections are to be fully wetted with lead free solder with visible reflow of solder over the crimp barrel.
- Assembly to be compliant with RoHS directive 2002/95/EC.

REVISION HISTORY				
REV.	ECO#	DESCRIPTION	DATE	BY
A	-	PREVIOUSLY THE 331-000-008 CABLE	2/22/06	TA
B	13812	Changed pin/ connector configuration	04/05/06	TA
C	14308	Chg 8 position connect. contacts to Gold	07/20/06	TA

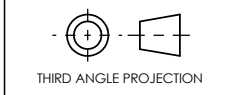


FINISH	-
MATERIAL	-
CUSTOMER	-

UNLESS OTHERWISE SPECIFIED,  
 DIMENSIONS ARE IN INCHES  
 PER ASME Y14.5M-1994.  
 TOLERANCES:  
 .X = ±0.1 .XX = ±0.01  
 .XXX = ±0.005 .XXXX = ±0.0005  
 ANGLES = ±0.5° FRACTIONS = ±1/16

DWN:	TA	2/22/06
CHK:	SLL	2/23/06
ENG:	SLL	2/23/06
MFG:	-	-
QA:	-	-
PUR:	-	-

CONFIDENTIAL: This drawing and all information associated therewith may contain the confidential information of Watlow, or its customers or suppliers, which is subject to patent, trademark, copyright, or trade secret protection. Neither this drawing or the information associated therewith should be reproduced, used, or disclosed to others without the prior written permission of Watlow. Copyright 2004 Watlow Electric Manufacturing Co. All rights reserved.



12001 Lackland Road  
 St. Louis, MO 63146  
 PHONE 314-878-4600  
 FAX 314-878-6814

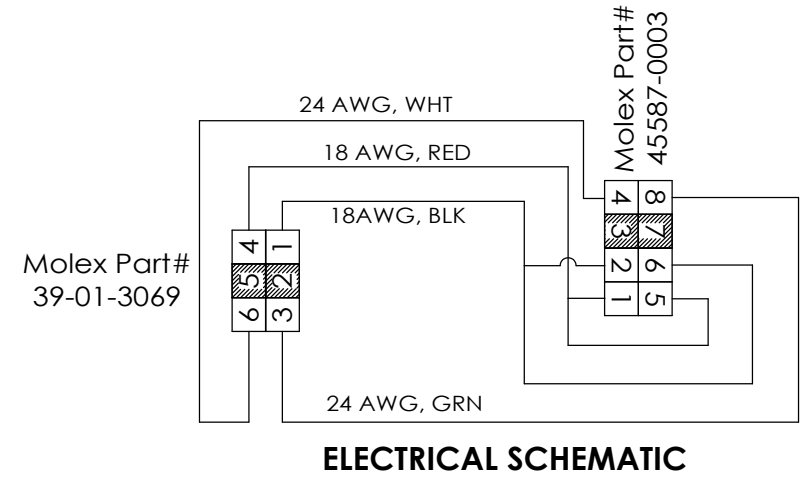
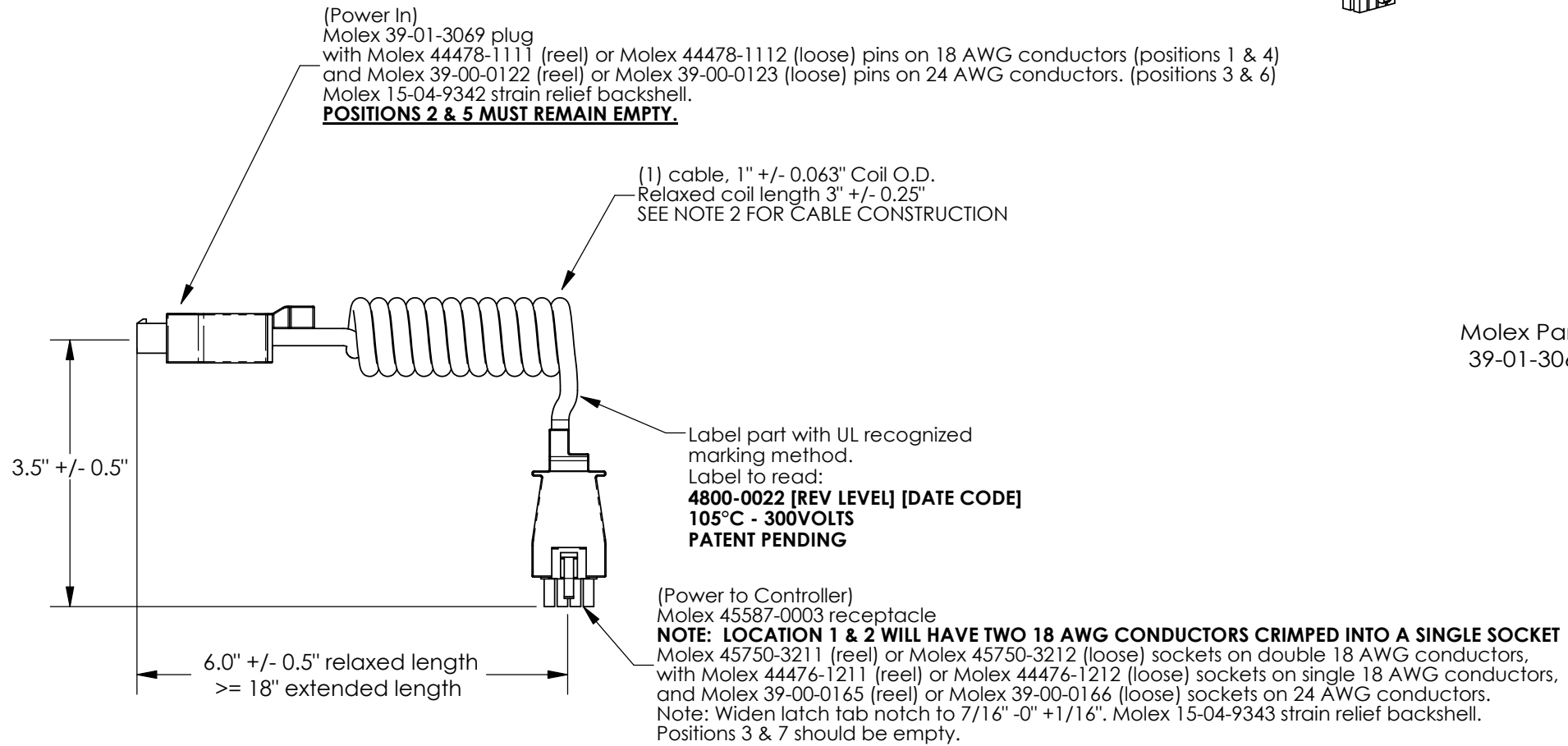
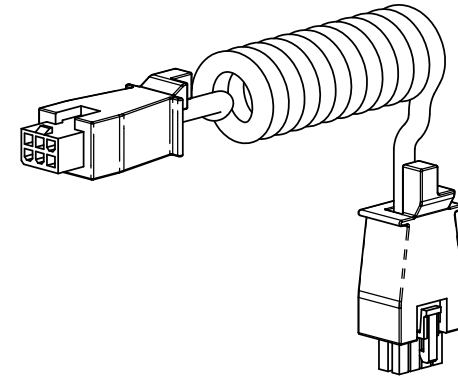
**WATLOW**

TITLE  
**CONTROL POWER CORD  
 COILED, TERMINATED  
 SHORT**

SIZE	DWG. NO.	REV
B	4800-0021	C
SCALE	WEIGHT	SHEET
1:2	-	1 OF 1

- Cable assembly to be UL rated for 105°C continuous operating temperature and have a minimum dielectric rating of 300 Volts.
- Cable to be constructed as follows:  
 (2) conductors, (1) white, (1) green, 24AWG (42/40) bare copper with 0.010" TPE (8421) insulation - (AWM 10108)  
 (2) conductors, (1) red, (1) black, 18AWG (65/36) bare copper with 0.010" TPE (8421) insulation - (AWM 10108)  
 Tissue and marker thread.  
 Outer jacket 0.030" (0.219" OD) matte black TPE(8451) - (AWM 20327)
- Connectors and strain relief must pass a 25lb pull test.
- ALL crimp connections are to be fully wetted with lead free solder with visible reflow of solder over the crimp barrel.
- Assembly to be compliant with RoHS directive 2002/95/EC.

REV.	ECO#	DESCRIPTION	DATE	BY
A	-	PREVIOUSLY THE 331-000-006 CABLE	2/22/06	TA
B	13812	Changed pin/ connector configuration	04/05/06	TA
C	14308	Chg 8 position connect. contacts to Gold	07/21/06	TA



UNLESS OTHERWISE SPECIFIED, DIMENSIONS ARE IN INCHES PER ASME Y14.5M-1994. TOLERANCES: .X = ±0.1 .XX = ±0.01 .XXX = ±0.005 .XXXX = ±0.0005 ANGLES = ±0.5° FRACTIONS = ±1/16	DWN:	TA	2/22/06		12001 Lackland Road St. Louis, MO 63146 PHONE 314-878-4600 FAX 314-878-6814			
	CHK:	SLL	2/23/06					
	ENG:	SLL	2/23/06					
	MFG:	-	-					
CONFIDENTIAL: This drawing and all information associated therewith may contain the confidential information of Watlow, or its customers or suppliers, which is subject to patent, trademark, copyright, or trade secret protection. Neither this drawing or the information associated therewith should be reproduced, used, or disclosed to others without the prior written permission of Watlow. Copyright 2004 Watlow Electric Manufacturing Co. All rights reserved.	QA:	-	-		<b>CONTROL POWER CORD</b> <b>COILED, TERMINATED</b> <b>LONG</b>			
	PUR:	-	-					
	CAD/REF. NO.	-	-			SIZE	DWG. NO.	REV
	SCALE	WEIGHT	SHEET			B	4800-0022	C
FINISH	-			1:2	-	1 OF 1		
MATERIAL	-							
CUSTOMER	-							