

Series 988

Enhanced Software Features

Includes 986, 987, 988 and 989



1/8 DIN Microprocessor-Based Temperature/Process Controller

CE 96

**TOTAL
CUSTOMER
SATISFACTION**
3 Year Warranty

ISO 9001



Registered Company
Winona, Minnesota USA



Watlow Controls

1241 Bundy Boulevard, P.O. Box 5580, Winona, Minnesota USA 55987-5580
Phone: (507) 454-5300, Fax: (507) 452-4507 <http://www.watlow.com>

Table of Contents

Cascade	3
Differential	7
Dual PID	9
Duplex	11
Ratio	12

Technical Assistance

If you encounter a problem with your Watlow controller, review all of your configuration information for each step of the setup to verify that your selections are consistent with your applications.

If the problem persists, an Application Engineer can discuss your application with you.

Before calling, please have the complete model number and user's manual available. You can get technical support by dialing 507/494-5656, 7 a.m. to 7 p.m. Central Standard Time, or e-mail to wintechsupport@watlow.com.

We Value Your Feedback

Your comments and suggestions on this manual are welcome. Please send them to, Technical Writer, Watlow Controls, P.O. Box 5580, Winona, MN 55987-5580, or call (507) 454-5300, or fax (507) 452-4507. The Series 988 Advanced Software Features manual is copyrighted by Watlow Winona, Inc., © October 1999, with all rights reserved. (1859)

Cascade

Requirements

Cascade control requires enhanced software and two analog inputs, input 1 to monitor the primary, or outer, loop and input 2 to monitor the secondary, or inner, loop. At least one control output is required to control the process.

Overview

Cascade control can handle a difficult process with minimal overshoot, while reaching the set point quickly. This minimizes damage to system components and allows for oversizing heaters for optimal heat-up rates. Heater life is also extended by reducing thermal cycling of the heater.

Systems with long lag times between the energy source (heater, steam, etc.) and the measured process value cannot be controlled accurately or efficiently with a single control loop, because a lot of energy can build up before a response is detected. This can cause the system to overshoot the set point, which could damage the heater, product or heat transfer medium, such as a heat transfer fluid.

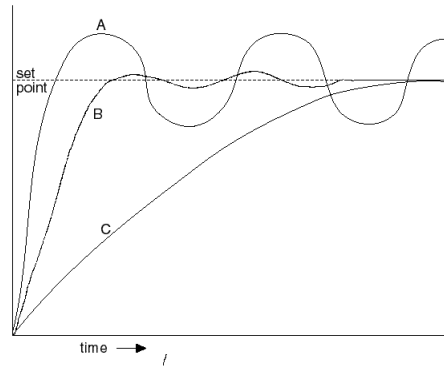


Figure 9.3a - System heat-up profiles using three different control methods.

In most long-lag-time systems the process value may never settle out to an acceptable error. Curve C represents a single-control system tuned to minimize overshoot. This results in unacceptable heat-up rates, with the final value taking hours to reach. Curve B shows a cascade system that limits the energy introduced into the system,

allowing an optimal heat-up rate with minimal overshoot.

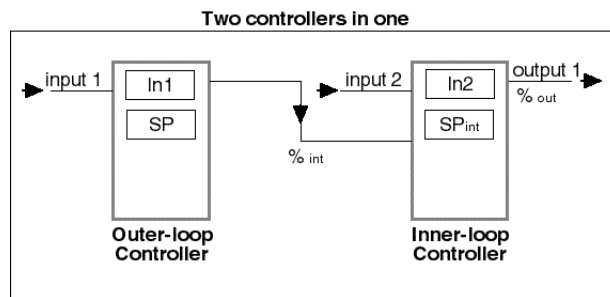


Figure 9.3b - The cascade feature allows one Series 988 controller to internalize the functions of two controllers.

This drawing shows two controllers configured as a cascade system. The second controller generates the internal set point. The Series 988 effectively

combines both controllers into a single package.

The primary controller measures the process in the outer, or primary, loop with input 1 and compares the value to the desired set point. The

difference between the set point and the process temperature generates an internal percent output value for the second, or inner loop, controller. This value cannot be seen by the operator. This internal percent (% int) output generates the internal set point for the secondary, or inner loop. The secondary loop uses this set point and the value of input 2 (typically attached to the heater sheath) to control the heat source temperature.

Algorithm

The following formulas show how the primary control sends a set point (based on input 2 range-high and range-low values) to the secondary control. The secondary control uses this set point (SP int) to generate a percent output (% out) to the heater.

$$1.) \%_{\text{int}} = \text{PID Set A [In1 - SP]}$$

$$2.) \text{SP}_{\text{int}} = (\text{rH2} - \text{rL2}) * \%_{\text{int}} + \text{rL2}$$

$$3.) \%_{\text{out}} = \text{PID Set B [In2 - SP}_{\text{int}}]$$

The critical parameters are the range settings for input 2 of the inner loop controller. The range-high value (rH2) is the maximum allowed set point for the secondary, or inner, loop. The range-low value (rL2) is the minimum allowed set point. In a system controlling a heater this would be the maximum and minimum desired sheath temperatures of the heater. Typically the range-low term is set below the ambient temperature. Otherwise the system could never fully cool down.

Setup

When tuning a cascade system, the inner loop must be tuned first. In a heating system the inner loop is comprised of the output device and the input 2 sensor, which usually measures the heater sheath temperature. The output device controls a power switching device, which, in turn switches the heater. The set point for the inner loop is generated by the outer loop and will have a range between range low 2 and range high 2 .

Before tuning the inner loop you must make sure and are set properly. Set the value of slightly lower than the ambient temperature, otherwise the system will never fully cool down. Set to the maximum desired heat source temperature. The inner loop can be auto-tuned by setting to . While auto-tuning, the inner loop will be controlled in an ON/OFF mode at a set point equal to x .

Once the inner loop, PID B, has completed auto-tuning, we can then auto-tune the outer loop, PID A. The outer loop will generate the set point for the inner loop. This is done by comparing the value of the input 1 sensor to the process set point, performing the control algorithm by using the values of , then generating a set point between and .

The outer loop can be auto-tuned by setting \boxed{AUE} to \boxed{PIDR} . While auto-tuning, the outer loop will be controlled in an on/off mode at a set point equal to $\boxed{RESP} \times \boxed{SP1}$. In a heating application, make sure the set point is set at a value above ambient temperature. In most cases, the auto-tuning feature will tune \boxed{PIDR} for acceptable control. If not, you must then manually tune the outer loop.

Before beginning manual tuning, record the values of \boxed{PbIR} and \boxed{rEIR} generated by the auto-tuning feature. The auto-tune for the outer loop will not generate a value for \boxed{rAIR} , because rate (derivative) in the outer loop seems to cause instability in most systems.

Start manual tuning by setting \boxed{rEIR} to $\boxed{000}$. Enter the desired process set point and let the system stabilize. Once the system stabilizes, observe the value of $\boxed{Pr2}$ in the Display Menu. If the $\boxed{Pr2}$ value fluctuates, make the proportional band setting \boxed{PbIR} wider until the $\boxed{Pr2}$ value stabilizes. Make adjustment \boxed{PbIR} in 5° to 10° increments, allowing time between adjustments for the system to stabilize.

Once $\boxed{Pr2}$ has stabilized, observe percent power in the display loop. It should be stable, $\pm 10\%$. At this point, the process temperature should also be stable, but will exhibit droop (stabilized below set point). The droop can be eliminated with reset of integral.

Start with a setting of 0.01; allow 10 minutes for the process temperature to come up to set point. If it has not, increase the setting to 0.05 and wait another 10 minutes. After this, double the reset setting until process value equals the set point. If the process becomes unstable, the reset value is too large. Decrease the setting until the process stabilizes.

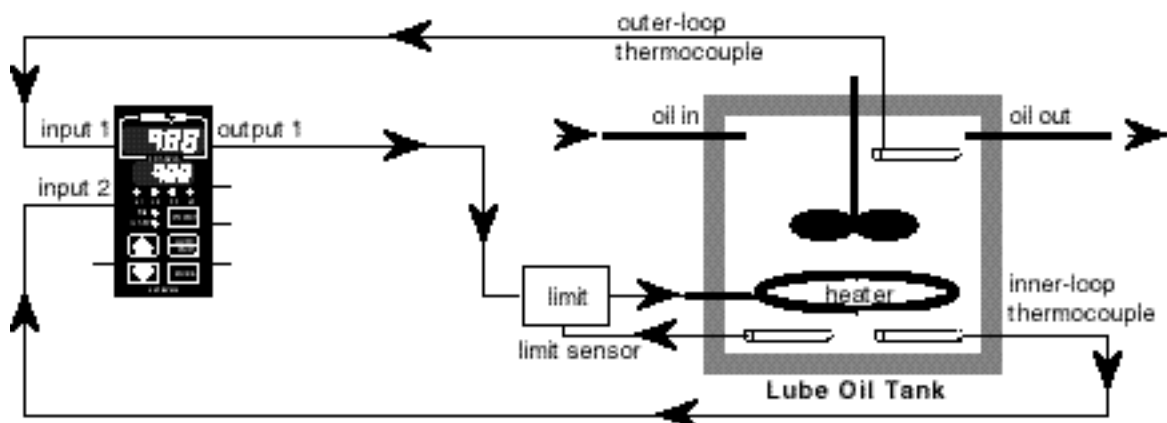


Figure 9.6 - Lube oil tank with cascade control.

Sample Application

A Series 988 controller is used to heat lube oil to 125°F with a screw-plug-style heater. To protect the oil from breaking down and maximize its life, it is desirable to limit the maximum heater sheath temperature to 250° F.

The Series 988 is ordered with two thermocouple inputs. Input 2, the inner loop in the cascade configuration, measures the heater sheath. Input 1, the outer loop, measures the lube oil temperature before it leaves the tank. The external set point is 125°. By setting range high 2 $\boxed{rH2}$ to 250° the set point for the heater sheath will be limited, thus extending the lube oil life.

Differential

Requirements

Two inputs and the enhanced software option are required.

Overview

Differential control allows the Series 988 to control one process at a difference to another process. Input 2 acts as a remote set point input. However the displayed set point indicates the desired difference between input 1 and input 2. The set point that input 1 will use is determined by the equation:

internal set point = input 2 + differential set point

The lower display shows the differential set point, which can be adjusted with the increment (up-arrow) and decrement (down-arrow) keys.

Please note that while in the differential control mode the internal set point for input 1 cannot be viewed and must be calculated with the equation.

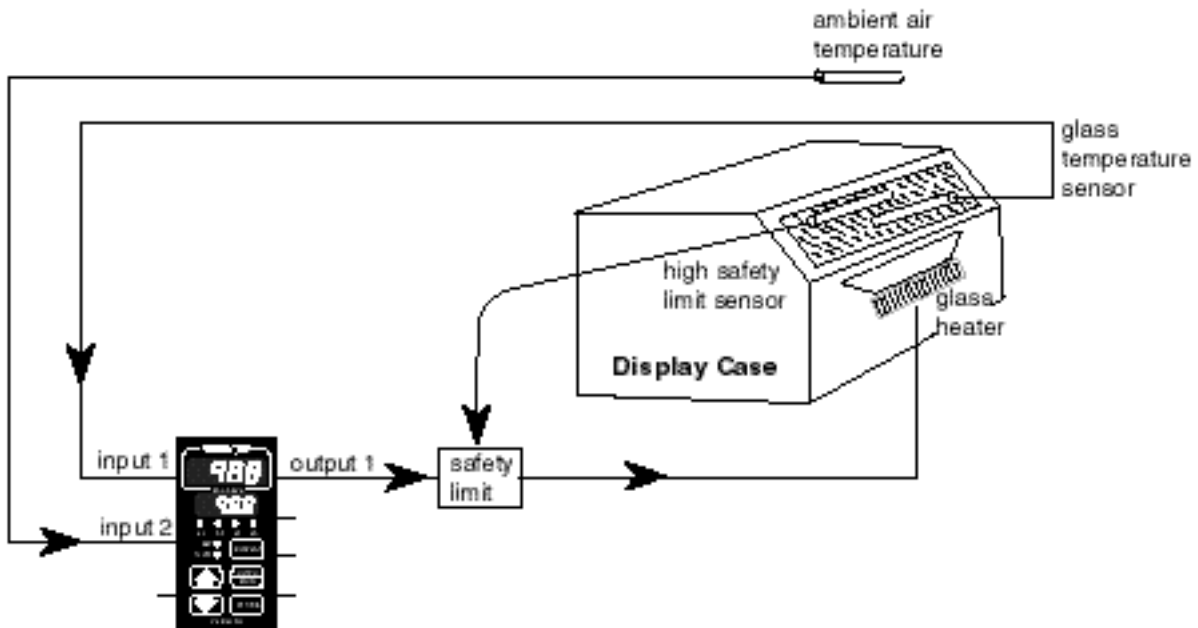


Figure 9.8 - Freezer display case with differential control.

Sample Application

An application using differential control is to maintain glass temperature of a freezer display case above dew point at a differential to the ambient air temperature. A thermocouple at input 2 senses the outside air temperature and adjusts the internal set point to maintain the glass temperature 10 degrees higher. Substituting values we have: glass temperature = ambient + 10°.

In this application the system uses two type J thermocouples: one to sense glass temperature (input 1) and one to sense the ambient air temperature (input 2).

To configure the controller, first enable input 2 (set to). To enable the differential control algorithm set the control prompt in the Global Menu to differential . Press the DISPLAY key. The lower display will read 0, indicating no differential between input 1 and input 2. Adjust the set point to 10. The internal set point for input 1 is now equal to the input 2 value plus 10, which will maintain the boiler water temperature 10 degrees higher than the outside air temperature.

Dual PID Sets

Requirements

The Series 988 controller needs the enhanced software option to use dual PID sets.

Overview

Standard software units have a single set of PID parameters. Units with enhanced software can use two independent sets of heat/cool PID parameters, PID A **[P, dA]** and PID B **[P, dB]**. To enable dual PID, enter the Global Menu and set the algorithm prompt **[AL 90]** to dual PID **[P, d2]**. This second set of PID parameters enables the controller to switch between two sets of PIDs, to compensate for changes in the system characteristics. This need can arise from a variety of circumstances, such as significant set point changes (controlling at 250, then controlling at 750), operating a furnace with half a load versus a full load of steel, changing the speed of a conveyor through a curing oven or using different materials in an extruder.

Series 988 controllers can be configured to switch between PID A and PID B based on a process value, a set point value or the event input status.

- At **[P, d2]** PID 2 Crossover Selection (Global Menu) select what will cause the switch:
 - **[Proc]** Crossover Process Value, (input 1), PIDs will switch based on the crossover process value;
 - **[SP1]** Crossover Set Point (1) Value, PIDs will switch at the crossover set point value, PID A used below the crossover point and PID B above;
 - **[no]** no crossover.
- At **[E, 1]** Event Input 1 or **[E, 2]** Event Input 2 select **[P, d]**:
 - PID A is used when the event input switch is open;
 - PID B when the event input switch is closed.

(Note: One event input is standard on all units, a second event input is an option.)

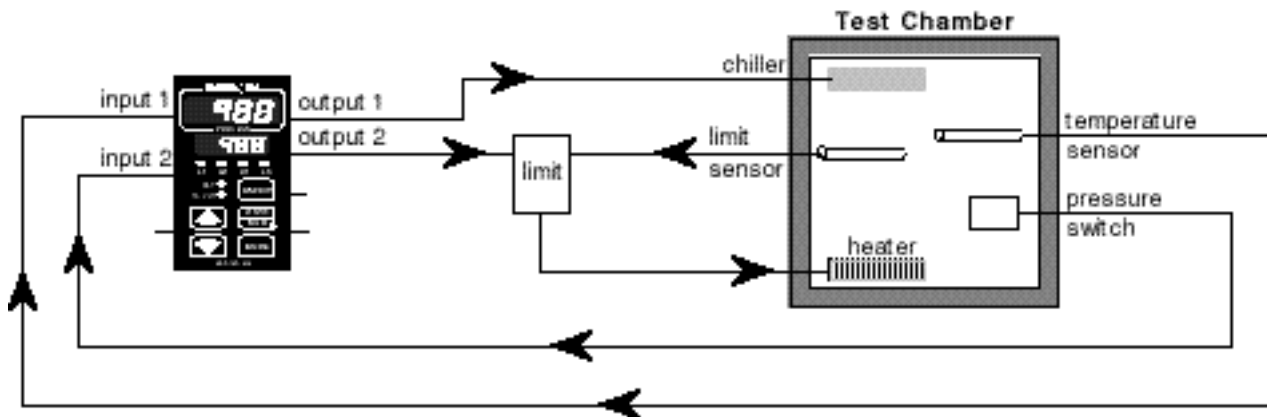


Figure 9.10 - Test chamber controlled with dual PID sets.

Sample Application

A test engineer needs to control the temperature in a test chamber that can be operated at normal atmosphere or under vacuum conditions. If he tunes the controller for normal atmospheric conditions, when he reaches the portion of his test that requires a vacuum, he must stop the test and enter new PID parameters to maintain stable temperatures. The system characteristics are so very different, that one set of PIDs will not give satisfactory results under both normal and vacuum conditions.

The Series 988 solves this problem with the dual PID option. Auto-tuning PID A under normal atmospheric conditions, then auto-tuning PID B under vacuum conditions, establishes PID values for two sets of system characteristics. A pressure switch connected to the event input tells the controller when to switch between PID A and PID B, eliminating the need to change PID values manually.

Duplex

Requirements

The duplex control feature requires enhanced software and a process output.

NOTE:
Duplex applications require a special valve.

Overview

Certain systems require that a single process output control both heating and cooling outputs. A Series 988 controller configured with enhanced software and a process output can function as two separate outputs. With a 4 to 20mA output the heating output will operate from 12 to 20mA (0 to +100 percent) and the cooling output will operate from 12 to 4mA (0 to -100 percent). In some cases this type of output is required by the device that the 988 controls, such as a three-way valve that opens one way with a 12 to 20mA signal and opens the other way with a 4 to 12mA signal. This feature reduces the overall system cost by using a single output to act as two outputs.

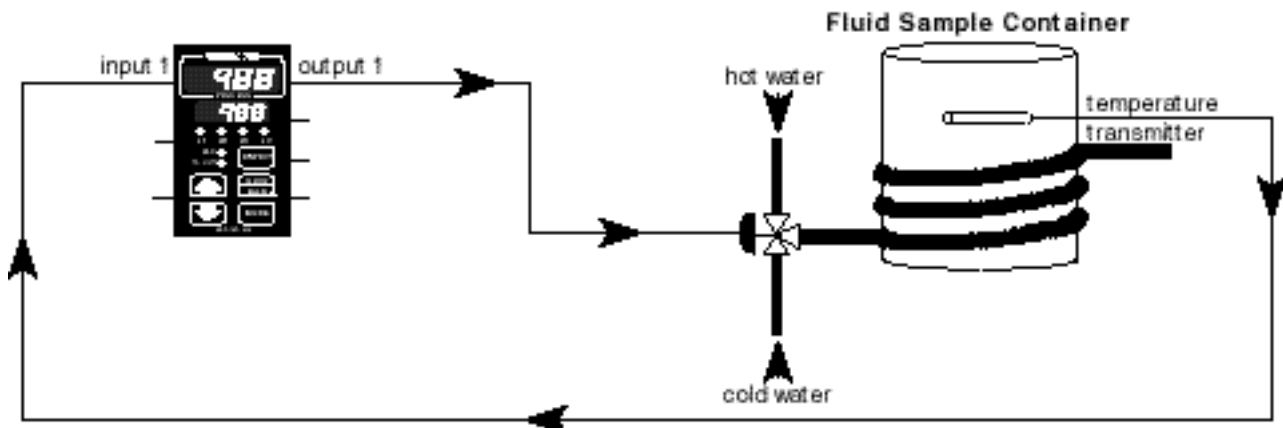


Figure 9.11 - Fluid sample container with duplex control.

Sample Application

The system outlined above uses a three-way valve for heating and cooling a fluid sample. Coils surround the container holding the fluid. When the temperature needs to be raised, the signal to the valve will be between 12 and 20mA, sending hot water through the coils. When cooling is required, the signal will be between 12 and 4mA, sending cold water through the coils.

Ratio

Requirements

Ratio control requires enhanced software. Two analog inputs are required to monitor the process, and at least one output adjusts the controlled part of the process.

Overview

This feature allows the Series 988 to control one process as a ratio of another process. This is especially useful in applications that mix two materials, whether steam, paint or food ingredients.

Input 2 of the controller measures the part of the process that is either uncontrolled or controlled by another device. The part of the process controlled by the 988 will be maintained at a level equal to the quantity measured at input 2 multiplied by the ratio term set by the user. Input 1 monitors the controlled part of the process.

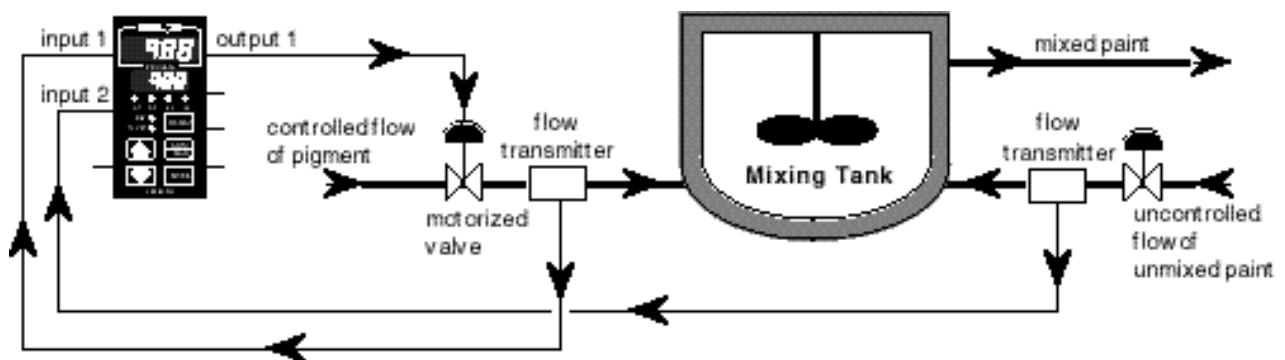


Figure 9.12 - Mixing tank with ratio control.

Sample Application

Blue pigment must be added to paint at a ratio of one part per 100 to create a mixed paint of the desired color. The uncolored paint flows into the mixer in an uncontrolled stream that is set manually and sensed by input 2. A motorized valve controls the flow of pigment, which is monitored by the flow sensor to input 1. The flow rate of the uncolored paint determines the set point for the motorized valve that controls the pigment flow. If an operator needs to change the rate of flow for the uncolored paint, the set point will shift accordingly to maintain the correct ratio in the mixing tank.

The application engineer set up this feature in software by choosing ratio rRt as the control $cntl$ parameter in the Global Menu. The set point value displayed was then a ratio value. He entered 0.01 to maintain an input 1:input 2 ratio of 1:100.