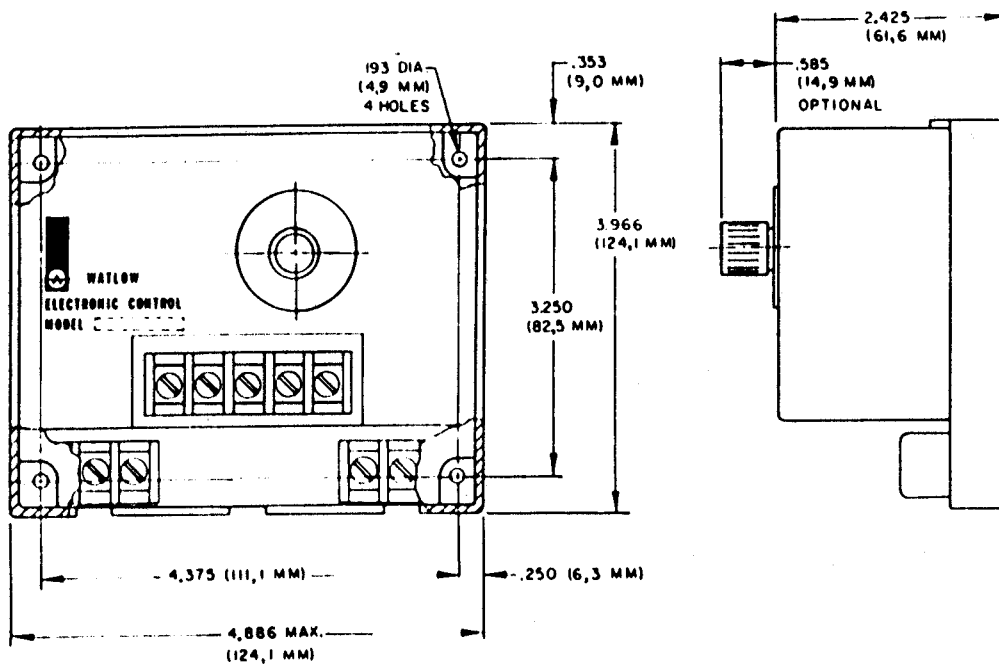


TEMPERATURE CONTROLLER

DATA SHEET

MODEL NO. ZB04-94-1-XXX

11-9-81



SPECIFICATIONS:

CONTROL MODE: Dual outputs with the proportioning automatic reset, rate on both outputs.

OUTPUTS:

HEATING OUTPUT: 1.5 amperes, 120/240 VAC, zero switched, solid state.

COOLING OUTPUT: 1.5 amperes, 120/240 VAC, zero switched, solid state.

LINE VOLTAGE: 120/240 VAC, \pm 20%, 50/60 Hz.

POWER CONSUMPTION: Less than 6 V.A.

OPERATING AMBIENT: +30°F to +130°F.

CONTROL ACCURACY: Typically \pm 0.5°C depending on thermal system design.

TEMPERATURE CONTROLLER

DATA SHEET

MODEL NO. 2B04-94H-XXX

11-2-81



SET POINT SHIFT WITH AMBIENT: Typically less than $\pm 1^\circ\text{F}$ from 50°F to 120°F .

OPEN SENSOR: In the event of an open sensor, heat turns off and cooling output energizes.

ADJUSTMENTS:

PROPORTIONAL BAND:

P.B. - Heat: Adjustable over the range of 5°F to 50°F . ^{or C}

P.B. - Cool: Adjustable over the range of 5°F to 50°F . ^{or C}

AUTOMATIC RESET: Adjustable over the range of .05 to 0.5 repeats per minute. Control amplifier output signal one (1) volt.

RATE: Adjustable over the range of 0 to 5 minutes.

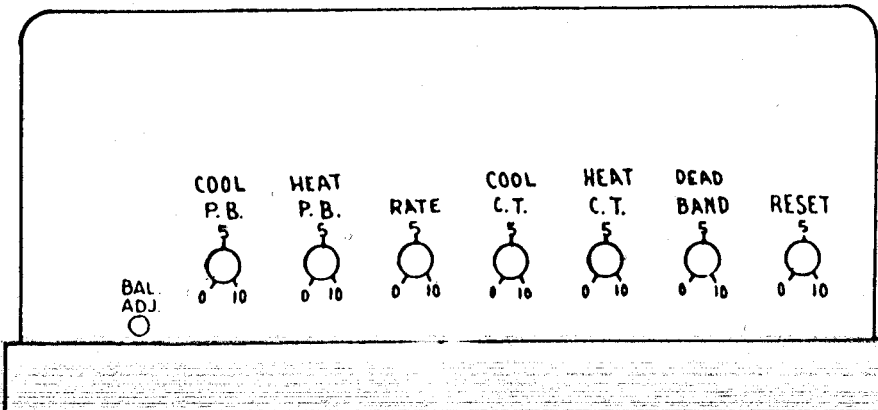
CYCLE TIME:

C.T. - Heat: Adjustable over the range of 2 to 20 seconds.

C.T. - Cool: Adjustable over the range of 2 to 20 seconds.

DEAD BAND: Band between heat off and cool just off. Adjustable over the range of 0 to 5°F . ^{or C}

BALANCE ADJ.: Allows system to be balanced so exact correlation between set point and actual process variable can be attained.





TEMPERATURE CONTROLLER

CONNECTION DIAGRAM

11-9-88

