

Data Communications with the Watlow Series 988 Family of Controllers

User's Manual

Includes:

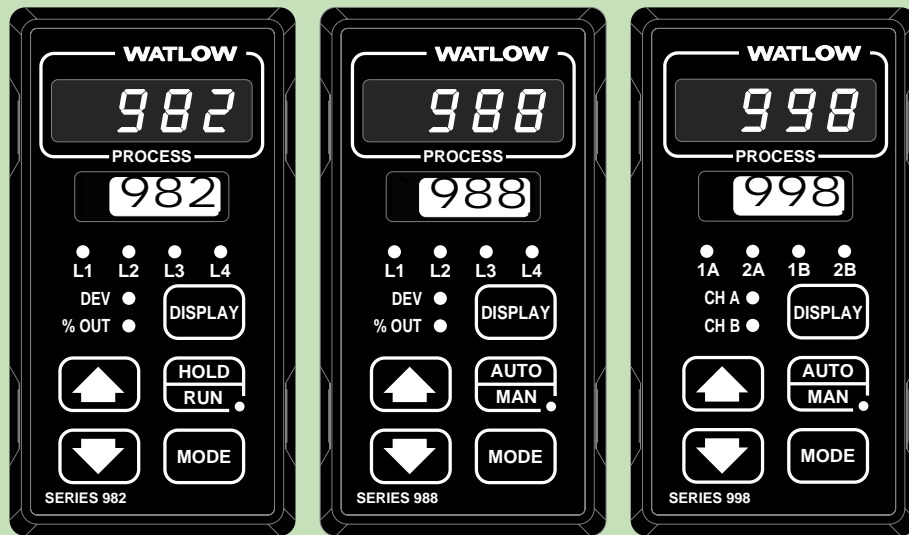
- 981-984 Ramping
- 986-989 Temperature or Process
- 996-999 Dual Channel

User Level Targeted:

- New User..... Go to page 1.1
- Experienced UserGo to page 2.1
- Expert UserGo to page 5.1, 6.1 or 7.1

Installer:

- Wiring and installation..... Go to page 2.1
- Setup..... Go to page 3.1



CE 97

TOTAL
CUSTOMER
SATISFACTION

ISO 9001



Registered Company
Winona, Minnesota USA



1241 Bundy Blvd., P.O. Box 5580, Winona, Minnesota 55987-5580; Phone: (507) 454-5300;
Fax: (507) 452-4507

0600-0009-0004 Rev B
Supersedes: W98F-XUMN Rev A03
February 1998

\$15.00

Made in the U.S.A.



Printed on Recycled Paper, 10% Post-consumer Waste.

About This Manual

How to Use this Manual

We have designed this user's manual to be a helpful guide to your new Watlow controller. The headlines in the upper right and left corners indicate which tasks are explained on that page. If you are a new user, we suggest that you read the first four chapters of this manual.


Notes, Cautions and Warnings

We use notes, cautions and warnings throughout this book to draw your attention to important operational and safety information.

A bold text "**NOTE**" marks a short message in the margin to alert you to an important detail.

A bold text "**CAUTION**" safety alert appears with information that is important for protecting your equipment and performance. **Be especially careful to read and follow all cautions that apply to your application.**

A bold text "**WARNING**" safety alert appears with information that is important for protecting you, others and equipment from damage. **Pay very close attention to all warnings that apply to your application.**

The  symbol (an exclamation point in a triangle) precedes a general CAUTION or WARNING statement.

The  symbol (a lightning bolt in a triangle) precedes an electric shock hazard CAUTION or WARNING safety statement.

Technical Assistance

If you encounter a problem with your Watlow controller, review all of your configuration information for each step of the setup, to verify that your selections are consistent with your applications.

If the problem persists after checking all the steps, call for technical assistance: Watlow Controls, (507) 454-5300, between 7:00 a.m. and 5:00 p.m. Central Standard Time. Ask for an applications engineer. When you call, have the following information ready:

- the controller's model number (the 12-digit number is printed on the top of the stickers on each side of the controller case and on the right hand or top circuit board);
- this user's manual;
- all configuration information;
- the Diagnostics Menu readings.

Comments and Suggestions

We welcome your comments and opinions about this user's manual and the Series 988 family of controllers. Send them to the Technical Editor, Watlow Controls, 1241 Bundy Boulevard, P.O. Box 5580, Winona, MN 55987-5580. Or call (507) 454-5300 or fax them to (507) 452-4507.

Warranty and Returns

For information about the warranty covering the Series 988 family of controllers see the Appendix.

The Data Communications User's Manual for the Series 988 family is copyrighted by Watlow Controls, Inc., © 1997, with all rights reserved. (1385)

Data Communications with the Watlow Series 988 Family of Controllers

Chapter 1

Introduction to Data Communications

- 1.1 Machine-to-Machine Communication
- 1.1 Protocol
- 1.1 A Protocol Example
- 1.3 EIA-232, EIA-485 and EIA-422 Interfaces
- 1.4 ASCII
- 1.4 Parity Bit
- 1.5 Start and Stop Bits
- 1.5 Baud Rate
- 1.5 Computer Languages
- 1.5 Syntax
- 1.6 ASCII Control Character Definitions
- 1.6 Data Communications Conversation

Chapter 2

Hardware and Wiring

- 2.1 Serial Hardware Interfaces
- 2.1 Your Computer's Serial Interface
- 2.2 Communications Wiring
- 2.2 EIA-232 Interface Wiring
- 2.3 EIA-485 Interface Wiring
- 2.4 EIA-422 Interface Wiring

Chapter 3

Communications Setup

- 3.1 Connecting the Controller and Computer
- 3.1 Software Protocols and Device Addresses
- 3.1 Communications Software
- 3.2 Setup at the Controller's Front Panel

Chapter 4

Sending Commands

- 4.1 General Message Syntax
- 4.1 Message Syntax
- 4.1 Data Rules
- 4.1 Command List

- 4.2 Example Format
- 4.2 XON/XOFF Protocol for EIA-232
- 4.2 How to Communicate Using XON/XOFF
- 4.3 How to Communicate Using ANSI X3.28
- 4.4 Device Addresses
- 4.5 ANSI X3.28 Protocol Example
- 4.6 Modbus RTU
- 4.10 Cyclical Redundancy Checksum (CRC) Algorithm

Chapter 5

Command Summary of the Series 981-984

- 5.1 Complete Parameter Download Sequence
- 5.2 Run/Hold Mode and Prompt Accessibility
- 5.3 Ramping Controller Prompt Table
- 5.12 Ramping Controller MTR Command
- 5.13 Ramping Controller STP Command
- 5.14 Ramping Controller Commands Table
- 5.16 982 Modbus RTU Address Table

Chapter 6

Command Summary of the Series 986-989

- 6.1 Complete Parameter Download Sequence
- 6.2 Temperature/process Controller Prompt Table
- 6.13 988 Modbus RTU Address Table

Chapter 7

Command Summary of the Series 996-999

- 7.1 Complete Parameter Download Sequence
- 7.2 Dual Channel Controller Prompt Table
- 7.12 998 Modbus RTU Address Table

Appendix

- A.1 Handling Communications Error Codes
- A.1 User Responsibility
- A.2 ASCII Characters
- A.3 Index

NOTES

Chapter 1 Introduction to Data Communications

NOTE:

This manual applies only to controllers with the data communications option (9___-___-__R__ or 9___-___-__S__ or 9___-___-__U__). Please use it in conjunction with the user's manuals.

Machine-to-Machine Communication

Humans use basic components to exchange messages. Computers and controllers also use certain elements in order to communicate: a character set; a common data link, or interface; and a protocol, to prevent confusion and errors.

Serial communication is the exchange of data one bit at a time on a single data line or channel. Serial contrasts with "parallel" communication, which sends several bits of information simultaneously over multiple lines or channels. Not only is serial data communication typically simpler than parallel, it generally costs less.

Computers need a connecting **interface** over which to communicate. They may use one pair of wires to send information in one direction and another pair to send in the opposite direction (full duplex). Or, they may use one pair to send in both directions (half duplex).

Bit is simply the contraction of "binary digit," either a "1" or a "0." A **byte** is a string of seven or eight bits, which a computer treats as a single "character." The ASCII (pronounced "asky") character set uses a unique, seven-bit byte to represent each letter, digit and punctuation mark.

Protocol

Now we need a few rules to "talk" by. Protocol determines who gets to talk when. A protocol is a set of standards for formatting and timing information exchange between electronic systems.

Protocol describes how to initiate an exchange. It also prevents two machines from attempting to send data at the same time. There are a number of different data communications protocols, just as there are different human cultural protocols that vary according to the situation.

A Protocol Example

Let's assume that we have a computer and controllers linked together. They all use ASCII and are connected via a common interface. In process control applications, one device often has greater function and memory capability than the devices it is communicating with. This "master" device always initiates exchanges between it and the connected "remote" devices.

Here's what happens: Imagine "PC-1," the master computer, sitting at the end of a long hallway with nine doors in it. Each door has a remote device behind it. PC-1 has a telephone line to all the devices. The remote devices are busy controlling heaters to specific set points. PC-1 monitors and changes the instructions that each remote device uses to control its heaters.

By your request PC-1 wants to talk with device "D-2" to change a set point. PC-1 must first identify D-2 on the line and inquire whether D-2 has time to talk. This electronic knocking on D-2's door is the "connection."

One of three scenarios may occur when PC-1 calls:

- 1) D-2 answers saying, "This is D-2, go ahead," and PC-1 begins to talk.
- 2) D-2 answers and says, "I'm too busy to talk now. Wait until I tell you I'm finished."
- 3) D-2 does not answer, which indicates a possible system malfunction.

Let's take the best-case scenario. Here is a simple version of what happens: D-2 answers and hears PC-1 say, "Hello, D-2. Do you have time to talk?"

D-2 acknowledges PC-1 with a "D-2 here, go ahead."

PC-1 then sends an ASCII-encoded message instructing D-2 to change a set point to 1,000°F. (message)

When PC-1 is finished with its message, it says in effect, "That's all, your turn."

D-2 replies, "OK," and carries out the instruction. D-2 then takes the protocol lead, and tells PC-1, "The new set point is 1,000°F." (message)

PC-1 says, "OK."

D-2 says, "That's all, your turn."

PC-1 then takes the protocol lead and says, "Thank you, that's all."

D-2 hangs up. (disconnect)

That's basically how the connect, message and disconnect protocols work in Watlow data communications.

The hallway in this example is really a communications bus — a common connection among a number of separate devices. A communications system with multiple devices on a common bus is called a multidrop system.

The exact connect-message-disconnect procedure assures that you are talking to the correct device.

Protocol maintains system integrity by requiring a response to each message. It's like registered mail — you know that your letter has been received because the post office sends you a signed receipt.

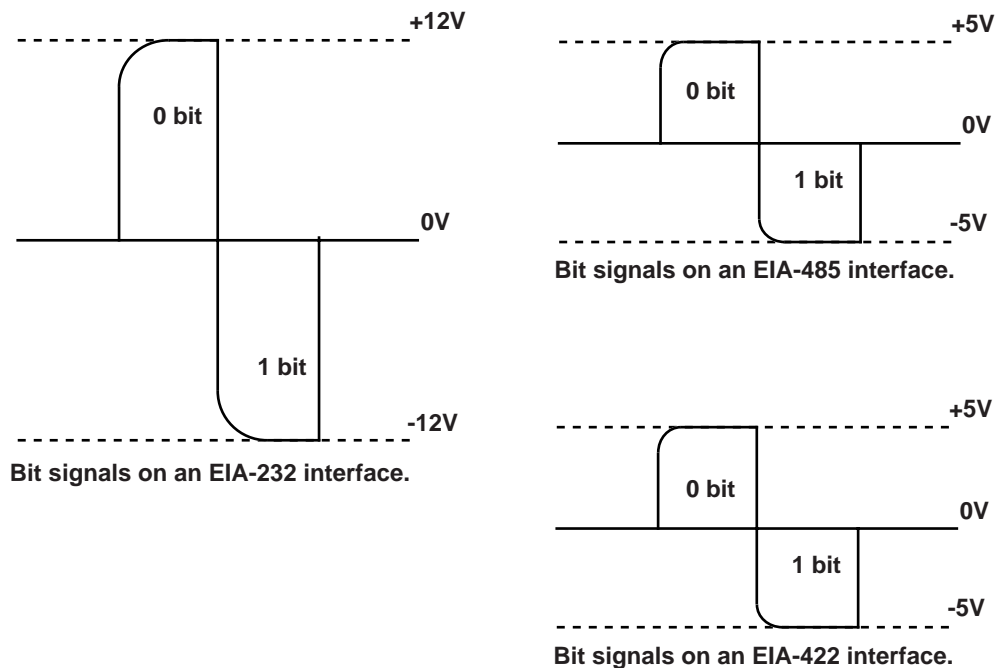
In Watlow data communications, a dialog will continue successfully as long as the messages are in the correct form and responses are returned to the protocol leader. If the operator enters an incorrect message, or interference comes on to the data line, there will be no response. In that case the operator or the master must retransmit the message or go to a recovery procedure. If an operator continues to enter an incorrect message or interference continues on the data line, the system will halt until the problem is resolved.

EIA-232, EIA-485 and EIA-422 Interfaces

The three interfaces we're concerned with on this controller are EIA-232, EIA-485 and EIA-422.

An EIA-232 interface uses three wires: a single transmit wire; a single receive wire; and a common line. Only two devices can use an EIA-232 interface. A -12 volt signal indicates a 1 and a +12 volt signal indicates a 0. The EIA-232 signal is referenced to the common line rather than to a separate wire, as in EIA-485 and EIA-422. An EIA-232 cable is limited to 50 feet, due to noise susceptibility.

Figure 1.3 - Interface bit signals.



An EIA-485 interface uses three wires: a T+/R+; a T-/R-; and a common line. A -5-volt signal is interpreted as a 1, a +5-volt signal as a 0. Up to 32 remote devices can be connected to a master on a multi-drop network up to 4,000 feet long.

The EIA-422 interface uses five wires: a "talk" pair; a "listen" pair; and a common line. It can handle one master and up to ten remote devices in a multidrop network up to 4,000 feet long. EIA-422 uses the difference in voltage between the two wires to indicate a 1 or a 0 bit. A 1 is a difference of -5 volts, while a 0 is a difference of +5 volts.

Of these three interfaces, EIA-485 has the lowest impedance, a multiple-device capability, greatest noise immunity and the longest distance capability — up to 4,000 feet of total network cable length.

ASCII

Table 1.4 - Comparing Interfaces.

	Maximum Net Length	Maximum Controllers	Cable Type
EIA-232	50 feet	1	3-wire
EIA-485	4,000 feet	32	3-wire
EIA-422	4,000 feet	10	5-wire

NOTE:
The Modbus feature on the Series 988 controllers allows up to 247 controllers to share one EIA-485 network, by using network bridges. See Chapter 6 for more information on Modbus.

ASCII

The ASCII code defines 128 separate 7-bit characters — one for each letter, digit and punctuation mark. ASCII also includes control characters similar to those we find on computer keys, like "backspace," "shift" and "return." It also has ten communications control characters for "identification," "enquiry" (inquiry), "start of text," "end of text," "end of transmission," "acknowledge," "negative acknowledge" and "escape."

The ASCII code is sometimes written in a base-16 number system, called hexadecimal or "hex" for short. The first ten digits of this system are represented by the numbers 0 through 9, and the final six digits are represented by the letters A through F. The 128 ASCII character code with the decimal and hexadecimal equivalents is listed in the Appendix.

Parity Bit

Remember that ASCII is a seven- or eight-bit code. What about that eighth bit? It's called the "parity" bit. A parity bit is added to the ASCII character to verify the accuracy of the first seven bits. Here's how: We are declaring that the number of 1s in the 8-bit character frame will be either always odd or always even. To do that, about half the time we'll have to add another 1 to get an odd or an even number of ones. The other half of the time we'll need to add a 0 so we don't change the total number of 1s.

This way we can detect a single error in the seven-bit group. Take a look at the representation of the transmitted upper case "W." In this case we have selected "odd" parity. The number of 1s in the first seven bits, plus the parity bit, must always total an odd number. The total number of 1s in the binary character 1010111 (W) is 5, already an odd number. Thus our parity bit will be a 0.

If we were transmitting the lower case "w" (binary 1110111), the parity bit would be a 1 because the total number of 1's in the character frame is 6, an even number. Adding the parity bit makes it odd, and consistent with the odd parity rule.

If a noise spike came onto the data line and changed the signal voltage level enough to reverse a 1 to a 0 in the character frame, the receiver would detect that

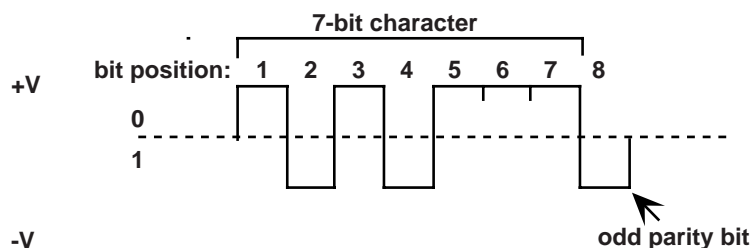


Figure 1.4 - ASCII upper case "W" (1010111).

error. The total number of 1s would be even and a violation of the odd-parity rule.

At Watlow, we use odd, even and no parity.

Odd parity sets the parity bit to 0 if there are an odd number of 1s in the first seven bits.

Even parity sets the parity bit to 0 if there are an even number of 1s in the first seven bits.

No parity ignores the parity bit.

Start and Stop Bits

A "start" bit informs the receiving device that a character is coming, and a "stop" bit tells it that one is complete. The start bit is always a 0. The stop bit is always a 1. We've added the start and stop bits to the transmitted "W" example.

The human speaking equivalent of these bits could be a clearing of the throat to get someone's attention (start bit); and a pause at the end of a phrase (stop bit). Both help the listener understand the message.

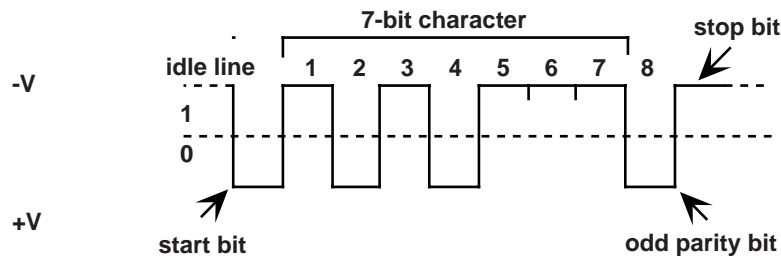


Figure 1.5 - ASCII upper case "W" with start and stop bits.

Baud Rate

The baud rate refers to the speed of data transmission. When a change in signal represents one data bit, baud rate is equal to bits per second (bps). Our rates on the 988 Family of controllers are 300, 600, 1200, 2400, 4800 and 9600 baud.

Computer Languages

Computer languages are simply sets of symbols and rules for their use. There are many computer languages and a wide variety of applications for them. Programmers use languages to enable computers to do real work. We're providing a pilot program written in Quick BASIC to demonstrate data communications with Watlow controllers. You can download the MS-DOS™ version files ("comms4.zip" and "comms4tm.zip" and com5set.exe) from the Watlow BBS, (507) 454-3958.

Syntax

Syntax for a natural language dictates how we put words together to make phrases and sentences. In data communications, syntax also dictates how we order the parts of a message.

For example, the Series 986-989 parameter for set point information is SP1. The controller's panel will normally display SP1 and set point information whenever you physically press the DISPLAY key to reach SP1 in the parameter sequence. For a computer linked to a controller, "SP1" is part of the syntax for data communications.

If you type just "SP1" on the computer keyboard, the controller won't respond to your computer with the current set point 1 data. The syntax requires spaces and "fields" of specific size to be complete.

Plus, we need to add the protocol. It's like putting a message in an envelope and addressing it. The entire syntax of the SP1 command includes the message protocol's STX (Start of Text) control character, SP1, space, up to four decimal places of set-point data, and a protocol ETX (End of Text) control character.

The whole phrase would look like this:

<STX> SP1 0500 <ETX>

ASCII Control Character Definitions

ENQ Enquiry (inquiry): Request for a data link.

ACK Acknowledge: Affirmative response from the receiver.

NAK Negative Acknowledge: Negative response from the receiver.

STX Start of Text: Precedes any message from the sender.

ETX End of Text: Follows any message from the sender.

EOT End of Transmission: Tells the other device that it is its turn to send a message.

DLE Data Link Escape: Disconnect signal from the master to devices on the network.

A Data Communications Conversation

Now that you have a general grasp of the basic ideas and terms behind data communications, we'll take the example further to see how an actual conversation would take place.

The example on the next page follows the exchange between a computer (master) and a controller (remote) as the computer sends a set point data command to the controller.

That's really all there is to it. Remember — only the "master" may initiate exchanges and every message requires a response.

An Example of a Data Communication Conversation

The computer (the master) initiates an exchange with controller #2 (the remote).	<i>computer</i> 2 <ENQ> (#2, are you there?)
	<i>controller</i> 2 <ACK> (I'm #2, I'm here.)

The computer tells the controller to change its set point.	<i>computer</i> <STX> = <space> SP1 <space> 500 <return> <ETX> ("Here comes a message." "Make SP1 = 500°." "I'm done with the message.")
	<i>controller</i> <ACK> ("I understand.")

The computer queries the controller for the new set point.	<i>computer</i> <STX> ? <space> SP1 <return> <ETX> ("Here comes a message." "What is SP1 value?" "I'm done with the message.")
	<i>controller</i> <ACK> ("I understand [the question].")
	<i>computer</i> <EOT> ("That's all, go ahead.")

The controller confirms that the new set point.	<i>controller</i> <STX> 500 <ETX> ("Here comes the answer." "The value is 500°." "I'm done with the answer.")
	<i>computer</i> <ACK> ("I understand [the answer].")
	<i>controller</i> <EOT> ("That's all, go ahead.")

The computer ends the session.	<i>computer</i> <DLE> <EOT> ("Disconnect, please. That's all." [master waits])

Notes

Chapter 2 Hardware and Wiring

Serial Hardware Interfaces

The Series 981-984, 986-989 and 996-999 controllers are factory-configured to function in a broad variety of applications. The specifics of each controller's configuration is encoded in its model number. Depending on your unit's model number, you have one of three hardware interfaces:

NOTE:

This manual applies only to controllers with the data communications option (9 ___ - ___ - ___ - ___ - ___ or 9 ___ - ___ - ___ - ___ - ___ or 9 ___ - ___ - ___ - ___ - ___ - ___). Please use it in conjunction with the user's manuals.

- 1) **EIA-232** (9 ___ - ___ - ___ - ___ - ___ **R** ___) provides one-on-one communication with a maximum network length of 50 feet connecting one controller to one computer.
- 2) **EIA-485** (9 ___ - ___ - ___ - ___ - ___ **S** ___) provides a "multidrop" or multiple-device network with up to 32 addresses with a 4,000-foot network length limit. **EIA-422** provides a multidrop network for up to ten devices with a 4,000-foot network length limit. **To select the multidrop interface**, enter the **Setup Menu** **SEE**. Use the up-arrow or down-arrow key to advance to the **Communications Menu** **COMM**. Press the **MODE** key until the **interface prompt** **IntF** appears. Select either **485** or **422**.
- 3) **EIA-232/EIA-485** (9 ___ - ___ - ___ - ___ - ___ **U** ___) If your controller is supplied with a "U" board, you can select via the comms menu either EIA-232 or EIA-485 operation. The **IntF** parameter is defaulted to EIA-232. **To select the multidrop interface**, enter the **Setup Menu** **SEE**. Use the up-arrow or down-arrow key to advance to the **Communications Menu** **COMM**. Press the **MODE** key until the **interface prompt** **IntF** appears. (Controllers equipped with the EIA-232 interface do not require an interface selection.)

Your Computer's Serial Interface

You can connect a data communication-equipped Series 981-984, 986-989 or 996-999 to any computer with an EIA-422, EIA-232 or EIA-485 serial interface. A personal computer with an EIA-232 serial output card, for instance, can talk to a single EIA-232 equipped controller.

For a multiple-controller network with one personal computer, you'll need a converter to act as a bus, or multiple connection point.

For data communications serial interface converters for EIA-232 (RS-232), we recommend either of these two suppliers:

- **DATAFORTH Corp.** (formerly supplied by Burr-Brown):
3331 E. Hemisphere Loop, Tuscon, AZ 85706
Tel: 1-800-444-7644, or (520) 741-1404 or Fax: (520) 741-0762
For EIA-422 (RS-422), part number: LDM 422
with a power supply and the correct 25 pin connector for your computer.
For EIA-485 (RS-485), part number: LDM 485
with a power supply and the correct 25 pin connector for your computer.
- **B & B Electronics Manufacturing Company**
707 Dayton Road, PO Box 1040, Ottawa, IL 61350
Tel: (815) 433-5100 or Fax: (815) 434-7094 or Web: <http://www.bb-elec.com>
For EIA-422/ EIA-485 (RS-422/ RS-485), part number: 485OIC
with a power supply and the correct 25 pin connector for your computer.

Communications Wiring

The rest of the chapter explains how to connect your controller to a computer. Consult the instruction manual for your computer's serial port or serial card for detailed serial port pin information. Industrial environments often contain a lot of electrical noise. Take care to isolate your control system.

NOTE:
The Electronic Industry Association (EIA) RS-232 standard recommends a maximum 50-foot total point-to-point distance.

EIA-232 Interface Wiring

The EIA-232 communications uses a three-wire, full-duplex system. There is a separate line for transmitting data, a line for receiving data and a common line between the computer and the controller. With EIA-232 you can have only one controller connected to a single computer.

This diagram is a **typical** wiring example. The connections on the host computer may vary, depending on the model. Refer to your computer or serial card user's manual for specific information.

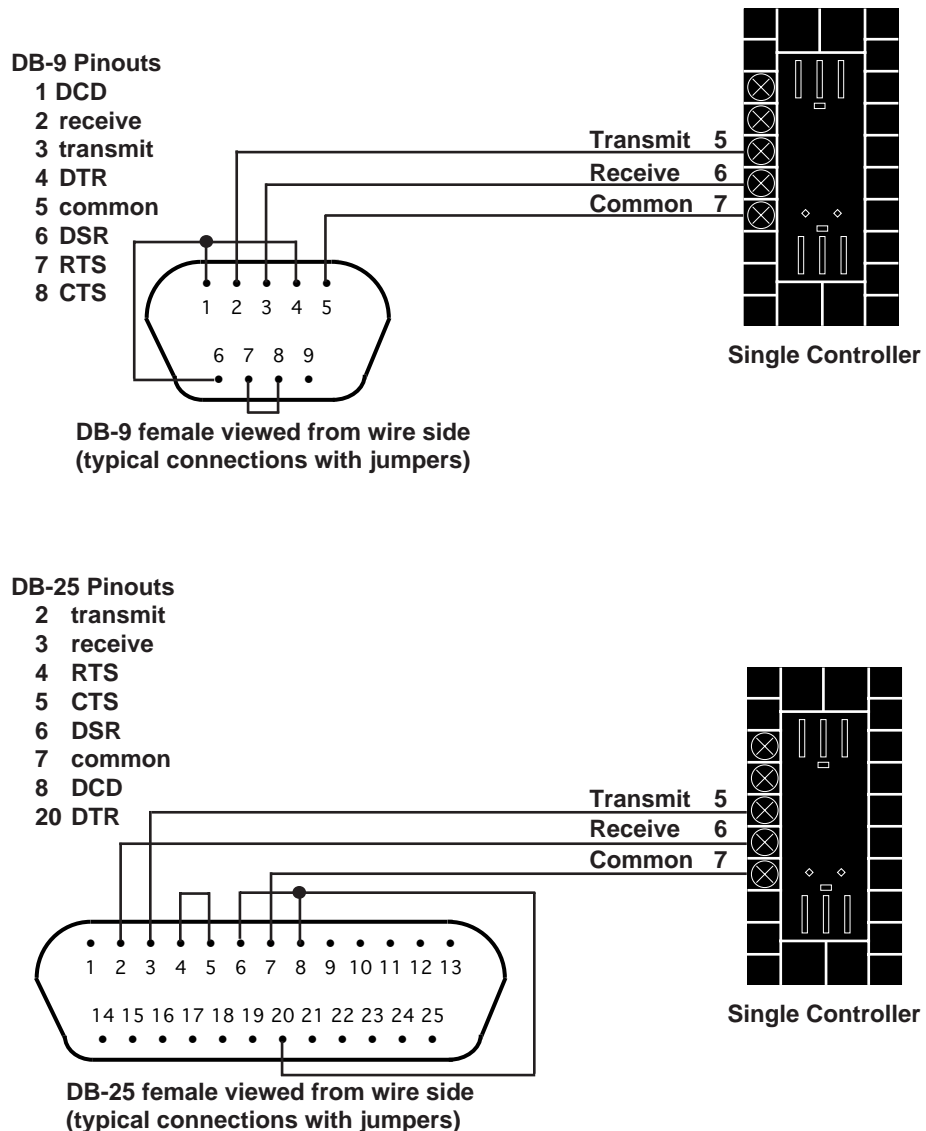


Figure 2.2 - EIA-232 Interface Wiring Diagrams.

EIA-485 Interface Wiring

NOTE:
The Electronic Industry Association EIA-485 standard recommends a maximum total network distance of 4,000 feet.

The EIA-485 communications uses a three-wire, half-duplex system. There are two lines for transmitting and receiving and a common line. Only one device, the computer or a controller, can be speaking at a time. **The controller requires at least a 7-millisecond delay between transmission and receipt of data.** With EIA-485 you can have from one to thirty-two controllers connected to a computer.

This diagram is a **typical** wiring example for units shipped after 1993 (see **⚠ Caution on this page**). The connections on the host computer may vary, depending on the model. Refer to your computer user's manual for specific information.

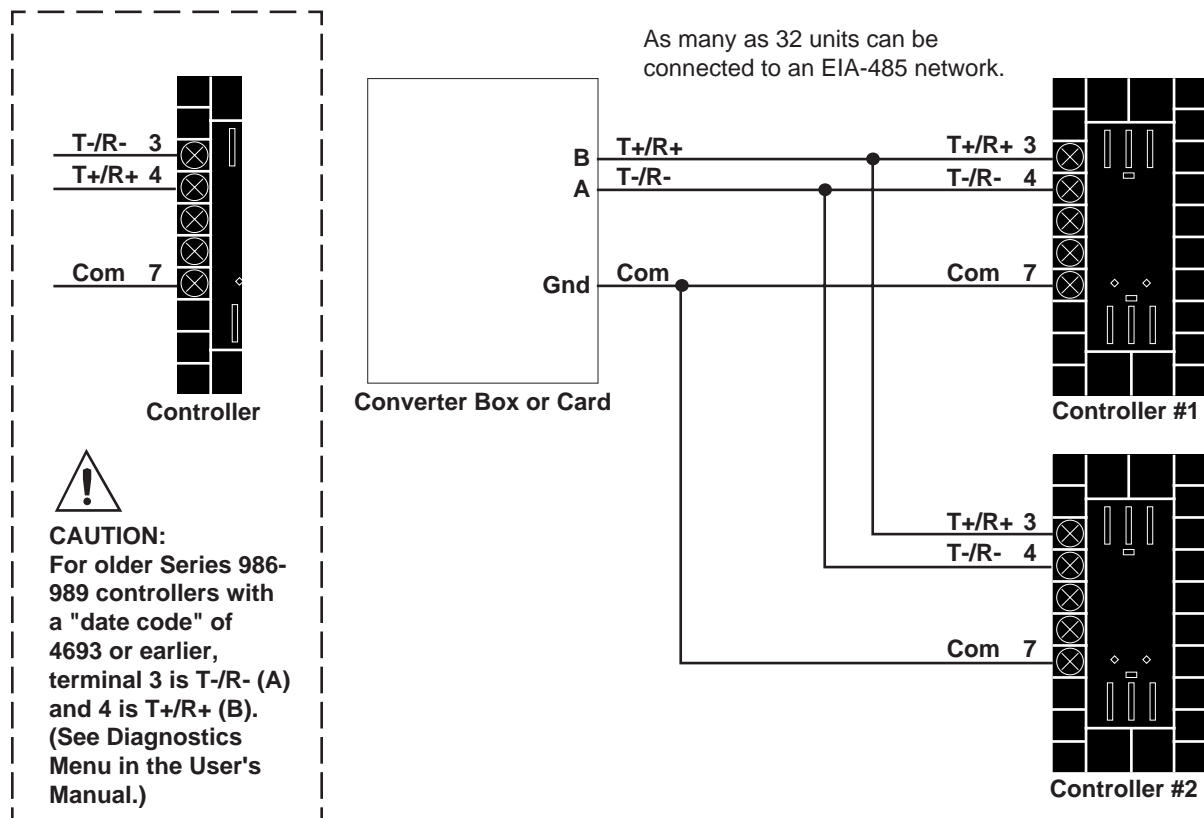
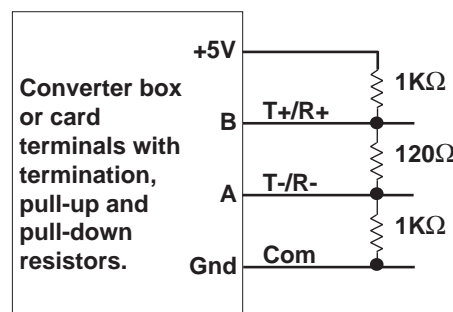


Figure 2.3 - EIA-485 Interface Wiring Diagrams.



If the system does not work properly it may need termination resistors at each end of the network. A typical installation would require a 120-ohm resistor across the transmit/receive terminals (3 and 4) of the last controller in the network and the converter box or serial card. Pull-up and pull-down resistors may be needed to maintain the correct voltage during the idle state.

EIA-422 Interface Wiring

The EIA-422 communications uses a five-wire, full-duplex system. There are two separate lines for transmitting, two lines for receiving and a common line between the computer and the controller. With EIA-422 you can connect from one to ten controllers to a single computer.

This diagram is a **typical** wiring example for units shipped after 1993 (see **Caution on this page**). The connections to the converter box or computer may vary, depending on the model. Refer to the documentation for specific information.

NOTE:
The Electronic Industry Association (EIA) RS-422 standard recommends a maximum network distance of 4,000 feet.

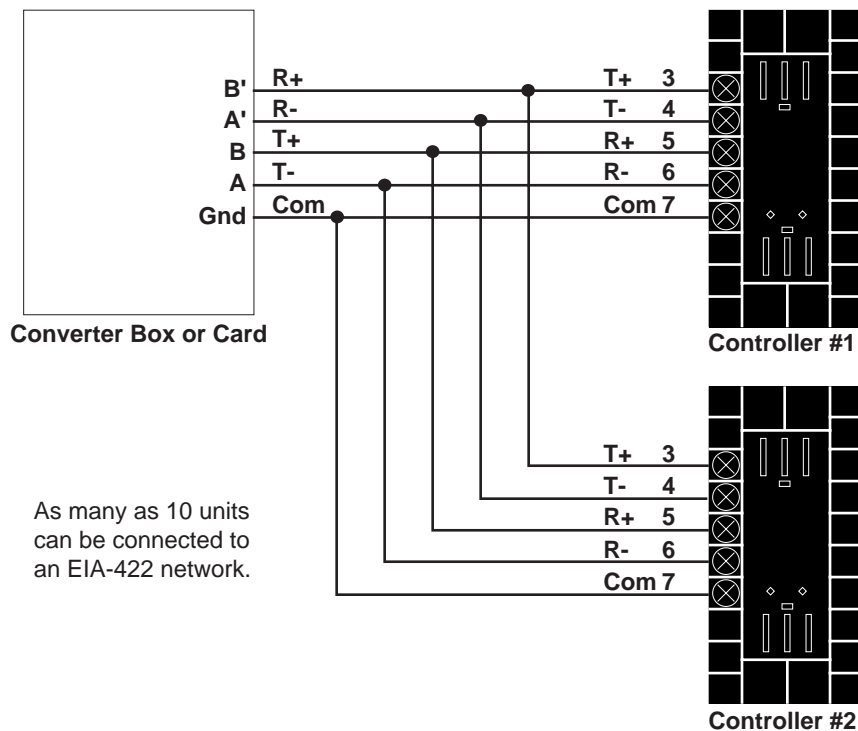

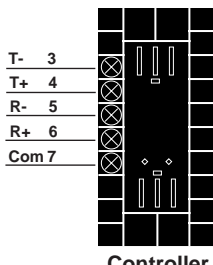


Figure 2.4 - EIA-422 Interface Wiring Diagrams.

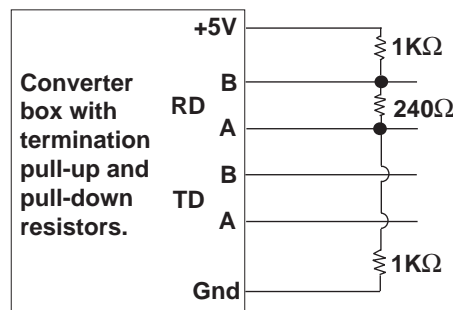


CAUTION:
For older Series 986-989 controllers with a "date code" of 4693 or earlier, terminal 3 is T-, 4 is T+, 5 is R- and 6 is R+.



Controller

(See Diagnostics Menu in the User's Manual.)



If the system does not work properly it may need termination resistors across the receive A and B terminals at the converter. A typical value would be 240Ω. Pull-up and pull-down resistors may be needed to maintain the correct voltage during the idle state.

Chapter 3 Communications Setup

Connecting the Controller and the Computer

Remove power from both the controller and your computer before connecting them together. Assemble a cable and the appropriate wiring at your computer. Refer to the wiring in Chapter 2. As soon as you connect the data communications lines, you may apply power to your system.

Software Protocols and Device Addresses

There are three communications protocols you may use. Depending on the type of network you need, you must use the correct combination of interface and protocol. Modbus works with all three interfaces.

To run a network with multiple devices Watlow uses the **ANSI X3.28 Protocol** (based on ANSI X3.28 - 1976 Subcategories 2.2, and A.3) with the EIA-422 and EIA-485 interface. ANSI X3.28 Protocol provides a response to every message. It will also work with the EIA-232 interface, but you are limited to one controller and a host computer.

To run a two-device network with an EIA-232 interface, you can also use **XON/XOFF Protocol**, a simpler protocol. XON/XOFF will also work with the EIA-422 and EIA-485 interface, **but the network is limited to two devices** — one computer and one controller. XON/XOFF Protocol does not require a device to respond to messages it receives.

To select the protocol, go to the Setup Menu **SET**; use the up-arrow or down-arrow key to advance to the Communications Menu **COMM**. Press the MODE key until the protocol prompt **Prot** appears. Select either **FULL**, for ANSI X3.28 2.2 - A.3, **On** for XON/XOFF, or **Mod**, for Modbus RTU.

If you are using ANSI X3.28 Protocol, choose an address number for each controller using the address prompt **Addr**, which follows the protocol prompt **Prot**. This prompt will only appear if **Prot** is set to **FULL** or **Mod**.

Communications Software

Watlow offers a Windows based configuration and monitoring software package for the 988/989 controllers. We also offer a simple MS-DOS™ communications demonstration program for the Series 981-984, 986-989, and 996-999. Ask your Watlow field sales representative for a copy of the "Comm 4" program, or you can download the files ("comms4.zip" and "comms4tm.zip" and com5set.exe) from the Watlow BBS, (507) 454-3958.

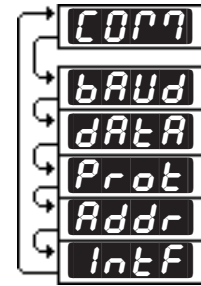
Setup

Figure 3.2 -
The Communications
Menu.



(Communications)

- Baud rate
- Data bits and parity
- Protocol type
- Address
- Interface type



Setup at the Controller's Front Panel

- Press the and keys simultaneously for three seconds.
- The **SET** prompt appears in the lower display.
- Press the or key until the **COM7** prompt appears.
- Press the **MODE** key to advance through the Communications Menu.
- Press the or key to select communications values from the table below.
- Document the setup parameters for each device on your network and label each device.
- Press the **DISPLAY** key to exit.

NOTE:
Selecting **Prot**
automatically sets
dAtA to **8n**.

Prompt	Appears if...	Range	Factory default
bAUD	comms unit	(Baud rate) 300 , 600 , 1200 , 2400 , 4800 , 9600	9600
dAtA	comms unit	7o = 7 data bits, odd parity 7E = 7 data bits, even parity 8n = 8 data bits, no parity (Start bit = 1) (Stop bit = 1)	7o (see note) (Fixed) (Fixed)
Prot	comms unit	FULL = ANSI X3.28 2.2 - A.3 0n = XON / XOFF Prot = Modbus	FULL
Addr	Prot = FULL or Prot = Prot	0 to 31 (ASCII) if IntF = 485 0 to 9 (ASCII) if IntF = 422 1 to 247 if IntF = Prot	0 0 1
IntF	"S" hardware	485 = EIA-485 Interface type 422 = EIA-422 Interface type	485
IntF	"U" hardware	232 = EIA-232 Interface type 485 = EIA-485 Interface type	232

Table 3.2 -
Communications
Menu Prompts and
Descriptions.

Chapter 4 Sending Commands

General Message Syntax

As soon as you link the devices, you can talk to the controllers using ASCII characters. They will respond to any Setup or Operation menu prompt, plus some others. The controller will respond to either upper or lower case ASCII characters from your computer.

Both protocol/interface combinations will respond to the general syntax if the commands or queries are correctly transmitted. However, the ANSI X3.28 Protocol requires beginning and ending characters, and the XON/XOFF protocol requires ending characters.

Message Syntax

Messages from your computer to a controller must take this general form.

Command <space> data.1 <space> data.2 <space> data.3... data.N

"Command" is a character string. The brackets "<" and ">" enclose a non-literal description. The space character, <space> or <sp>, is simply a delimiter, an ASCII space character (hex 20). "Data fields" are prompts and values specific to the command. The number of data fields depends on the particular command. The first argument or parameter is abbreviated, "data.1," the next is "data.2," and so on.

In the syntax explanations that follow, we show you the specific arguments for each command. It will speed the process if you remember this general syntax.

Data Rules

Data fields are prompts and values specific to particular commands. Specific data for each command for each type of controller is listed after this chapter. These rules govern their use:

- Data will include the characters 0 through 9; a decimal point if needed; or a positive or negative sign.
- Data can include up to seven characters. A "+" or "-" sign, if used, must be first.
- Data can use leading zeros, up to the seven-character limit.
- The data.1 portion of message can be up to four total characters.

Command List

These commands, represented by their respective ASCII characters, will enable you to program the controller from your computer. More detailed descriptions of the commands are in Chapters 5, 6 and 7.

- ? Returns the value of a specific prompt from the controller.
- = Sets a specific prompt in the controller to a specific value.



CAUTION:
Avoid writing <=> continuously, such as ramping set points or repetitive loops, to the controller's EEPROM memory. Continuous writes may result in premature control failure, system downtime and damage to processes and equipment.

Example Format

This manual presents command examples in a consistent format. Information bracketed by < > indicates a description, rather than literal characters. We show each ASCII character that you must transmit to the controller, including space between the characters. (A <space>, or <sp>, is itself an ASCII character, hex 20).

For instance, in the example below, you want to set the Alarm 2 Low **A2LO** prompt to 500°. Notice how the syntax uses the "=" command.

= <space> A2LO <space> 500 <carriage return>

To send this message, key the ASCII characters into your computer, or write them into your program. Remember, your computer will send the ASCII character string for the number, not an actual number. The hex string for the line looks like this: 3D2041324C4F203530300D.

Notice that we have not mentioned protocol here, or any characters added to this syntax by a protocol. With XON/XOFF, the message above can be transmitted with only an additional carriage return <cr> (hex 0D) character at the end. However, the ANSI X3.28 Protocol requires an envelope of Start of Text <STX> (hex 02) and End of Text <ETX> (hex 03) characters around the information you see above. You will learn how to do that in the following pages.

XON/XOFF Protocol for EIA-232

XON/XOFF (flow control) protocol allows a communicating device (either a controller or the host) to suspend transmission of all messages from the other device, and then to continue transmission when it's again ready.

The device that needs to suspend transmission sends the XOFF character (hex 13) to stop the other device's transmission, and XON (hex 11) to restart it. Any character will restart the transmission, but to avoid confusion use only the XON character.

Messages transmit according to the syntax described in the XON/XOFF formats that follow for each command.

The XON/XOFF protocol requires a carriage return <cr> character (hex 0D) at the end of every message.

How To Communicate Using XON/XOFF

XON/XOFF protocol is used when one master is networked with only one controller. Your personal computer must generate the master's messages.

"=" Command Example

Master: = <sp> A2LO <sp> 500 <cr> (Set the A2LO prompt value to 500.)

Remote: <XOFF> (This will be returned once the device starts processing. The master must stay off line.)

Remote: <XON> (Processing is done. The master may send a new message.

Note: The commands IN1, IN2 and CF may take up to two seconds to return this character. **Do not send another message until this character is received.**)

"?" Command Example"

Master: ? <sp> A2LO <cr> (Request the A2LO prompt value.)

Remote: <XOFF> (The remote is preparing the response. The master must stay off-line.)

Remote: <XON> 500 <cr> (The value is returned and **the master may send another message once the <cr> is received.**)

or

<XON> (The message was not understood. The master may send a new message.)

For maximum communications speed:

- Do not use a typical delay to wait before looking for a response.
- Scan for returned characters until the correct response is received.
- Use a time out to end a session if a correct response is not received in three seconds.

How to Communicate Using ANSI X3.28

The ANSI X3.28 protocol provides high quality communications by requiring a response to every message. With a multiple-device or "multidrop" network, this protocol prevents confusion among the separate devices. Furthermore, if noise occurs somewhere in the system, no prompt will change because noise cannot comply with the protocol.

By placing messages inside a protocol envelope, the messages are protected. In the following examples you'll see how this works.

ANSI X3.28 protocol rules:

- Every remote device must have a unique address.
- Only the master can initiate a communication session, by addressing a specific remote device.
- Every message must be framed with an <STX> (start of transmission) character and an <ETX> (end of transmission) character.
- The master must wait for the remote device to respond to every message within a reasonable period. If no response occurs, retry the connection or pursue error recovery.



CAUTION:
Avoid writing <=> continuously, such as ramping set points or repetitive loops, to the controller's EEPROM memory. Continuous writes may result in premature control failure, system downtime and damage to processes and equipment.

Device Addresses

A Watlow EIA-422 multidrop network can handle up to 10 devices with this protocol. EIA-485 can handle up to 32 devices. Set the address number of the controller with the address prompt **Addr** under the Setup Menu **SET**.

Address	ASCII Equivalent
0	0
1	1
2	2
3	3
4	4
5	5
6	6
7	7
8	8
9	9
10	A
11	B
12	C
13	D
14	E
15	F
16	G
17	H
18	I
19	J
20	K
21	L
22	M
23	N
24	O
25	P
26	Q
27	R
28	S
29	T
30	U
31	V

**Table 4.4 -
Address to ASCII
Conversion for ANSI
X3.28 Protocol.**

ANSI X3.28 Protocol Example

This example demonstrates communication between a master device and a remote device at address 4. Your personal computer must generate the master's messages.

Establish Communications Link

Master: **4 <ENQ>** (Attempt to link with device 4.)
Remote: **4 <ACK>** (The link is established.)

End Communications Link

Master: **<DLE> <ENQ>** (End data link.)
Remote: No response.

"=" Command Example

Master: **<STX> = <sp> A2LO <sp> 500 <ETX>** (Set A2LO prompt value to 500.)
Remote: **<ACK>** (This will be returned once the unit has completed the value change.
 Note: The commands IN1, IN2 and CF may take up to 2 seconds to return this character.
 Do not send another message until this character is received.)

"?" Command Example

Master: **<STX> ? <sp> A2LO <ETX>** (Request the A2LO prompt value.)
Remote: **<ACK>** (This will be returned once the device has the response ready. Do
 not send the <EOT> until this character has been received.)
 or
 <NAK> (The command was not understood. Re-send corrected message.)

Master: **<EOT>** (The host gives the device permission to respond.)
Remote: **<STX> 500 <ETX>** (The device sends back the requested value. Do not
 send a response until the <ETX> has been received.)

Master: **<ACK>** (The host received the message correctly.)
 or
 <NAK> (The host did not understand the response. Device will re-send it.)
Remote: **<EOT>** (The device returns control to the host. Do not send a new message
 until this character has been received.)

For maximum communications speed:

- Do not use a typical delay to wait before looking for a response.
- Scan for returned characters until the correct response is received.
- Use a time out to end a session if a correct response is not received in three seconds.
 Try again later.
- Protocols are not flexible. Outside of the <STX> <ETX> framing only the defined
 protocol characters are allowed. Some programming languages add <cr> to the end
 of transmissions. This must be disabled.
- End the communications link and re-establish it with <DLE> and <ENQ> only when
 changing to a new device at a different address. The master can communicate
 repeatedly with a specific device once the initial data link is established.

Modbus Remote Terminal Unit (RTU)

Modbus RTU, available on the 988 family of controllers, expands the communications ability of the controller by enabling a computer to read and write directly to registers containing the controller's parameters.

Because of the wide array of choices available for setting up the 988 family of controllers, only a subset of the prompts contain parameters in a given situation. The Series 982, 988 and 998 User's Manuals explain the interrelations between prompts. If you try to write to an inactive prompt the controller will return an illegal data address message (02). (See "Exception Responses," pg. 4.9.)

If you already have a software application that uses Modbus, you can simply skip to the Temperature/process Controller Prompt Table or the Modbus RTU Address Table in this chapter for the address information your program will need. The rest of this section on the Modbus provides information for writing a software application that uses Modbus.

Writing a Modbus Application

You need to code messages in eight-bit bytes, with no parity bit. Negative parameter values must be written in two's complement format. Parameters are stored in two-byte registers accessed with read and write commands to a relative address. Messages are sent in packets that are delimited by a pause at least as long as the time it takes to send 30 bits. To determine this time in seconds, divide 30 by your baud rate.

Because changing some parameters automatically changes or defaults other parameters, use the Complete Parameter Download Sequence table in this chapter to order write commands.

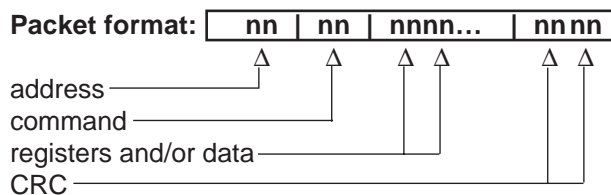
Using a controller address of 0x00 for a write command broadcasts that command to all the controllers in the network. This is a powerful feature if all the controllers on a network use all or most of the same parameters. No response is given to broadcast messages. Be sure to read each control to ensure it has received the command.

Packet Syntax

Each message packet begins with a one-byte controller address, from 0x01 to 0xF7. The second byte in the message packet identifies the message command: read (0x03 or 0x04); write (0x06 or 0x10); or loop back (0x08).

The next n bytes of the message packet contain register addresses and/or data.

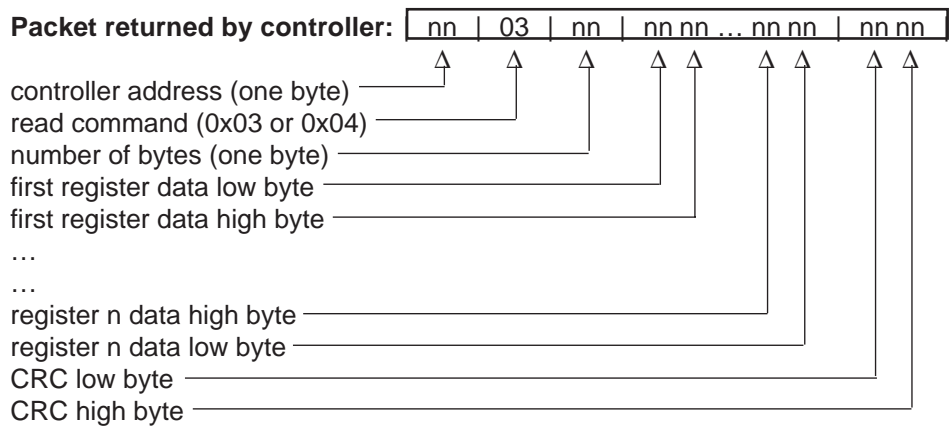
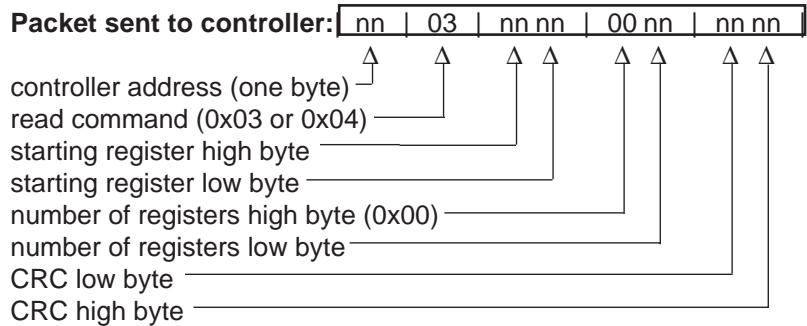
The last two bytes in the message packet contain a two-byte Cyclical Redundancy Checksum (CRC) for error detection.



NOTE:
Modbus register addresses are listed in the Controller Prompt Table later in this chapter and in the Modbus RTU Address Table at the end of this chapter.

Read Multiple Registers Command (0x03 or 0x04)

This command returns from 1 to 32 registers.



NOTE:
 Because the read command can only read 32 registers, the high byte for the number of registers will always be 0.

Example (988 only): Read register 0 (model number) of the controller at address 1.

Sent: 01 03 00 00 00 01 84 0A

Received: 01 03 02 03 DC B9 2D

Message: 988 (0x03DC).

Example (988 only): Read register 1 and 2 (Process 1 and 2 values) of controller at address 5.

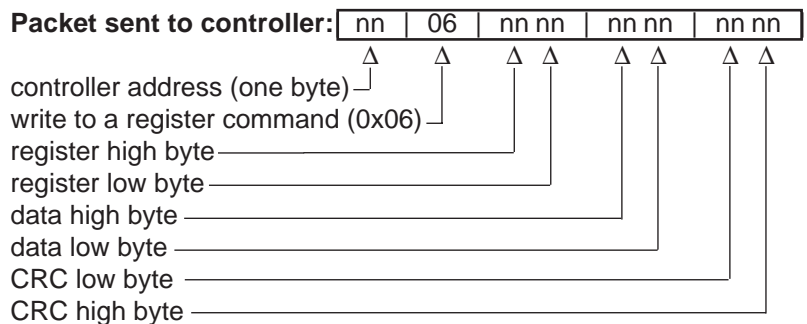
Sent: 05 03 00 01 00 02 94 4F

Received: 05 03 04 00 64 00 C8 FF BA

Message: 100 (0x0064) and 200 (0x00C8).

Write to a Single Register Command (0x06)

This command writes a parameter to a single register. The controller will echo back the command. An attempt to write to a read-only parameter returns an illegal data address error (0x02). (See "Exception Responses," pg. 4.9.)



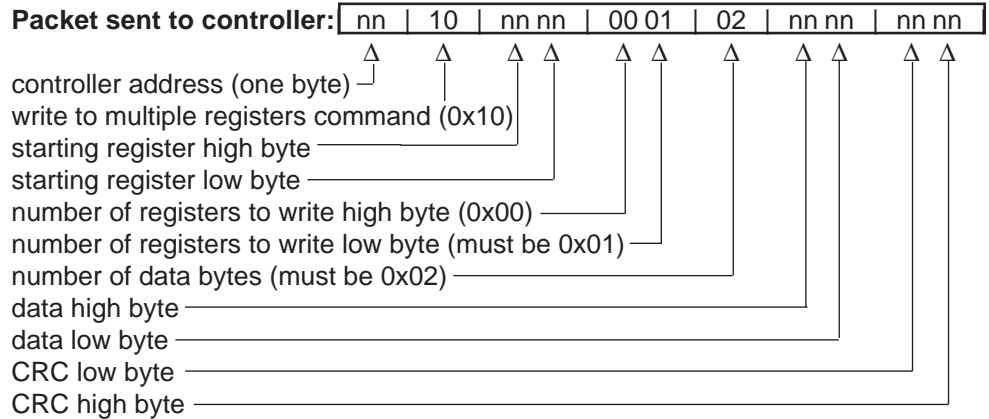
Example (988 only): Set register 7 (SPI) to 200 (0x00C8) on controller at address 9.

Sent: 09 06 00 07 00 C8 38 D5

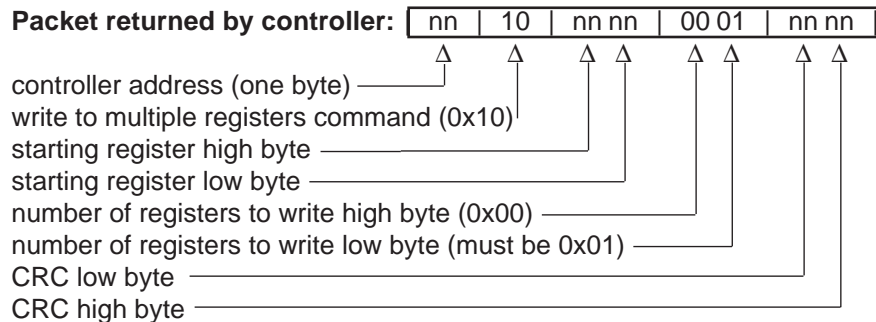
Received: 09 06 00 07 00 C8 38 D5

Write to Multiple Registers Command (0x10)

This command actually writes a parameter to only a single register. An attempt to write to a read-only parameter returns an illegal data address error (0x02). (See "Exception Responses," pg. 4.9.)

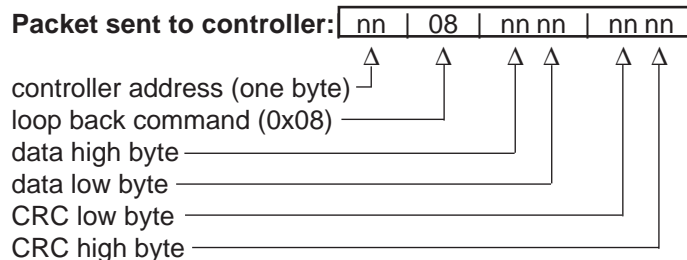


NOTE:
Because the read command can only read 32 registers, the high byte for the number of registers will always be 0.



Loop Back Command (0x08)

This command simply echoes the message. This serves as a quick way to check your wiring.



Example: Run loop back test on controller at address 40 (0x28).

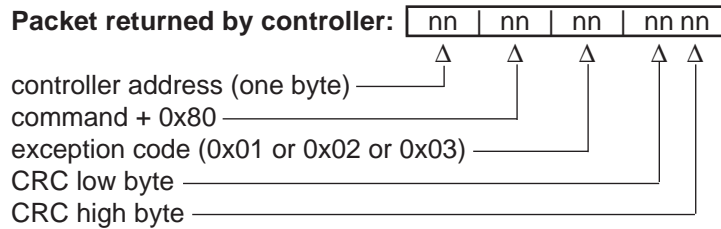
Sent: 28 08 55 66 77 88 31 B7

Received: 28 08 55 66 77 88 31 B7

Exception Responses

When a controller cannot process a command it returns an exception response and sets the high bit (0x80) of the command.

- 0x01 illegal command
- 0x02 illegal data address
- 0x03 illegal data value



Messages with the wrong format, timing or CRC are ignored. A read command sent to an inactive parameter returns 0x0000.

Example: Exception 01 - Command 02 is not supported.

Sent: 01 02 00 01 00 02 A8 0B
 Received: 01 82 01 81 60

Example: Exception 02 - The parameter at register 45 (0x002D) is inactive.

Sent: 01 06 00 2D 00 01 D8 C3
 Received: 01 86 02 C3 A1

Example: Exception 03 - Cannot write 12,000 (0x2EE0) to register 7, out of range, illegal data value.

Sent: 01 06 00 07 2E E0 24 23
 Received: 01 86 03 02 61

Cyclical Redundancy Checksum (CRC) Algorithm

This C routine, `calc_crc()`, calculates the cyclical redundancy checksum, CRC, for a string of characters. The CRC is the result of dividing the string by 0xA001. Modbus applications calculate the packet's CRC then append it to the packet.

```
#define POLYNOMIAL 0xA001;

unsigned int calc_crc(unsigned char *start_of_packet, unsigned char
*end_of_packet)
{
    unsigned int crc;
    unsigned char bit_count;
    unsigned char *char_ptr;

    /* Start at the beginning of the packet */

    char_ptr = start_of_packet;

    /* Initialize CRC */

    crc = 0xffff;

    /* Loop through the entire packet */

    do{
        /* Exclusive-OR the byte with the CRC */

        crc ^= (unsigned int)*char_ptr;

        /* Loop through all 8 data bits */

        bit_count = 0;
        do{

            /* If the LSB is 1, shift the CRC and XOR the polynomial mask with the CRC */

            if(crc & 0x0001){
                crc >>= 1;
                crc ^= POLYNOMIAL;
            }

            /* If the LSB is 0, shift the CRC only */

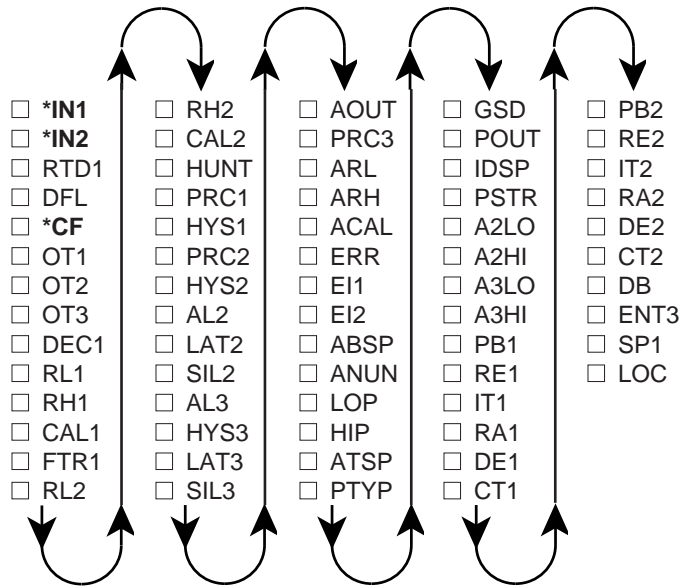
            else{
                crc >>= 1;
            }
        } while(bit_count++ < 7);
    } while(char_ptr++ < end_of_packet);
    return(crc);
}
```

NOTE:
When the CRC is added to the message packet be sure to put the low byte before the high byte.

Chapter 5 Command Summary of the Series 981-984

Complete Parameter Download Sequence

When you download a complete set of parameters to a controller, **you must load them in this order**. The user's manual has more information about prompt interaction.



CAUTION:
Entering out of sequence will produce unexpected results, because some prompts change the values of other prompts. Copy this page and use the checkboxes.

Table 5.1 - Download Sequence.

* Wait at least two seconds after executing this command before going on to the next command.



CAUTION:
Sending the Series 981-984 an invalid prompt for its present mode (run or hold) will result in a data communication error code ER2. Use the RHS prompt to monitor the controller mode.

**Table 5.2 -
Run/Hold Mode
Commands.**

Run/Hold Mode and Prompt Accessibility

Most Series 981-984 prompts are accessible via data communications while the controller is in its hold mode. Several are accessible when the controller is in either run or hold. A few are accessible only in the run mode. You can monitor the controller's mode with the RHS command.

Table 5.2 identifies the prompts accessible in run or hold, and those available in run only. Others not specifically identified are accessible in the hold mode only.

RUN Only Mode	RUN or HOLD MODE
? CSP	? ALM
? EJC	? C1
? ENSP	? C2
? MTR*	? ENT3
= HOLD 1	? ENT4
	? ER
	? ER2
	? RHS
	? SP1
	? DEV**
	? MTR**
	? PWR**
	= MOD x
	= SP1

Resetting the communication parameters is valid only in the hold mode.

* This command is accessible only in the run mode for software revisions before and including REV H.

** These commands are accessible in the run and hold modes for software revisions after and including REV I.

Ramping Controller Prompt Table

Command Summary Series 981-984 Data Communications

Table 5.3 -
A2HI to AMB

Name data.1 Modbus Address	Description	Read (?) and/or Write (=) Syntax	Range data.2
A2HI 322	Output 2 Alarm High	? <sp> A2HI <cr> = <sp> A2HI <sp> data.2 <cr>	Process: A2LO to sensor high range Deviation: 0 to 9999° Rate: 0 to 9999°/minute Default: RH, 999°, or 999°/min.
A2LO 321	Output 2 Alarm Low	? <sp> A2LO <cr> = <sp> A2LO <sp> data.2 <cr>	Process: sensor low range to A2HI Deviation: -999 to 0° Rate: -999 to 0°/minute Default: RL, -999°, or -999°/min.
A3HI 341	Output 3 Alarm High	? <sp> A3HI <cr> = <sp> A3HI <sp> data.2 <cr>	Process: A3LO to sensor high range Deviation: 0 to 9999° Rate: 0 to 9999°/minute Default: RH, 999°, or 999°/min.
A3LO 340	Output 3 Alarm Low	? <sp> A3LO <cr> = <sp> A3LO <sp> data.2 <cr>	Process: sensor low range to A3HI Deviation: -999 to 0° Rate: -999 to 0°/minute Default: RL, -999°, or -999°/min.
ABSP 1211	Abort Set Point	? <sp> ABSP <cr> = <sp> ABSP <sp> data.2 <cr>	off RL to RH
ACAL 746	Calibration Offset for Retransmit Output	? <sp> ACAL <cr> = <sp> ACAL <sp> data.2 <cr>	-999°F to 999°F -555°C to 555°C 999 to 999 units Default: 0°F, 0°C, or 0 units
AL2 719	Alarm 2 Type	? <sp> AL2 <cr> = <sp> AL2 <sp> data.2 <cr>	0 = Process Alarm, Input 1 1 = Deviation Alarm, Input 1 2 = Rate Alarm, Input 1 Default: 0
AL3 736	Alarm 3 Type	? <sp> AL3 <cr> = <sp> AL3 <sp> data.2 <cr>	0 = Process Alarm, Input 1 1 = Deviation Alarm, Input 1 2 = Rate Alarm, Input 1 Default: 0
ALM 106 or 110	Alarm Status (Writing a 0 clears next alarm.)	? <sp> ALM <cr> = <sp> ALM <sp> 0 <cr>	0 = No alarms occurring (0000 0000) Bit 1 = A2LO (0000 0001) Bit 2 = A2HI (0000 0010) Bit 3 = A3LO (0000 0100) Bit 4 = A3HI (0000 1000) 106 = Alarm 2 0 = off 1 = HI 2 = LO 110 = Alarm 3 0 = off 1 = HI 2 = LO
AMB 1500	Ambient Terminal Temperature	? <sp> AMB <cr>	Input 1 terminals in 0.0°F



CAUTION:
Avoid writing <=> continuously, such as ramping set points or repetitive loops, to the Series 981-984 EEPROM memory. Continuous writes may result in premature control failure, system downtime and damage to processes and equipment.

NOTE:
The number of decimal places returned by many of these commands is determined by the DEC1 or IN1 setting. (This does not apply to Modbus Protocol.)

Ramping Controller Prompt Table

Table 5.4 -
ANUN to DE1



CAUTION:
Avoid writing <=> continuously, such as ramping set points or repetitive loops, to the Series 981-984 EEPROM memory. Continuous writes may result in premature control failure, system downtime and damage to processes and equipment.

NOTE:
The number of decimal places returned by many of these commands is determined by the DEC1 or IN1 setting. (This does not apply to Modbus Protocol.)

Name data.1 Modbus Address	Description	Read (?) and/or Write (=) Syntax	Range data.2
ANUN 725	Alarm Annunciation	? <sp> ANUN <cr> = <sp> ANUN <sp> data.2 <cr>	0 = off 1 = on Default: on
AOUT 743	Analog Output 3 Retransmit Function	? <sp> AOUT <cr> = <sp> AOUT <sp> data.2 <cr>	0 = Retransmit Process Input 1 1 = Retransmit Set Point 1 2 = off 3 = Retransmit Process Input 2 Default: 0
ARH 745	Retransmit Range High	? <sp> ARH <cr> = <sp> ARH <sp> data.2 <cr>	ARL to 9999 Default: RH1 or RH2 per AOUT
ARL 744	Retransmit Range Low	? <sp> ARL <cr> = <sp> ARL <sp> data.2 <cr>	-999 to ARH Default: RL1 or RL2 per AOUT
ATSP 304	Auto-tune Set Point %	? <sp> ATSP <cr> = <sp> ATSP <sp> data.2 <cr>	50 to 150% Default: 90%
AUT 305	Auto-tune	? <sp> AUT <cr> = <sp> AUT <sp> data.2 <cr>	0 = No auto-tuning 1 = Tune PID Default: off
C1 100	Input 1 Value	? <sp> C1 <cr>	Based on IN1 range ; RL1 to RH1
C2 104	Input 2 Value	? <sp> C2 <cr>	Based on IN2 range ; RL2 to RH2
CAL1 605	Input 1 Calibration Offset	? <sp> CAL1 <cr> = <sp> CAL1 <sp> data.2 <cr>	-999°F to 999°F -555°C to 555°C -999 units to 999 units Default: 0
CAL2 615	Input 2 Calibration Offset	? <sp> CAL2 <cr> = <sp> CAL2 <sp> data.2 <cr>	-999°F to 999°F -555°C to 555°C -999 units to 999 units Default: 0
CF 901	Degrees Select Display Loop	? <sp> CF <cr> = <sp> CF <sp> data.2 <cr>	0 = Display °F 1 = Display °C Default: 0
CSP 1202	Current Profile Set Point	? <sp> CSP <cr>	RL1 to RH1
CT1 506	Cycle Time Output 1	? <sp> CT1 <cr> = <sp> CT1 <sp> data.2 <cr>	S.S. relay or open col: 0.0 = Burst firing, or 0.1 to 999.9 sec. (time prop) Mech relay: 5.0 to 999.9 sec. Default: 1.0 or 10.0 sec.
CT2 516	Cycle Time Output 2	? <sp> CT2 <cr> = <sp> CT2 <sp> data.2 <cr>	S.S. relay or open col: 0.0 = Burst firing, or 0.1 to 999.9 sec. (time prop) Mech relay: 5.0 to 999.9 sec. Default: 1.0 or 10.0 sec.
DATE 5	Factory Test Date	? <sp> DATE <cr>	xxyy xx = week yy = year
DB 505	Dead Band PID Heat/Cool	? <sp> DB <cr> = <sp> DB <sp> data.2 <cr>	-999°F to 999°F -555°C to 555°C -999 units to 999 units Default: 0°F, 0°C, or 0 units
DE1 503	Derivative Output 1 PID	? <sp> DE1 <cr> = <sp> DE1 <sp> data.2 <cr>	0.00 to 9.99 minutes Default: 0.00

Ramping Controller Prompt Table

981, 982, 983, 984

Name data.1 Modbus Address	Description	Read (?) and/or Write (=) Syntax	Range data.2
DE2 513	Derivative Output 2 PID	? <sp> DE2<cr> = <sp> DE2 <sp> data.2 <cr>	0.00 to 9.99 minutes Default: 0.00
DEC1 606	Decimal Point Process Input 1	? <sp> DEC1 <cr> = <sp> DEC1 <sp> data.2 <cr>	0 = Decimal point 0 1 = Decimal point 0.0 2 = Decimal point 0.00 3 = Decimal point 0.000 Default: 0
DEV 211	Process Deviation Display Loop (IN 1)	? <sp> DEV <cr>	Difference between SP1 and C1
DFL 900	Default Unit Type	? <sp> DFL <cr> = <sp> DFL <sp> data.2 <cr>	0 = US units 1 = Standard international units
E11 1060	Event Input 1 Function	? <sp> E11 <cr> = <sp> E11 <sp> data.2 <cr>	0 = None 1 = Lock out keyboard 2 = Alarm reset 3 = Turn control outputs off 4 = Hold profile 5 = Start file 1 6 = Start file 2 7 = Start file 3 8 = Start file 4 9 = ABSP 10 = Pause 11 = Waitfor Event Default: 0
E11S 201	Event Input 1 Status	? <sp> E11S <cr>	0 = Open (off) 1 = Closed (on)
E12 1062	Event Input 2 Function	? <sp> E12 <cr> = <sp> E12 <sp> data.2 <cr>	0 = None 1 = Lock out keyboard 2 = Alarm reset 3 = Turn control outputs off 4 = Hold profile 5 = Start file 1 6 = Start file 2 7 = Start file 3 8 = Start file 4 9 = ABSP 10 = Pause 11 = Waitfor Event Default: 0
E12S 213	Event Input 2 Status	? <sp> E12S <cr>	0 = Open (off) 1 = Closed (on)
EJC 1203	Elapsed Jump Count	? <sp> EJC <cr>	0 to 255
ENSP 1204	End Set Point	? <sp> ENSP <cr>	RL1 to RH1
ENT3 1268	Event 3 Output State	? <sp> ENT3 <cr> = <sp> ENT3 <sp> data.2 <cr>	0 = off 1 = on
ER 209	Error, Analog Input (Multiple errors possible.)	? <sp> ER <cr>	0 = No error 1 = Input 1 A-D overflow 2 = Input 1 overrange 3 = Input 1 underrange 4 = Input 1 A-D underflow 5 = Input 2 A-D overflow 6 = Input 2 overrange 7 = Input 2 underrange 8 = Input 2 A-D underflow 9 = Ambient error

Table 5.5 -
DE2 to ER



CAUTION:
Avoid writing <=>
continuously, such
as ramping set
points or repetitive
loops, to the
Series 981-984
EEPROM memory.
Continuous writes
may result in
premature control
failure, system
downtime and
damage to pro-
cesses and
equipment.

NOTE:
The number of
decimal places
returned by many
of these com-
mands is deter-
mined by the DEC1
or IN1 setting.
(This does not
apply to Modbus
Protocol.)

Ramping Controller Prompt Table

Table 5.6 -
ER2 to HYS3



CAUTION:
Avoid writing <=> continuously, such as ramping set points or repetitive loops, to the Series 981-984 EEPROM memory. Continuous writes may result in premature control failure, system downtime and damage to processes and equipment.

NOTE:
The number of decimal places returned by many of these commands is determined by the DEC1 or IN1 setting. (This does not apply to Modbus Protocol.)

Name data.1 Modbus Address	Description	Read (?) and/or Write (=) Syntax	Range data.2
ER2 n/a	Error, Communications	? <sp> ER2 <cr>	0 = No error 1 = Transmit buffer overflow 2 = Receive buffer overflow 3 = Framing error 4 = Overrun error 5 = Parity error 6 = Talking out of turn 7 = Invalid reply error 8 = Noise error 20 = Command not found 21 = Prompt not found 22 = Incomplete command line 23 = Invalid character 24 = Number of chars. overflow 25 = Input out of limit 26 = Read only command 27 = Write allowed only 28 = Prompt not active 30 = Request to RUN invalid 31 = Request to HOLD invalid 32 = Command invalid in RUN Mode 33 = Command invalid in HOLD Mode 34 = Output 3 is not an Event 35 = Output 4 is not an Event 38 = Asterisk not allowed 39 = Infinite loop error
ERR 607	Error, Latching Enable	? <sp> ERR <cr> = <sp> ERR <sp> data.2 <cr>	0 = Errors latching 1 = Errors non-latching Default: 1
FTR1 604	Filter Time Constant Process Input 1	? <sp> FTR1 <cr> = <sp> FTR1 <sp> data.2 <cr>	-60 to 60 seconds Default: 0
GSD 1205	Guaranteed Soak Deviation	? <sp> GSD <cr> = <sp> GSD <sp> data.2 <cr>	0°F to 999°F 0°C to 999°C 0 to 999 units 0 = (disabled) Default: 0°F, 0°C, or 0 units
HIP 714	High Power Limit	? <sp> HIP <cr> = <sp> HIP <sp> data.2 <cr>	LOP (%) to 100% Default: 100 (heat/cool) Default: 0 (cool only)
HOLD 1210	Simulate HOLD Key Press	= <sp> HOLD <sp> data.2 <cr>	1 = Holds current file# and step#
HUNT 1905	Slidewire Dead Band %	? <sp> HUNT <cr> = <sp> HUNT <sp> data.2 <cr>	0.1% to 100.0% Default: 1.0%
HYS1 507	Output 1 Hysteresis	? <sp> HYS1 <cr> = <sp> HYS1 <sp> data.2 <cr>	0°F to 999°F 0°C to 555°C 0 units to 999 units Default: 3°F, 2°C, or 3 units
HYS2 517 720	Output 2 Hysteresis	? <sp> HYS2 <cr> = <sp> HYS2 <sp> data.2 <cr>	0°F to 999°F 0°C to 555°C 0 units to 999 units Default: 3°F, 2°C, or 3 units
HYS3 737	Output 3 Hysteresis	? <sp> HYS3 <cr> = <sp> HYS3 <sp> data.2 <cr>	0°F to 999°F 0°C to 555°C 0 units to 999 units Default: 3°F, 2°C, or 3 units

Ramping Controller Prompt Table

981, 982, 983, 984

Table 5.7 -
IDSP to LAT3

Name data.1 Modbus Address	Description	Read (?) and/or Write (=) Syntax	Range data.2
IDSP 308	Idle Set Point After Power Outage	? <sp> IDSP <cr> = <sp> IDSP <sp> data.2 <cr>	RL1 to RH1
IN1 601	Input 1 Type Caution: Writing to IN1 or IN2 resets most prompts to their default values.	? <sp> IN1 <cr> = <sp> IN1 <sp> data.2 <cr>	1 = J t/c; 32 to 1500°F/0 to 816°C 2 = K t/c; -328 to 2500°F/-200 to 1371°C 3 = T t/c; -328 to 750°F/-200 to 399°C 4 = N t/c; 32 to 2372°F/0 to 1300°C 5 = E t/c; -328 to 1470°F/-200 to 799°C 6 = C t/c (W3); 32 to 4200°F/0 to 2316°C 7 = D t/c (W5); 32 to 4200°F/0 to 2316°C 8 = Pt 2; 32 to 2543°F/0 to 1395°C 10 = R t/c; 32 to 3200°F/0 to 1760°C 11 = S t/c; 32 to 3200°F/0 to 1760°C 12 = B t/c; 1598 to 3300°F/870 to 1816°C 14 = 1° RTD (DIN); -328 to 1472°F/-200 to 800°C 15 = 0.1° RTD (DIN); -99.9 to 999.9°F/-99.9 to 700.0°C 17 = 4-20mA; -999 to 9999 units 18 = 0-20mA; -999 to 9999 units 19 = 0-5V _{rms} (dc); -999 to 9999 units 20 = 1-5V _{rms} (dc); -999 to 9999 units 21 = 0-10V _{rms} (dc); -999 to 9999 units 23 = 0-50mV _{rms} (dc); -999 to 9999 units 24 = 0-100mV _{rms} (dc); -999 to 9999 units
IN2 611	Input 2 Type	? <sp> IN2 <cr> = <sp> IN2 <sp> data.2 <cr>	26 = Slidewire off 27 = Slidewire; 100 to 1200 32 = Event input 2 off 33 = Event Input 2 on
IT1 501	Integral for Output 1	? <sp> IT1 <cr> = <sp> IT1 <sp> data.2 <cr>	0.00 to 99.99 minutes per repeat Default: 10.00 minutes per repeat
IT2 511	Integral for Output 2	? <sp> IT2 <cr> = <sp> IT2 <sp> data.2 <cr>	0.00 to 99.99 minutes per repeat Default: 10.00 minutes per repeat
ITY1 8	Input 1 Hardware Type	? <sp> ITY1 <cr>	0 = None 1 = t/c only 4 = Input off 5 = Universal RTD 6 = Universal high gain t/c 7 = Universal low gain t/c 8 = Universal millivolts 9 = Universal process
ITY2 9	Input 2 Hardware Type	? <sp> ITY2 <cr>	0 = None 3 = Slidewire 4 = Input off 10 = Event input
LAT2 721	Alarm 2 Latching	? <sp> LAT2 <cr> = <sp> LAT2 <sp> data.2 <cr>	0 = Latching alarms 1 = Non-latching alarms Default: 1
LAT3 738	Alarm 3 Latching	? <sp> LAT3 <cr> = <sp> LAT3 <sp> data.2 <cr>	0 = Latching alarms 1 = Non-latching alarms Default: 1



CAUTION:
Avoid writing <=> continuously, such as ramping set points or repetitive loops, to the Series 981-984 EEPROM memory. Continuous writes may result in premature control failure, system downtime and damage to processes and equipment.

NOTE:
The number of decimal places returned by many of these commands is determined by the DEC1 or IN1 setting.

NOTE:
(RTD setting)
For JIS curve, go to rtd1 prompt after selecting In1.

Ramping Controller Prompt Table

Table 5.8 -
LOC to OT3



CAUTION:
Avoid writing <=> continuously, such as ramping set points or repetitive loops, to the Series 981-984 EEPROM memory. Continuous writes may result in premature control failure, system downtime and damage to processes and equipment.

NOTE:
The number of decimal places returned by many of these commands is determined by the DEC1 or IN1 setting. (This does not apply to Modbus Protocol.)

Name data.1 Modbus Address	Description	Read (?) and/or Write (=) Syntax	Range data.2
LOC 1300	Keyboard Lockout	? <sp> LOC <cr> = <sp> LOC <sp> data.2 <cr>	0 = No lockout 1 = Lock out PID Menu and auto-tune prompt 2 = Lock out System, PID and Program Menus 3 = Lock out System, PID and Program Menus; and set point 1 slewing Default: 0
LOP 715	Low Power Limit	? <sp> LOP <cr> = <sp> LOP <sp> data.2 <cr>	-100% to HiP (%) Default: -100% (heat/cool) Default: 0% (heat only)
LRNH 1907	Learn High Slide-wire Resistance	? <sp> LRNH <cr> = <sp> LRNH <sp> data.2 <cr>	0 = No function 1 = Learn Default: 0
LRNL 1906	Learn Low Slide-wire Resistance	? <sp> LRNL <cr> = <sp> LRNL <sp> data.2 <cr>	0 = No function 1 = Learn Default: 0
MDL 0	Model Number	? <sp> MDL <cr>	982 (981-984 ramping unit)
MOD 1900	Mode Key Action	= <sp> MOD <sp> data.2 <cr>	0 = Mode to previous prompt 1 = Mode to next prompt
MTR 1200	Monitor the currently running step. This key command responds with all step information for these step types: <ul style="list-style-type: none"> • Set Point (time) • Set Point (rate) • Soak These step types have zero-time duration; they will never respond to an MTR query: <ul style="list-style-type: none"> • Jump-loop • Link File • End Step 	? <sp> MTR <cr>	See Key Command, "MTR," at the end of this chapter for full response syntax.
OT1 700	Output 1 Action	? <sp> OT1 <cr> = <sp> OT1 <sp> data.2 <cr>	0 = Heat 1 = Cool
OT2 717	Output 2 Action	? <sp> OT2 <cr> = <sp> OT2 <sp> data.2 <cr>	0 = Heat 1 = Cool 2 = None 3 = Alarm 2 4 = Alarm 2 reverse acting
OT3 734	Output 3 Action	? <sp> OT3 <cr> = <sp> OT3 <sp> data.2 <cr>	0 = None 1 = Alarm 3 2 = Alarm 3 reverse acting 3 = Event 3 (ENT3)

Ramping Controller Prompt Table

981, 982, 983, 984

Name data.1 Modbus Address	Description	Read (?) and/or Write (=) Syntax	Range data.2
OTY1 16	Output 1 Hardware	? <sp> <OTY1> <cr>	0 = None
OTY2 17	Output 2 Hardware	? <sp> <OTY2> <cr>	1 = SSR 0.5A
OTY3 18	Output 3 Hardware	? <sp> <OTY3> <cr>	2 = SSR 0.5A with suppression
OTY4 19	Output 4 Hardware	? <sp> <OTY4> <cr>	5 = Dual SSR form A 6 = Switched dc 7 = Dual switched dc 8 = Relay 5A form C 9 = Relay 5A form C with suppression 10 = Relay 5A form A/B 11 = Relay 5A form A/B with suppr. 12 = Dual Relay form A 13 = Process output 14 = Voltage retransmit 15 = Current retransmit 16 = Power supply 17 = Comms EIA-232 18 = Comms EIA-485 / EIA-422 19 = Comms EIA-485 / EIA-232
PB1 500	Proportional Band Output 1	? <sp> PB1 <cr> = <sp> PB1 <sp> data.2 <cr>	if DFL = 0 and CF = 1, then 0 to 555°C if DFL = 0 and CF = 0, then 0 to 999°F if DFL = 0 and In1 = a process value, then 0 to 999 units if DFL = 1, then 0.0 to 99.9% of span Default: 25°F, 14°C, 25 units, or 3.0%
PB2 510	Proportional Band Output 2	? <sp> PB2 <cr> = <sp> PB2 <sp> data.2 <cr>	if DFL = 0 and CF = 1, then 0 to 555°C if DFL = 0 and CF = 0, then 0 to 999°F if DFL = 0 and In1 = a process value, then 0 to 999 units if DFL = 1, then 0.0 to 99.9% of span Default: 25°F, 14°C, 25 units, or 3.0%
POUT 1206	Power Outage Response	? <sp> POUT <cr> = <sp> POUT <sp> data.2 <cr>	0 = Continue 1 = Hold (HOLD) 2 = Abort 3 = Idle set point (IDSP) 4 = Reset
PRC1 701	Process Range Output 1	? <sp> PRC1 <cr> = <sp> PRC1 <sp> data.2 <cr>	0 = 4-20mA 1 = 0-20mA 2 = 0-5V 3 = 1-5V ^{dc} 4 = 0-10V ^{dc} Default: 0
PRC2 718	Process Range Output 2	? <sp> PRC2 <cr> = <sp> PRC2 <sp> data.2 <cr>	0 = 4-20mA 1 = 0-20mA 2 = 0-5V ^{dc} 3 = 1-5V ^{dc} 4 = 0-10V ^{dc} Default: 0
PRC3 735	Process Range Output 3	? <sp> PRC3 <cr> = <sp> PRC3 <sp> data.2 <cr>	0 = 4-20mA 1 = 0-20mA 2 = 0-5V ^{dc} 3 = 1-5V ^{dc} 4 = 0-10V ^{dc} Default: 0
PSTR 1207	Program Start Point	? <sp> PSTR <cr> = <sp> PSTR <sp> data.2 <cr>	0 = Start @ current process value 1 = Start @ hold mode set point Default: 1

Table 5.9 -
OTY1 to PSTR



CAUTION:
Avoid writing <=>
continuously, such
as ramping set
points or repetitive
loops, to the
Series 981-984
EEPROM memory.
Continuous writes
may result in
premature control
failure, system
downtime and
damage to pro-
cesses and
equipment.

NOTE:
The number of
decimal places
returned by many
of these com-
mands is deter-
mined by the DEC1
or IN1 setting.
(This does not
apply to Modbus
Protocol.)

Ramping Controller Prompt Table

Table 5.10 -
PTYP to SOFT



CAUTION:
Avoid writing <=> continuously, such as ramping set points or repetitive loops, to the Series 981-984 EEPROM memory. Continuous writes may result in premature control failure, system downtime and damage to processes and equipment.

NOTE:
The number of decimal places returned by many of these commands is determined by the DEC1 or IN1 setting. (This does not apply to Modbus Protocol.)

Name data.1 Modbus Address	Description	Read (?) and/or Write (=) Syntax	Range data.2
PTYP 1208	Program Type; Time-based, or Ramp rate-based	? <sp> PTYP <cr> = <sp> PTYP <sp> data.2 <cr>	0 = Time-based; hour:min:sec 1 = Ramp rate-based; %/minute Default: 0
PWR 103	Percent Power Present Output	? <sp> PWR <cr>	-100% to 100% Default: n/a
RA1 504	Rate Output 1	? <sp> RA1 <cr> = <sp> RA1 <sp> data.2 <cr>	0.00 to 9.99 minutes Default: 0.00
RA2 514	Rate Output 2	? <sp> RA2 <cr> = <sp> RA2 <sp> data.2 <cr>	0.00 to 9.99 minutes Default: 0.00
RE1 502	Reset Output 1	? <sp> RE1 <cr> = <sp> RE1 <sp> data.2 <cr>	0.00 to 9.99 repeats/min. Default: 0.10 repeats/min.
RE2 512	Reset Output 2	? <sp> RE2 <cr> = <sp> RE2 <sp> data.2 <cr>	0.00 to 9.99 repeats/min. Default: 0.10 repeats/min.
RESU 1209	Resume a Program	= <sp> RESU <sp> data.2 <cr>	1 = Resumes current file# and step#
RH1 603	Range High Input 1	? <sp> RH1 <cr> = <sp> RH1 <sp> data.2 <cr>	min. IN1 range to max. IN1 range Default: sensor high range
RH2 613	Range High Input 2	? <sp> RH2 <cr> = <sp> RH2 <sp> data.2 <cr>	min. IN2 range to max. IN2 range Default: sensor high range
RHS 200	Run/Hold Status	? <sp> <RHS> <cr>	0 = Hold 1 = Run 2 = Pre-run
RL1 602	Range Low Input 1	? <sp> RL1 <cr> = <sp> RL1 <sp> data.2 <cr>	min. IN1 range to max. IN1 range Default: sensor low range
RL2 612	Range Low Input 2	? <sp> RL2 <cr> = <sp> RL2 <sp> data.2 <cr>	min. IN2 range to max. IN2 range Default: sensor low range
RTD1 609	RTD Calibration Curve Input 1	? <sp> RTd1 <cr> = <sp> RTd1 <sp> data.2 <cr>	0 = JIS 1 = DIN Default: 1
SIL2 722	Alarm 2 Silence	? <sp> SIL2 <cr> = <sp> SIL2 <sp> data.2 <cr>	0 = off/disabled 1 = on/enabled Default: 0
SIL3 739	Alarm 3 Silence	? <sp> SIL3 <cr> = <sp> SIL3 <sp> data.2 <cr>	0 = off/disabled 1 = on/enabled Default: 0
SRNB 2	Serial Number Bottom Display Read the six-digit unit serial number in two segments, SNxx and xxxx, i.e., upper and lower front panel displays.	? <sp> SRNB <cr>	xxxx = 0000 to 9999
SRNT 1	Serial Number Top Display	? <sp> SRNT <cr>	SNxx = 00 to 99
SOFT 4	Software Revision	? <sp> SOFT <cr>	0 = Rev A 1 = Rev B 2 = Rev C 3 = Rev D 4 = Rev E 5 = Rev F 6 = Rev G 7 = Rev H 8 = Rev I 9 = Rev J 10 = Rev K 11 = Rev L 12 = Rev M 13 = Rev N etc.....

Ramping Controller Prompt Table

981, 982, 983, 984

Name data.1 Modbus Address	Description	Read (?) and/or Write (=) Syntax	Range data.2														
SP1 300	Set Point 1	? <sp> SP1 <cr> = <sp> SP1 <sp> data.2 <cr>	RL1 to RH1 Default: per IN1 and hardware set SP1 to RL1-1 to turn all outputs off														
SHYS 1904	Slidwire Hysteresis	? <sp> SHYS <cr> = <sp> SHYS <sp> data.2 <cr>	0 to Hunt														
STP Read: 1201 Write: 1250	Program a File Step. This key command programs or queries all step information for all step types: <ul style="list-style-type: none"> • Set Point (time) • Set Point (rate) • Soak • Jump-loop • Link File • End 	? <sp> <STP> <sp> <FILE> <cr> = <sp> <STP> <sp> <FILE> data.2 <sp> ... data.n <cr> See Key Command, "STP," at the end of this chapter for full syntax and data. See p. 5.14															
STRT 1250	Start a File	= <sp> STRT <sp> data.2 <sp> data.3 <sp>	<table style="margin-left: 20px;"> <tr> <td>data.2</td> <td>data.3</td> </tr> <tr> <td>1 = File 1</td> <td>1 = Step 1</td> </tr> <tr> <td>2 = File 2</td> <td>2 = Step 2</td> </tr> <tr> <td>3 = File 3</td> <td>3 = Step 3</td> </tr> <tr> <td>4 = File 4</td> <td>4 = Step 4</td> </tr> <tr> <td></td> <td>5 = Step 5</td> </tr> <tr> <td></td> <td>6 = Step 6</td> </tr> </table>	data.2	data.3	1 = File 1	1 = Step 1	2 = File 2	2 = Step 2	3 = File 3	3 = Step 3	4 = File 4	4 = Step 4		5 = Step 5		6 = Step 6
data.2	data.3																
1 = File 1	1 = Step 1																
2 = File 2	2 = Step 2																
3 = File 3	3 = Step 3																
4 = File 4	4 = Step 4																
	5 = Step 5																
	6 = Step 6																
TOUT 1514	Test Outputs	= <sp> TOUT <sp> data.2 <cr>	<ul style="list-style-type: none"> 0 = All off 1 = Output 1 on 2 = Output 2 on 3 = Output 3 on 4 = Output 4 on 														

Table 5.11 -
SP1 to TOUT



CAUTION:
Avoid writing <=> continuously, such as ramping set points or repetitive loops, to the Series 981-984 EEPROM memory. Continuous writes may result in premature control failure, system downtime and damage to processes and equipment.

NOTE:
The number of decimal places returned by many of these commands is determined by the DEC1 or IN1 setting. (This does not apply to Modbus Protocol.)

Ramping Controller MTR Command

Vertical lines represent <space> characters. Final vertical line represents a <space> and a <carriage return>. Each field must have data.

data.1 data.2 data.3 data.4 data.5 data.6 data.7 data.8 data.9 data.10 data.11

Monitor the Current Step for Current Process Information; response will parallel step type syntax below.

? MTR
(Query
current
step info)

MTR Response for a Set Point Step, Time-based (PTYP = TI) Syntax

<FILE#>	<STEP#>	<STYP>	<SP>	<HOUR>	<MIN>	<SEC>	<ENT3>	<ENT4>
1 to 4	1 to 6	(Step Type) 1= SP (Set Point)	RL to RH DFLT: 75°F/ 25°C/75 units, or RL if > the above.	0 to 99	0 to 59	0 to 59	(Event 3 Status) "==" disabled or unavailable 0=off 1=on	(Event 4 Status) "==" disabled or unavailable

MTR Response for a Set Point Step, Ramp Rate-based (PTYP = RATE) Syntax

<FILE#>	<STEP#>	<STYP>	<SP>	<RATE>	<ENT3>	<ENT4>
1 to 4	1 to 6	(Step Type) 1= SP (Set Point)	RL to RH DFLT: 75°F/ 25°C/75 units, or RL if > the above.	0 to 360°F, 0 to 200°C, or 0 to 360 units	(Event 3 Status) "==" disabled or unavailable 0=off 1=on	(Event 4 Status) "==" disabled or unavailable

NOTE:
You must send an "==" if disabled or unavailable.

MTR Response for a Soak Step Syntax

<FILE#>	<STEP#>	<STYP>	<HOUR>	<MIN>	<SEC>	<ENT3>	<ENT4>	<WE>	<WPR>
1 to 4	1 to 6	(Step Type) 2= SOAH (Soak)	0 to 99	0 to 59	0 to 59	(Event 3 Status) "==" disabled or unavailable 0=off 1=on	(Event 4 Status) "==" disabled or unavailable	(Wait for Event) "==" disabled or unavailable 0=off 1=on	(Wait for Process) "==" disabled or unavailable Range: RL1 to RH1

Note: MTR responses for Jump-loop, Link File and End Steps do not exist. These are zero time steps. The MTR will wait for next available set point or soak step type information.

Table 5.12 - Key Command, MTR.



CAUTION:
Excessive use of the Monitor (MTR) command can slow Series 981-984 input sampling and output update rates. Avoid sending the MTR command more than once every five seconds.



CAUTION:
Avoid writing (=) continuously, such as ramping set points or repetitive loops, to the Series 981-984 EEPROM memory. Continuous writes may result in premature control failure, system downtime and damage to processes and equipment.

Ramping Controller STP Command

Vertical lines represent <space> characters. Final vertical line represents a <space> and a <carriage return>. Each field must have data.

data.1 data.2 data.3 data.4 data.5 data.6 data.7 data.8 data.9 data.10 data.11

Query any Step for Programmed Information; response will parallel step type syntax below.

?	STP (Query step info)	<FILE#> 1 to 4	<STEP#> 1 to 6
---	--------------------------	-------------------	-------------------

Program any Step per the Step Types below.

Set Point Step, Time-based (PTYP = TI) Syntax

=	STP (Program a step)	<FILE #> 1 to 4	<STEP#> 1 to 6	<STYP> (Step Type) 1= SP (Set Point)	<SP> RL to RH DFLT: 75°F/ 25°C/ 75 units	<HOUR> 0 to 23	<MIN> 0 to 59	<SEC> 0 to 59	<ENT3> (Event 3 Status) **= disabled or unavailable 0=off 1=on	<ENT4> (Event 4 Status) **= disabled or unavailable
---	-------------------------	--------------------	-------------------	---	---	-------------------	------------------	------------------	---	--

Set Point Step, Ramp Rate-based (PtyP = rAtE) Syntax

=	STP (Program a step)	<FILE#> 1 to 4	<STEP#> 1 to 6	<STYP> (Step Type) 1= SP (Set Point)	<SP> RL to RH DFLT: 75°F/ 25°C/ 75 units	<RATE> 0 to 360°F, 0 to 200°C or 0 to 360 units	<ENT3> (Event 3 Status) **= disabled or unavailable 0=off 1=on	<ENT4> (Event 4 Status) **= disabled or unavailable
---	-------------------------	-------------------	-------------------	---	---	--	---	--

NOTE:
You must send an "*" if disabled or unavailable.

Soak Step Syntax

=	STP (Program a Step)	<FILE#> 1 to 4	<STEP#> 1 to 6	<STYP> (Step Type) 2= SOAH (Soak)	<HOUR> 0 to 23	<MIN> 0 to 59	<SEC> 0 to 59	<ENT3> (Event 3 Status) **= disabled or unavailable 0=off 1=on	<ENT4> (Event 4 Status) **= disabled or unavailable	<WE> (Wait for Event) **= disabled or unavailable 0=DSBL 1=on 2=off	<WPR> (Wait for Process) **= disabled or unavailable Range: RL1 to RH1; (RL1-1) =DSBL
---	-------------------------	-------------------	-------------------	---	-------------------	------------------	------------------	---	--	---	---

Jump-loop Step Syntax

=	STP (Program a Step)	<FILE#> 1 to 4	<STEP#> 1 to 6	<STYP> (Step Type) 3= JL (Jump-loop)	<JF> (Jump to File) 1 to 4 DFLT: current file	<JS> (Jump to Step) 1 to 5 DFLT: 1 Must be lower than current step #.	<JC> (Jump Count) Repeat 0 to 255 times 0 = infinite counts
---	-------------------------	-------------------	-------------------	---	---	---	---

Table 5.13 - Key Command, STP.

Link File Step Syntax

=	STP (Program a Step)	<FILE#> 1 to 4	<STEP#> 1 to 6	<STYP> (Step Type) 4= LFIL (Link File)	<LFIL> 1 = FIL1 2 = FIL2 3 = FIL3 4 = FIL4
---	-------------------------	-------------------	-------------------	---	--

End Step Syntax

=	STP (Program a Step)	<FILE#> 1 to 4	<STEP#> 1 to 6	<STYP> (Step Type) 0= End	<END> (End Status) 0= Hold 1= off
---	-------------------------	-------------------	-------------------	---------------------------------	--

Ramping Controller Commands

MONITOR (MTR) Command

READ only

Register: 1200 (You must request 23 registers)

NOTE:
 "*" means the
 parameter is
 not available.
 The value will
 be -9999.

MTR response for a Set Point Step, Time-based(PTYP = TI)

Register #	1200	1201	1202	1203	1204	1205	1206	1207	1208	1209	1210
Parameter	File	Step	Type	SP	Hour	Min	Sec	*	*	*	*

MTR response for a Set Point Step, Rate-based(PTYP = RATE)

Register #	1200	1201	1202	1203	1204	1205	1206	1207	1208	1209	1210
Parameter	File	Step	Type	SP	*	*	*	Rate	*	*	*

MTR response for a Soak Step

Register #	1200	1201	1202	1203	1204	1205	1206	1207	1208	1209	1210
Parameter	File	Step	Type	*	Hour	Min	Sec	*	*	*	*

START (STRT) Command

WRITE only

Register: 1250 1251 1252

Value: 1 File # Step #

SET command, sets the current profile FILE and STEP.

WRITE only

Register: 1250 1251 1252

Value: 3 File # Step #

STEP (STP) Command

READ the current file and step

Register: 1201 (You must request 23 registers)

Response will be the same as the PROGRAM commands below,
 (1201 = 1251, 1202 = 1252 etc.)

WRITE (program) the specified file and step.

(You must send a "*" (-9999) if a register is disabled or unavailable)

NOTE:
 "*" means the
 parameter is
 not available.
 The value will
 be -9999.

PROGRAM command for a Set Point Step, Time-based(PTYP = TI)

Register #	1250	1251	1252	1253	1254	1255	1256	1257	1258	1259	1260
Parameter	2	File	Step	Type	SP	Hour	Min	Sec	*	*	*

PROGRAM command for a Set Point Step, Rate-based(PTYP = RATE)

Register #	1250	1251	1252	1253	1254	1255	1256	1257	1258	1259	1260
Parameter	2	File	Step	Type	SP	*	*	*	Rate	JF	*

PROGRAM command for a Soak Step

Register #	1250	1251	1252	1253	1254	1255	1256	1257	1258	1259	1260
Parameter	2	File	Step	Type	*	Hour	Min	Sec	*	*	*

PROGRAM command for a Jump Loop Step

Register #	1250	1251	1252	1253	1254	1255	1256	1257	1258	1259	1260
Parameter	2	File	Step	Type	*	*	*	*	*	JF	JS

PROGRAM command for a Link File Step

Register #	1250	1251	1252	1253	1254	1255	1256	1257	1258	1259	1260
Parameter	2	File	Step	Type	*	*	*	*	*	*	*

PROGRAM command for an End Step Step

Register #	1250	1251	1252	1253	1254	1255	1256	1257	1258	1259	1260
Parameter	2	File	Step	Type	*	*	*	*	*	*	*

Ramping Controller Commands

981, 982, 983, 984

1211	1212	1213	1214	1215	1216	1217	1218	1219	1220	1221	1222
*	*	*	*	*	*	ES3	*	*	*	*	*

1211	1212	1213	1214	1215	1216	1217	1218	1219	1220	1221	1222
*	*	*	*	*	*	ES3	*	*	*	*	*

1211	1212	1213	1214	1215	1216	1217	1218	1219	1220	1221	1222
*	*	WE	WP	*	*	ES3	*	*	*	*	*

1261	1262	1263	1264	1265	1266	1267	1268	1269	1270	1271	1272	1273
*	*	*	*	*	*	*	ES3	*	*	*	*	*

1261	1262	1263	1264	1265	1266	1267	1268	1269	1270	1271	1272	1273
*	*	*	*	*	*	*	ES3	*	*	*	*	*

1261	1262	1263	1264	1265	1266	1267	1268	1269	1270	1271	1272	1273
*	*	*	WE	WP	*	*	ES3	*	*	*	*	*

1261	1262	1263	1264	1265	1266	1267	1268	1269	1270	1271	1272	1273
JC	*	*	*	*	*	*	*	*	*	*	*	*

1261	1262	1263	1264	1265	1266	1267	1268	1269	1270	1271	1272	1273
*	LF	*	*	*	*	*	*	*	*	*	*	*

1261	1262	1263	1264	1265	1266	1267	1268	1269	1270	1271	1272	1273
*	*	ES	*	*	*	*	*	*	*	*	*	*

Table 5.16 - 982 Modbus RTU Addresses

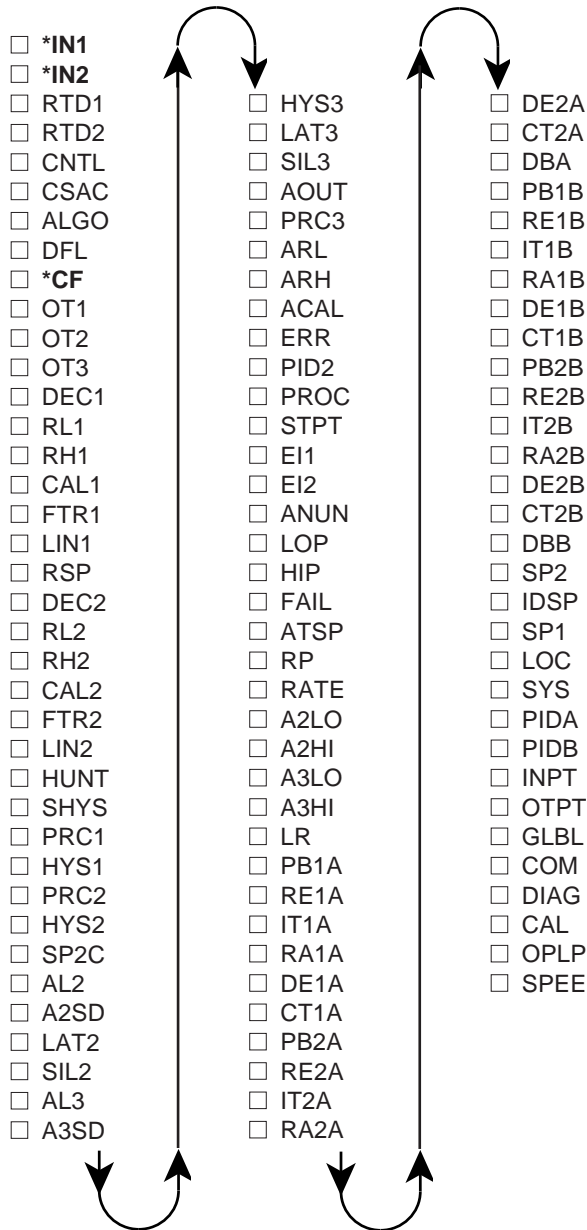
Table 5.16 -
Modbus RTU
Addresses

Absolute Address	Relative Address	Parameter	Absolute Address	Relative Address	Parameter	Absolute Address	Relative Address	Parameter
40001	0	MDL (982)	40507	506	CT1	40739	738	LAT3
40002	1	SRNT	40508	507	HYS1	40740	739	SIL3
40003	2	SRNB	40511	510	PB2	40736	735	PRC3
40005	4	SOFT	40512	511	IT2	40744	743	AOUT
40006	5	DATE	40513	512	RE2	40745	744	ARL
40009	8	ITY1	40514	513	DE2	40746	745	ARH
40010	9	ITY2	40515	514	RA2	40747	746	ACAL
40017	16	OTY1	40517	516	CT2	40901	900	DFL
40018	17	OTY2	40518	517	HYS2	40902	901	CF
40019	18	OTY3	40602	601	IN1	41061	1060	EI1
40020	19	OTY4	40603	602	RL1	41063	1062	EI2
40101	100	C1	40604	603	RH1	41201	1200	MTR
40104	103	PWR	40605	604	FTR1	41202	1201	STP
40105	104	C2	40606	605	CAL1	41203	1202	CSP
40107	106	ALM	40607	606	DEC1	41204	1203	EJC
40111	110	ALM	40608	607	ERR	41205	1204	ENSP
40201	200	RHS	40610	609	RTD1	41206	1205	GSD
40202	201	EI1S	40612	611	IN2	41207	1206	POUT
40210	209	ER	40613	612	RL2	41208	1207	PSTR
40212	211	DEV	40614	613	RH2	41209	1208	PTYP
40214	213	EI2S	40616	615	CAL2	41210	1209	RESU
40301	300	SP1	40701	700	OT1	41211	1210	HOLD
40305	304	ATSP	40702	701	PRC1	41212	1211	ABSP
40306	305	AUT	40715	714	HIP	41269	1268	ENT3
40309	308	IDSP	40716	715	LOP	41301	1300	LOC
40322	321	A2LO	40718	717	OT2	41501	1500	AMB
40323	322	A2HI	40719	718	PRC2	41515	1514	TOUT
40341	340	A3LO	40720	719	AL2	41901	1900	MOD
40342	341	A3HI	40721	720	HYS2	41902	1901	DISP
40501	500	PB1	40722	721	LAT2	41905	1904	SHYS
40502	501	IT1	40723	722	SIL2	41906	1905	HUNT
40503	502	RE1	40726	725	ANUN	41907	1906	LRNL
40504	503	DE1	40735	734	OT3	41908	1907	LRNH
40505	504	RA1	40737	736	AL3			
40506	505	DB	40738	737	HYS3			

Chapter 6 Command Summary of the Series 986-989

Complete Parameter Download Sequence

When you download a complete set of parameters to a controller, **you must load them in this order**. The user's manual has more information about prompt interaction.



CAUTION:
Entering commands out of sequence will produce unexpected results, because some prompts change the values of other prompts. Copy this page and use the checkboxes.

Table 6.1 - Download Sequence.

986, 987, 988, 989

* Wait at least two seconds after executing this command before going on to the next command.

Temperature/process Controller Prompt Table

Table 6.2 -
A2HI to ALM



CAUTION:
Avoid writing $\Leftarrow\Rightarrow$ continuously, such as ramping set points or repetitive loops, to the Series 986-989 EEPROM memory. Continuous writes may result in premature control failure, system downtime and damage to processes and equipment.

NOTE:
The number of decimal places returned by many of these commands is determined by the DEC1, DEC2, IN1 or IN2 setting. (This does not apply to Modbus Protocol.)

Name data.1 Modbus address	Description	Read (?) and/or Write (=) Syntax	Range data.2
A2HI 14	Output 2 Alarm High	? <sp> A2HI <cr> = <sp> A2HI <sp> data.2 <cr>	Process: A2LO to sensor high range Deviation: 0 to 9999° Rate: 0 to 9999°/minute Default: RH, 999°, or 999°/min.
A2LO 13	Output 2 Alarm Low	? <sp> A2LO <cr> = <sp> A2LO <sp> data.2 <cr>	Process: sensor low range to A2HI Deviation: -999 to 0° Rate: -9999 to 0°/minute Default: RL, -999°, or -999°/min.
A3HI 16	Output 3 Alarm High	? <sp> A3HI <cr> = <sp> A3HI <sp> data.2 <cr>	Process: A3LO to sensor high range Deviation: 0 to 9999° Rate: 0 to 9999°/minute Default: RH, 999°, or 999°/min.
A3LO 15	Output 3 Alarm Low	? <sp> A3LO <cr> = <sp> A3LO <sp> data.2 <cr>	Process: sensor low range to A3HI Deviation: -999 to 0° Rate: -999 to 0°/minute Default: RL, -999°, or -999°/min.
ACAL 94	Analog Offset	? <sp> ACAL <cr> = <sp> ACAL <sp> data.2 <cr>	-999 to 999°F -555 to 555°C -999 to 999 units Default: 0°F, 0°C, 0 units
AL2 74	Alarm 2 Type	? <sp> AL2 <cr> = <sp> AL2 <sp> data.2 <cr>	0 = Deviation Alarm, Input 2 1 = Process Alarm, Input 2 2 = Process Alarm, Input 1 3 = Deviation Alarm, Input 1 4 = Rate Alarm, Input 1 Default: 2
AL3 79	Alarm 3 Type	? <sp> AL3 <cr> = <sp> AL3 <sp> data.2 <cr>	0 = Deviation Alarm, Input 2 1 = Process Alarm, Input 2 2 = Process Alarm, Input 1 3 = Deviation Alarm, Input 1 4 = Rate Alarm, Input 1 Default: 2
ALGO 100	Algorithm	? <sp> ALGO <cr> = <sp> ALGO <sp> data.2 <cr>	0 = two sets of PID prompts [Pid2] 1 = one set of PID prompts [Pid] 2 = prop/derivative w/manual reset [Pdr] 3 = 1 process output both heat or cool [dUPL] Default: 1
ALM 3	Alarm Status (Writing a 0 clears next alarm.)	? <sp> ALM <cr> = <sp> ALM <sp> 0 <cr>	0 = No alarms occurring (0000 0000) Bit 1 = A2LO (0000 0001) Bit 2 = A2HI (0000 0010) Bit 3 = A3LO (0000 0100) Bit 4 = A3HI (0000 1000)

Temperature/process Controller Prompt Table

Name data.1 Modbus address	Description	Read (?) and/or Write (=) Syntax	Range data.2
AMB 125	Ambient Terminal Temperature	? <sp> AMB <cr>	Input 1 terminals in 0.0°F
ANUN 106	Alarm Annunciation	? <sp> ANUN <cr> = <sp> ANUN <sp> data.2 <cr>	0 = off 1 = on Default: on
AOUT 90	Analog Output 3 Retransmit Function	? <sp> AOUT <cr> = <sp> AOUT <sp> data.2 <cr>	0 = Retransmit Process Output 1 1 = Retransmit Set Point 1 2 = off 3 = Retransmit Process Output 2 Default: 0
ARH 93	Retransmit Range High	? <sp> ARH <cr> = <sp> ARH <sp> data.2 <cr>	ARL to 9999 Default: RH1 or RH2 per AOUT
ARL 92	Retransmit Range Low	? <sp> ARL <cr> = <sp> ARL <sp> data.2 <cr>	-999 to ARH Default: RL1 or RL2 per AOUT
ATM 10	Auto-Manual Key (Any data.2 toggles ATM, like the pressing the AUTO/MAN key.)	? <sp> ATM <cr> = <sp> ATM <sp> data.2 <cr>	0 = Auto mode 4 = Manual mode Default: n/a Disabled if LOC = 2 or 3
AUT 19	Auto-tune	? <sp> AUT <cr> = <sp> AUT <sp> data.2 <cr>	0 = No auto-tuning 1 = Tune PID Set A 2 = Tune PID Set B Default: off
ATSP 109	Auto-tune Set Point %	? <sp> ATSP <cr> = <sp> ATSP <sp> data.2 <cr>	50 to 150% Default: 90%
C1 1	Input 1 Value	? <sp> C1 <cr>	Based on IN1 range ; RL1 to RH1
C2 2	Input 2 Value	? <sp> C2 <cr>	Based on IN2 range ; RL2 to RH2
CAL 121	Lockout Calibration Menu	? <sp> CAL <cr> = <sp> CAL <sp> data.2 <cr>	0 = No lockout 1 = Read only 2 = No read or write Default: 0
CAL1 51	Input 1 Calibration Offset	? <sp> CAL1 <cr> = <sp> CAL1 <sp> data.2 <cr>	-999 to 9999 Default: 0
CAL2 59	Input 2 Calibration Offset	? <sp> CAL2 <cr> = <sp> CAL2 <sp> data.2 <cr>	-999 to 9999 Default: 0
CF 95	Degrees Select Display Loop	? <sp> CF <cr> = <sp> CF <sp> data.2 <cr>	0 = Display °F 1 = Display °C Default = 0
CNTL 98	Control Function	? <sp> CNTL <cr> = <sp> CNTL <sp> data.2 <cr>	0 = Normal 1 = Cascade 2 = Ratio 3 = Differential Default = 0
COM 119	Lockout Comms Menu	? <sp> COM <cr> = <sp> COM <sp> data.2 <cr>	0 = No lockout 1 = Read only 2 = No read or write Default: 0
CSAC 99	Cascade Action	? <sp> CSAC <cr> = <sp> CSAC <sp> data.2 <cr>	0 = direct action 1 = reverse action

Table 6.3 -
AMB to CSAC



CAUTION:
Avoid writing <=> continuously, such as ramping set points or repetitive loops, to the Series 986-989 EEPROM memory. Continuous writes may result in premature control failure, system downtime and damage to processes and equipment.

NOTE:
The number of decimal places returned by many of these commands is determined by the DEC1, DEC2, IN1 or IN2 setting. (This does not apply to Modbus Protocol.)

986, 987, 988, 989

Temperature/process Controller Prompt Table

Table 6.4 -
CT1A to DIAG

Name data.1 Modbus address	Description	Read (?) and/or Write (=) Syntax	Range data.2
CT1A 26	Cycle Time Output 1 PID Set A	? <sp> CT1A <cr> = <sp> CT1A <sp> data.2 <cr>	S.S. relay or open col: 0.0 = Burst firing, or 0.1 to 999.9 sec. (time prop) Mech relay: 5.0 to 999.9 sec. Default: 1.0 or 10.0 sec.
CT1B 39	Cycle Time Output 1 PID Set B	? <sp> CT1B <cr> = <sp> CT1B <sp> data.2 <cr>	S.S. relay or open col: 0.0 = Burst firing (brSt), or 0.1 to 999.9 sec. (time prop) Mech relay: 5.0 to 999.9 sec. Default: 1.0 or 10.0 sec.
CT2A 32	Cycle Time Output 2 PID Set A	? <sp> CT2A <cr> = <sp> CT2A <sp> data.2 <cr>	S.S. relay or open col: 0.0 = Burst firing (brSt), or 0.1 to 999.9 sec. (time prop) Mech relay: 5.0 to 999.9 sec. Default: 1.0 or 10.0 sec.
CT2B 45	Cycle Time Output 2 PID Set B	? <sp> CT2B <cr> = <sp> CT2B <sp> data.2 <cr>	S.S. relay or open col: 0.0 = Burst firing (brSt), or 0.1 to 999.9 sec. (time prop) Mech relay: 5.0 to 999.9 sec. Default: 1.0 or 10.0 sec.
DATE 122	Factory Test Date	? <sp> DATE <cr>	xxyy xx = week yy = year
DBA 33	Deadband PID Set A	? <sp> DBA <cr> = <sp> DBA <sp> data.2 <cr>	-999°F to 999°F -555°C to 555°C -999 units to 999 units Default: 0°F, 0°C, or 0 units
DBB 46	Deadband PID Set B	? <sp> DBB <cr> = <sp> DBB <sp> data.2 <cr>	-999°F to 999°F -555°C to 555°C -999 units to 999 units Default: 0°F, 0°C, or 0 units
DE1A 25	Derivative Output 1 PID Set A	? <sp> DE1A <cr> = <sp> DE1A <sp> data.2 <cr>	0.00 to 9.99 minutes Default: 0.00
DE2A 31	Derivative Output 2 PID Set A	? <sp> DE2A <cr> = <sp> DE2A <sp> data.2 <cr>	0.00 to 9.99 minutes Default: 0.00
DE1B 38	Derivative Output 1 PID Set B	? <sp> DE1B <cr> = <sp> DE1B <sp> data.2 <cr>	0.00 to 9.99 minutes Default: 0.00
DE2B 44	Derivative Output 2 PID Set B	? <sp> DE2B <cr> = <sp> DE2B <sp> data.2 <cr>	0.00 to 9.99 minutes Default: 0.00
DEC1 48	Decimal Point Process Input 1	? <sp> DEC1 <cr> = <sp> DEC1 <sp> data.2 <cr>	0 = Decimal point 0 1 = Decimal point 0.0 2 = Decimal point 0.00 3 = Decimal point 0.000 Default: 0
DEC2 56	Decimal Point Process Input 2	? <sp> DEC2 <cr> = <sp> DEC2 <sp> data.2 <cr>	0 = Decimal point 0 1 = Decimal point 0.0 2 = Decimal point 0.00 3 = Decimal point 0.000 Default: 0
DEV 5	Process Deviation Display Loop (IN 1)	? <sp> DEV <cr>	Difference between SP1 and C1
DFL 140	Default Unit Type	? <sp> DFL <cr> = <sp> DFL <sp> data.2 <cr>	0 = US units 1 = Standard International units
DIAG 120	Lockout Diagnostics Menu	? <sp> DIAG <cr> = <sp> DIAG <sp> data.2 <cr>	0 = No lockout 1 = Read only 2 = No read or write Default: 0



CAUTION:
Avoid writing <=>
continuously, such
as ramping set
points or repetitive
loops, to the
Series 986-989
EEPROM memory.
Continuous writes
may result in
premature control
failure, system
downtime and
damage to
processes and
equipment.

NOTE:
The number of
decimal places
returned by many
of these
commands is
determined by the
DEC1, DEC2, IN1
or IN2 setting.
(This does not
apply to Modbus
Protocol.)

Temperature/process Controller Prompt Table

Name data.1 Modbus address	Description	Read (?) and/or Write (=) Syntax	Range data.2
EI1 11	Event Input 1 Function	? <sp> EI1 <cr> = <sp> EI1 <sp> data.2 <cr>	Software Revision thru M N and later 0 0 = Switch PID Sets 1 1 = None 2 2 = Lock out keyboard 3 3 = Alarm reset N/A 4 = Auto/manual select 4 5 = Turn control outputs off 5 6 = Reverse Output 1 6 7 = Activate Idle Set Point 7 8 = Activate Remote Set Pt Default: 1
EI1S 104	Event Input 1 Status	? <sp> EI1S <cr>	0 = off (open) 1 = on (closed)
EI2 12	Event Input 2 Function	? <sp> EI2 <cr> = <sp> EI2 <sp> data.2 <cr>	Software Revision thru M N and later 0 0 = Switch PID Sets 1 1 = None 2 2 = Lock out keyboard 3 3 = Alarm reset N/A 4 = Auto/manual select 4 5 = Turn control outputs off 5 6 = Reverse Output 1 6 7 = Activate Idle Set Point 7 8 = Activate Remote Set Pt Default: 1
EI2S 105	Event Input 2 Status	? <sp> EI2S <cr>	0 = off (open) 1 = on (closed)
ER 4	Error, Analog Input (Multiple errors possible.)	? <sp> ER <cr>	0 = No error 1 = Input 1 A-D overflow 2 = Input 1 overrange 3 = Input 1 underrange 4 = Input 1 A-D underflow 5 = Input 2 A-D overflow 6 = Input 2 overrange 7 = Input 2 underrange 8 = Input 2 A-D underflow 9 = Ambient error 10 = Heater 11 = Open loop
ER2 n/a	Error, Communications	? <sp> ER2 <cr>	0 = No error 1 = Transmit buffer overflow 2 = Receive buffer overflow 3 = Framing error 4 = Overrun error 5 = Parity error 6 = Talking out of turn 7 = Invalid reply error 8 = Noise error 20 = Command not found 21 = Prompt not found 22 = Incomplete command line 23 = Invalid character 24 = Number of chars. overflow 25 = Input out of limit 26 = Read only command 27 = Write allowed only 28 = Prompt not active
ERR 97	Error, Latching Enable	? <sp> ERR <cr> = <sp> ERR <sp> data.2 <cr>	0 = Errors latching 1 = Errors non-latching Default = 1
FAIL 96	Sensor Failure Output Function	? <sp> FAIL <cr> = <sp> FAIL <sp> data.2 <cr>	Bumpless = LOP - 1% Heat/cool manual = -100 to 100% Heat only manual = 0% to 100% Cool only manual = -100% to 0% Default = Bumpless

Table 6.5 -
E11 to FAIL



CAUTION:
Avoid writing <=>
continuously,
such as ramping
set points or
repetitive loops, to
the Series 986-989
EEPROM memory.
Continuous writes
may result in
premature control
failure, system
downtime and
damage to
processes and
equipment.

NOTE:
The number of
decimal places
returned by many
of these
commands is
determined by the
DEC1, DEC2, IN1
or IN2 setting.
(This does not
apply to Modbus
Protocol.)

986, 987, 988, 989

Temperature/process Controller Prompt Table

Table 6.6 -
FTR1 to IN1

Name data.1 Modbus address	Description	Read (?) and/or Write (=) Syntax	Range data.2
FTR1 53	Process Input 1 Filter Time Constant	? <sp> FTR1 <cr> = <sp> FTR1 <sp> data.2 <cr>	-60 to 60 seconds Default: 0
FTR2 63	Process Input 2 Filter Time Constant	? <sp> FTR2 <cr> = <sp> FTR2 <sp> data.2 <cr>	-60 to 60 seconds Default: 0
GLBL 118	Lockout Global Menu	? <sp> GLBL <cr> = <sp> GLBL <sp> data.2 <cr>	0 = No lockout 1 = Read only 2 = No read or write Default: 0
HIP 108	High Power Limit	? <sp> HIP <cr> = <sp> HIP <sp> data.2 <cr>	LOP (%) to 100% Default: 100 (Heat / cool) Default: 0 (Cool only)
HUNT 65	Slidewire Deadband %	? <sp> HUNT <cr> = <sp> HUNT <sp> data.2 <cr>	0.1% to 100.0% Default: 1.0%
HYS1 69	Output 1 Hysteresis	? <sp> HYS1 <cr> = <sp> HYS1 <sp> data.2 <cr>	0°F to 999°F 0°C to 555°C 0 units to 999 units Default: 3°F, 2°C, or 3 units
HYS2 72	Output 2 Hysteresis	? <sp> HYS2 <cr> = <sp> HYS2 <sp> data.2 <cr>	0°F to 999°F 0°C to 555°C 0 units to 999 units Default: 3°F, 2°C, or 3 units
HYS3 81	Output 3 Hysteresis	? <sp> HYS3 <cr> = <sp> HYS3 <sp> data.2 <cr>	0°F to 999°F 0°C to 555°C 0 units to 999 units Default: 3°F, 2°C, or 3 units
IDSP 9	Idle Set Point	? <sp> IDSP <cr> = <sp> IDSP <sp> data.2 <cr>	RL1 to RH1
IN1 47	Input 1 Type (Caution: Writing to IN1 resets most prompts to their de- fault state.)	? <sp> IN1 <cr> = <sp> IN1 <sp> data.2 <cr>	1 = J t/c; 32 to 1500°F/0 to 816°C 2 = K t/c; -328 to 2500°F/-200 to 1371°C 3 = T t/c; -328 to 750°F/-200 to 399°C 4 = N t/c; 32 to 2372°F/0 to 1300°C 5 = E t/c; -328 to 1470°F/-200 to 799°C 6 = C t/c (W3); 32 to 4200°F 0 to 2316°C 7 = D t/c (W5); 32 to 4200°F/0 to 2316°C 8 = Pt 2; 32 to 2543°F/0 to 1395°C 10 = R t/c; 32 to 3200°F/0 to 1760°C 11 = S t/c; 32 to 3200°F/0 to 1760°C 12 = B t/c; 1598 to 3300°F/870 to 1816°C 14 = 1° RTD (DIN); -328 to 1472°F/ -200 to 800°C 15 = 0.1° RTD (DIN); -99.9 to 999.9°F/ -99.9 to 700.0°C 17 = 4-20mA; -999 to 9999 units 18 = 0-20mA; -999 to 9999 units 19 = 0-5V [≐] (dc); -999 to 9999 units 20 = 1-5V [≐] (dc); -999 to 9999 units 21 = 0-10V [≐] (dc); -999 to 9999 units 23 = 0-50mV [≐] (dc); -999 to 9999 units 24 = 0-100mV [≐] (dc); -999 to 9999 units 34 = 0-50mV [≐] (dc); -999 to 9999 units



CAUTION:

Avoid writing <=> continuously, such as ramping set points or repetitive loops, to the Series 986-989 EEPROM memory. Continuous writes may result in premature control failure, system downtime and damage to processes and equipment.

NOTE:

The number of decimal places returned by many of these commands is determined by the DEC1, DEC2, IN1 or IN2 setting.

NOTE:

(RTD setting)
For JIS curve, go to rtd1 prompt after selecting In1.

Temperature/process Controller Prompt Table

Name data.1 Modbus address	Description	Read (?) and/or Write (=) Syntax	Range data.2
IN2 55	Input 2 Type (Caution: Writing to IN2 resets most prompts to their default state.)	? <sp> IN2 <cr> = <sp> IN2 <sp> data.2 <cr>	0 = t/c Low Gain off 1 = J t/c; 32 to 1500°F/0 to 816°C 2 = K t/c; -328 to 2500°F/-200 to 1371°C 3 = T t/c; -328 to 750°F/-200 to 399°C 4 = N t/c; 32 to 2372°F/0 to 1300°C 5 = E t/c; -328 to 1470°F/-200 to 799°C 6 = C t/c (W3); 32 to 4200°F 0 to 2316°C 7 = D t/c (W5); 32 to 4200°F/0 to 2316°C 8 = Pt 2; 32 to 2543°F/0 to 1395°C 9 = t/c High Gain off 10 = R t/c; 32 to 3200°F/0 to 1760°C 11 = S t/c; 32 to 3200°F/0 to 1760°C 12 = B t/c; 1598 to 3300°F/870 to 1816°C 13 = RTD off 14 = 1° RTD (DIN); -328 to 1472°F/ -200 to 800°C 15 = 0.1° RTD (DIN); -99.9 to 999.9°F/ -99.9 to 700.0°C 16 = Process off 17 = 4-20mA; -999 to 9999 units 18 = 0-20mA; -999 to 9999 units 19 = 0-5V _{DC} ; -999 to 9999 units 20 = 1-5V _{DC} ; -999 to 9999 units 21 = 0-10V _{DC} ; -999 to 9999 units 22 = Millivolts off 23 = 0-50mV _{DC} ; -999 to 9999 units 24 = 0-100mV _{DC} ; -999 to 9999 units 26 = Resistance off 27 = Slidewire; 100 to 1200Ω 28 = Potentiometer; 0 to 1200Ω 29 = Heater current off 30 = Heater Current; 0 to 50A 31 = Open loop detect 32 = Event input 2 off 33 = Event input 2 on
INPT 116	Lockout Input Menu	? <sp> INPT <cr> = <sp> INPT <sp> data.2 <cr>	0 = No input menu lockout 1 = Read only 2 = No read or write allowed Default: 0
IT1A 24	Integral for Output 1 PID Set A	? <sp> IT1A <cr> = <sp> IT1A <sp> data.2 <cr>	0.00 to 99.99 minutes per repeat Default: 0.00 minutes per repeat
IT2A 30	Integral for Output 2 PID Set A	? <sp> IT2A <cr> = <sp> IT2A <sp> data.2 <cr>	0.00 to 99.99 minutes per repeat Default: 0.00 minutes per repeat
IT1B 37	Integral for Output 1 PID Set B	? <sp> IT1B <cr> = <sp> IT1B <sp> data.2 <cr>	0.00 to 99.99 minutes per repeat Default: 0.00 minutes per repeat
IT2B 43	Integral for Output 2 PID Set B	? <sp> IT2B <cr> = <sp> IT2B <sp> data.2 <cr>	0.00 to 99.99 minutes per repeat Default: 0.00 minutes per repeat
INSP 144	Cascade Inner SP	? <sp> INSP <cr>	RL1 to RH1, or if CNTL = 2 (ratio), then 0.0 to 20.0 if CNTL = 3 (differential), then -999 to 999 if ATM = 1, then 0 to 100% Default: per IN1 and hardware
ITY1 130	Input 1 Hardware Type	? <sp> ITY1 <cr>	0 = None 1 = t/c only 2 = Current 3 = Slide wire 4 = Input off 5 = Universal RTD 6 = Universal high gain t/c 7 = Universal low gain t/c 8 = Universal millivolts 9 = Universal process

Table 6.7 -
IN2 to ITY1



CAUTION:
Avoid writing <=> continuously, such as ramping set points or repetitive loops, to the Series 986-989 EEPROM memory. Continuous writes may result in premature control failure, system downtime and damage to processes and equipment.

NOTE:
(RTD setting)
For JIS curve, go to rtd1 prompt after selecting In1.

NOTE:
The number of decimal places returned by many of these commands is determined by the DEC1, DEC2, IN1 or IN2 setting.

986, 987, 988, 989

Temperature/process Controller Prompt Table

Table 6.8 -
ITY2 to OT2



CAUTION:
Avoid writing <=> continuously, such as ramping set points or repetitive loops, to the Series 986-989 EEPROM memory. Continuous writes may result in premature control failure, system downtime and damage to processes and equipment.

NOTE:
The number of decimal places returned by many of these commands is determined by the DEC1, DEC2, IN1 or IN2 setting. (This does not apply to Modbus Protocol.)

Name data.1 Modbus address	Description	Read (?) and/or Write (=) Syntax	Range data.2
ITY2 131	Input 2 Hardware Type	? <sp> ITY2 <cr> = <sp> ITY2 <sp> data.2 <cr>	0 = None 1 = t/c only 2 = Current 3 = Slide wire 4 = Input off 5 = Universal RTD 6 = Universal high gain t/c 7 = Universal low gain t/c 8 = Universal millivolts 9 = Universal process 10 = Event input
LAT2 76	Alarm 2 Latching	? <sp> LAT2 <cr> = <sp> LAT2 <sp> data.2 <cr>	0 = Latching alarms 1 = Non-latching alarms Default: 1
LAT3 82	Alarm 3 Latching	? <sp> LAT3 <cr> = <sp> LAT3 <sp> data.2 <cr>	0 = Latching alarms 1 = Non-latching alarms Default: 1
LIN1 54	Linearization Process Input 1	? <sp> LIN1 <cr> = <sp> LIN1 <sp> data.2 <cr>	0 = None 1 = Square root extraction Default: 0
LIN2 64	Linearization Process Input 2	? <sp> LIN2 <cr> = <sp> LIN2 <sp> data.2 <cr>	0 = None 1 = Square root extraction Default: 0
LOC 112	Keyboard Lockout	? <sp> LOC <cr> = <sp> LOC <sp> data.2 <cr>	0 = No lockout 1 = Lock out mode key 2 = Lock out mode and auto/manual keys 3 = Lock out all single keys Default: 0
LOP 107	Low Power Limit	? <sp> LOP <cr> = <sp> LOP <sp> data.2 <cr>	-100% to HIP (%) Default: -100% (Heat / cool) Default: 0% (Heat only)
LRNH 62	Learn High Slide- wire Resistance	? <sp> LRNH <cr> = <sp> LRNH <sp> data.2 <cr>	0 = No function 1 = Learn Default: 0
LRNL 61	Learn Low Slide- wire Resistance	? <sp> LRNL <cr> = <sp> LRNL <sp> data.2 <cr>	0 = No function 1 = Learn Default: 0
LR 20	Local-Remote Set Point Select	? <sp> LR <cr> = <sp> LR <sp> data.2 <cr>	0 = Local set point 1 = Remote set point Default: 0
MDL 0	Model Number	? <sp> MDL <cr>	988 (986-989 units)
OT1 67	Output 1 Action	? <sp> OT1 <cr> = <sp> OT1 <sp> data.2 <cr>	0 = Heat 1 = Cool
OT2 70	Output 2 Action	? <sp> OT2 <cr> = <sp> OT2 <sp> data.2 <cr>	0 = Heat 1 = Cool 2 = None 3 = Alarm 2 4 = Alarm 2 reverse acting

Temperature/process Controller Prompt Table

Name data.1 Modbus address	Description	Read (?) and/or Write (=) Syntax	Range data.2
OT3 78	Output 3 Action	? <sp> OT3 <cr> = <sp> OT3 <sp> data.2 <cr>	0 = None 1 = Alarm 3 2 = Alarm 3 reverse acting
OTPT 117	Lockout Output Menu	? <sp> OTPT <cr> = <sp> OTPT <sp> data.2 <cr>	0 = No lockout 1 = Read only 2 = No read or write Default: 0
OTY1 132	Output 1 Hardware	? <sp> OTY1 <cr>	0 = None 1 = SSR 0.5A 2 = SSR 0.5A with suppression 6 = Switched dc 8 = Relay 5A Form C 9 = Relay 5A Form C with supr. 10 = Relay 5A Form A/B 11 = Relay 5A Form A/B with supr. 13 = Process output 14 = Voltage retransmit 15 = Current retransmit 16 = Power supply 17 = Comms EIA-232 18 = Comms EIA -485 / EIA-422 19 = Comms EIA-485 / EIA-232
OTY2 133	Output 2 Hardware	? <sp> OTY2 <cr>	
OTY3 134	Output 3 Hardware	? <sp> OTY3 <cr>	
OTY4 135	Output 4 Hardware	? <sp> OTY4 <cr>	
PB1A 21	Proportional Band Output 1 PID Set A	? <sp> PB1A <cr> = <sp> PB1A <sp> data.2 <cr>	if DFL = 0, then 0 to 9999 if DFL = 1, then 0.0 to 99.9% of span Default: 25°F, 14°C, 25 units or 3.0%
PB1B 34	Proportional Band Output 1 PID Set B	? <sp> PB1B <cr> = <sp> PB1B <sp> data.2 <cr>	if DFL = 0, then 0 to 9999 if DFL = 1, then 0.0 to 99.9% of span Default: 25°F, 14°C, 25 units or 3.0%
PB2A 27	Proportional Band Output 2 PID Set A	? <sp> PB2A <cr> = <sp> PB2A <sp> data.2 <cr>	if DFL = 0, then 0 to 9999 if DFL = 1, then 0.0 to 99.9% of span Default: 25°F, 14°C, 25 units or 3.0%
PB2B 40	Proportional Band Output 2 PID Set B	? <sp> PB2B <cr> = <sp> PB2B <sp> data.2 <cr>	if DFL = 0, then 0 to 9999 if DFL = 1, then 0.0 to 99.9% of span Default: 25°F, 14°C, 25 units or 3.0%
PIDA 114	Lockout PID Set A Menu	? <sp> PIDA <cr> = <sp> PIDA <sp> data.2 <cr>	0 = No lockout 1 = Read only 2 = No read or write Default: 0
PIDB 115	Lockout PID Set B Menu	? <sp> PIDB <cr> = <sp> PIDB <sp> data.2 <cr>	0 = No lockout 1 = Read only 2 = No read or write Default: 0

Table 6.9 -
OT3 to PIDB



CAUTION:
Avoid writing <=> continuously, such as ramping set points or repetitive loops, to the Series 986-989 EEPROM memory. Continuous writes may result in premature control failure, system downtime and damage to processes and equipment.

NOTE:
The number of decimal places returned by many of these commands is determined by the DEC1, DEC2, IN1 or IN2 setting. (This does not apply to Modbus Protocol.)

986, 987, 988, 989

Temperature/process Controller Prompt Table

Table 6.10 -
PID2 to RH2



CAUTION:
Avoid writing $\Leftarrow\Rightarrow$ continuously, such as ramping set points or repetitive loops, to the Series 986-989 EEPROM memory. Continuous writes may result in premature control failure, system downtime and damage to processes and equipment.

NOTE:
The number of decimal places returned by many of these commands is determined by the DEC1, DEC2, IN1 or IN2 setting. (This does not apply to Modbus Protocol.)

Name data.1 Modbus address	Description	Read (?) and/or Write (=) Syntax	Range data.2
PID2 101	PID Set Crossover Source Selection	? <sp> PID2 <cr> = <sp> PID2 <sp> data.2 <cr>	0 = Process 1 = Set point 2 = None Default: 0
PRC1 68	Process Range Output 1	? <sp> PRC1 <cr> = <sp> PRC1 <sp> data.2 <cr>	0 = 4-20mA 1 = 0-20mA 2 = 0-5V \approx (dc) 3 = 1-5V \approx (dc) 4 = 0-10V \approx (dc) Default: 0
PRC2 71	Process Range Output 2	? <sp> PRC2 <cr> = <sp> PRC2 <sp> data.2 <cr>	0 = 4-20mA 1 = 0-20mA 2 = 0-5V \approx (dc) 3 = 1-5V \approx (dc) 4 = 0-10V \approx (dc) Default: 0
PRC3 91	Process Range Output 3	? <sp> PRC3 <cr> = <sp> PRC3 <sp> data.2 <cr>	0 = 4-20mA 1 = 0-20mA 2 = 0-5V \approx (dc) 3 = 1-5V \approx (dc) 4 = 0-10V \approx (dc) Default: 0
PROC 102	Process Value for PID A \leftrightarrow B Switch	? <sp> PROC <cr> = <sp> PROC <sp> data.2 <cr>	RL1 to RH1 Default: per IN1 and hardware
PWR 6	Percent Power Present Output	? <sp> PWR <cr>	-100% to 100% n/a
RA1A 23	Rate Output 1 PID Set A	? <sp> RA1A <cr> = <sp> RA1A <sp> data.2 <cr>	0.00 to 9.99 minutes Default: 0.00
RA1B 36	Rate Output 1 PID Set B	? <sp> RA1B <cr> = <sp> RA1B <sp> data.2 <cr>	0.00 to 9.99 minutes Default: 0.00
RA2A 29	Rate Output 2 PID Set A	? <sp> RA2A <cr> = <sp> RA2A <sp> data.2 <cr>	0.00 to 9.99 minutes Default: 0.00
RA2B 42	Rate Output 2 PID Set B	? <sp> RA2B <cr> = <sp> RA2B <sp> data.2 <cr>	0.00 to 9.99 minutes Default: 0.00
RE1A 22	Reset Output 1 PID Set A	? <sp> RE1A <cr> = <sp> RE1A <sp> data.2 <cr>	if ALGO = 0, 1, or 3, then 0.00 to 9.99 repeats/min. if ALGO = 2, then -100.0% to 100.0% Default: 0.00 repeats/min. or 0.0%
RE1B 35	Reset Output 1 PID Set B	? <sp> RE1B <cr> = <sp> RE1B <sp> data.2 <cr>	if ALGO = 0, 1, or 3, then 0.00 to 9.99 repeats/min. if ALGO = 2, then -100.0% to 100.0% Default: 0.00 repeats/min. or 0.0%
RE2A 28	Reset Output 2 PID Set A	? <sp> RE2A <cr> = <sp> RE2A <sp> data.2 <cr>	if ALGO = 0, 1, or 3, then 0.00 to 9.99 repeats/min. if ALGO = 2, then -100.0% to 100.0% Default: 0.00 repeats/min. or 0.0%
RE2B 41	Reset Output 2 PID Set B	? <sp> RE2B <cr> = <sp> RE2B <sp> data.2 <cr>	if ALGO = 0, 1, or 3, then 0.00 to 9.99 repeats/min. if ALGO = 2, then -100.0% to 100.0% Default: 0.00 repeats/min. or 0.0%
RH1 50	Range High Input 1	? <sp> RH1 <cr> = <sp> RH1 <sp> data.2 <cr>	min. IN1 range to to max. IN1 range Default: Sensor high range
RH2 58	Range High Input 2	? <sp> RH2 <cr> = <sp> RH2 <sp> data.2 <cr>	min. IN2 range to to max. IN2 range Default: Sensor high range

Temperature/process Controller Prompt Table

Name data.1 Modbus address	Description	Read (?) and/or Write (=) Syntax	Range data.2
RL1 49	Range Low Input 1	? <sp> RL1 <cr> = <sp> RL1 <sp> data.2 <cr>	min. IN1 range to to max. IN1 range Default: Sensor low range
RL2 57	Range Low Input 2	? <sp> RL2 <cr> = <sp> RL2 <sp> data.2 <cr>	min. IN2 range to to max. IN2 range Default: Sensor low range
RP 110	Ramping Initiation	? <sp> RP <cr> = <sp> RP <sp> data.2 <cr>	0 = off 1 = on startup 2 = on startup and set point change Default: 0
RSP 142	Remote Set Point	? <sp> RSP <cr> = <sp> RSP <sp> data.2 <cr>	0 = off 1 = on Default: 0
RATE 111	Ramp Rate	? <sp> RATE <cr> = <sp> RATE <sp> data.2 <cr>	0 to 9999%/minute Default: 100%/minute
RTD1 52	RTD Calibration Curve Input 1	? <sp> RTD1 <cr> = <sp> RTD1 <sp> data.2 <cr>	0 = JIS 1 = DIN Default: 1
RTD2 60	RTD Calibration Curve Input 2	? <sp> RTD2 <cr> = <sp> RTD2 <sp> data.2 <cr>	0 = JIS 1 = DIN Default: 1
SHYS 66	Slidewire Hysteresis	? <sp> SHYS <cr> = <sp> SHYS <sp> data.2 <cr>	0 to HUNT
SIL2 77	Alarm 2 Silence	? <sp> SIL2 <cr> = <sp> SIL2 <sp> data.2 <cr>	0 = off/disabled 1 = on/enabled Default: 0
SIL3 83	Alarm 3 Silence	? <sp> SIL3 <cr> = <sp> SIL3 <sp> data.2 <cr>	0 = off/disabled 1 = on/enabled Default: 0
SRNB 124	Serial Number Bottom Display Read the six-digit unit serial number in two segments, "SNxx" and "xxxx," i.e., as in the upper and lower front panel displays.	? <sp> SRNB <cr>	xxxx = 0000 to 9999
SRNT 123	Serial Number Top Display	? <sp> SRNT <cr>	SNxx = 00 to 99
SOFT 141	Software Revision	? <sp> SOFT <cr>	0 = Rev A 7 = Rev H 14 = Rev O 1 = Rev B 8 = Rev I 15 = Rev P 2 = Rev C 9 = Rev J 16 = Rev Q 3 = Rev D 10 = Rev K 17 = Rev R 4 = Rev E 11 = Rev L 18 = Rev S 5 = Rev F 12 = Rev M 19 = Rev T 6 = Rev G 13 = Rev N 20 = Rev U etc.
SP1 7	Set Point 1	? <sp> SP1 <cr> = <sp> SP1 <sp> data.2 <cr>	RL1 to RH1, or if CNTL = 2 (ratio), then 0.0 to 20.0 if CNTL = 3 (differential), then -999 to 999 if ATM = 1, then 0 to 100% Default: per IN1 and hardware

Table 6.11 -
RL1 to SP1



CAUTION:
Avoid writing <=>
continuously,
such as ramping
set points or
repetitive loops, to
the Series 986-989
EEPROM memory.
Continuous writes
may result in
premature control
failure, system
downtime and
damage to
processes and
equipment.

NOTE:
The number of
decimal places
returned by many
of these
commands is
determined by the
DEC1, DEC2, IN1
or IN2 setting.
(This does not
apply to Modbus
Protocol.)

986, 987, 988, 989

Temperature/process Controller Prompt Table

Table 6.12 -
SP2 to TOUT

Name data.1 Modbus address	Description	Read (?) and/or Write (=) Syntax	Range data.2
SP2 8	Set Point 2 Heat/Heat or Cool/Cool Only	? <sp> SP2 <cr> = <sp> SP2 <sp> data.2 <cr>	RL1 to RH1 Default: per input range (?)
SP2C 73	Set Point 2 Type	? <sp> SP2C <cr> = <sp> SP2C <sp> data.2 <cr>	0 = Process 1 = Deviation Default: 0
SPEE 143	Write Set Point to EEPROM	? <sp> SPEE <cr> = <sp> SPEE <sp> data.2 <cr>	0 = Saves set point in EEPROM 1 = Does not save set point in EEPROM Default: 0 (See Note 1)
STPT 103	Set Point Value PID A <-> B Switch	? <sp> STPT <cr> = <sp> STPT <sp> data.2 <cr>	RL1 to RH1 Default: Sensor type low range
SYS 113	Lockout System Menu	? <sp> SYS <cr> = <sp> SYS <sp> data.2 <cr>	0 = No lockout 1 = Read only 2 = No read or write Default: 0
TOUT 137	Test Outputs	= <sp> TOUT <sp> data.2 <cr>	1 = Output 1 on 2 = Output 2 on 3 = Output 3 on 4 = Output 4 on

NOTE 1:
Turning the controller off and on again resets SPEE to 0 and restores the last stored set point.



CAUTION:
Avoid writing <=> continuously, such as ramping set points or repetitive loops, to the Series 986-989 EEPROM memory. Continuous writes may result in premature control failure, system downtime and damage to processes and equipment.

NOTE 2:
The number of decimal places returned by many of these commands is determined by the DEC1, DEC2, IN1 or IN2 setting. (This does not apply to Modbus Protocol.)

Table 6.13 - 988 Modbus RTU Addresses

Absolute Address	Relative Address	Parameter	Absolute Address	Relative Address	Parameter	Absolute Address	Relative Address	Parameter
40001	0	MODEL (988)	40048	47	IN1	40099	98	CNTL
40002	1	C1 (input 1 value)	40049	48	DEC1	40100	99	CSAC
40003	2	C2 (input 2 value)	40050	49	RL1	40101	100	ALGO
40004	3	ALM (alarm status)	40051	50	RH1	40102	101	PID2
40005	4	ER (system error)	40052	51	CAL1	40103	102	PROC
40006	5	PROCESS DEVIATION	40053	52	RTD1	40104	103	STPT
40007	6	OUTPUT POWER	40054	53	FTR1	40105	104	EI1 STATUS
40008	7	SP1	40055	54	LIN1	40106	105	EI2 STATUS
40009	8	SP2	40056	55	IN2	40107	106	ANUN
40010	9	IDSP	40057	56	DEC2	40108	107	LOP
40011	10	ATM (A/M mode)	40058	57	RL2	40109	108	HIP
40012	11	EI1	40059	58	RH2	40110	109	ATSP
40013	12	EI2	40060	59	CAL2	40111	110	RP
40014	13	A2LO	40061	60	RTD2	40112	111	RATE
40015	14	A2HI	40062	61	LRNL	40113	112	LOC
40016	15	A3LO	40063	62	LRNH	40114	113	LOCK SYS
40017	16	A3HI	40064	63	FTR2	40115	114	LOCK PIDA
40020	19	AUT	40065	64	LIN2	40116	115	LOCK PIDB
40021	20	L R	40066	65	HUNT	40117	116	LOCK INPT
40022	21	PB1A	40067	66	SHYS	40118	117	LOCK OTPT
40023	22	RE1A	40068	67	OT1	40119	118	LOCK GLBL
40024	23	RA1A	40069	68	PRC1	40120	119	LOCK COM
40025	24	IT1A	40070	69	HYS1	40121	120	LOCK DIAG
40026	25	DE1A	40071	70	OT2	40122	121	LOCK CAL
40027	26	CT1A	40072	71	PRC2	40123	122	DATE
40028	27	PB2A	40073	72	HYS2	40124	123	SN TOP
40029	28	RE2A	40074	73	SP2C	40125	124	SN BOTTOM
40030	29	RA2A	40075	74	AL2	40126	125	AMB TEMP, °F
40031	30	IT2A	40076	75	A2SD	40127	126	AMB COUNTS
40032	31	DE2A	40077	76	LAT2	40128	127	GND COUNTS
40033	32	CT2A	40078	77	SIL2	40129	128	CH 1 COUNTS
40034	33	DBA	40079	78	OT3	40130	129	CH 2 COUNTS
40035	34	PB1B	40080	79	AL3	40131	130	ITY1
40036	35	RE1B	40081	80	A3SD	40132	131	ITY2
40037	36	RA1B	40082	81	HYS3	40133	132	OTY1
40038	37	IT1B	40083	82	LAT3	40134	133	OTY2
40039	38	DE1B	40084	83	SIL3	40135	134	OTY3
40040	39	CT1B	40091	90	AOUT	40136	135	OTY4
40041	40	PB2B	40092	91	PRC3	40137	136	DISP
40042	41	RE2B	40093	92	ARL	40138	137	TOUT
40043	42	RA2B	40094	93	ARH	40139	138	OPLP
40044	43	IT2B	40095	94	ACAL	40140	139	RST
40045	44	DE2B	40096	95	C F	40141	140	DFL
40046	45	CT2B	40097	96	FAIL	40142	141	SOFT
40047	46	DBB	40098	97	ERR	40143	142	RSP
						40144	143	SPEE
						40145	144	INSP

986, 987, 988, 989

Notes

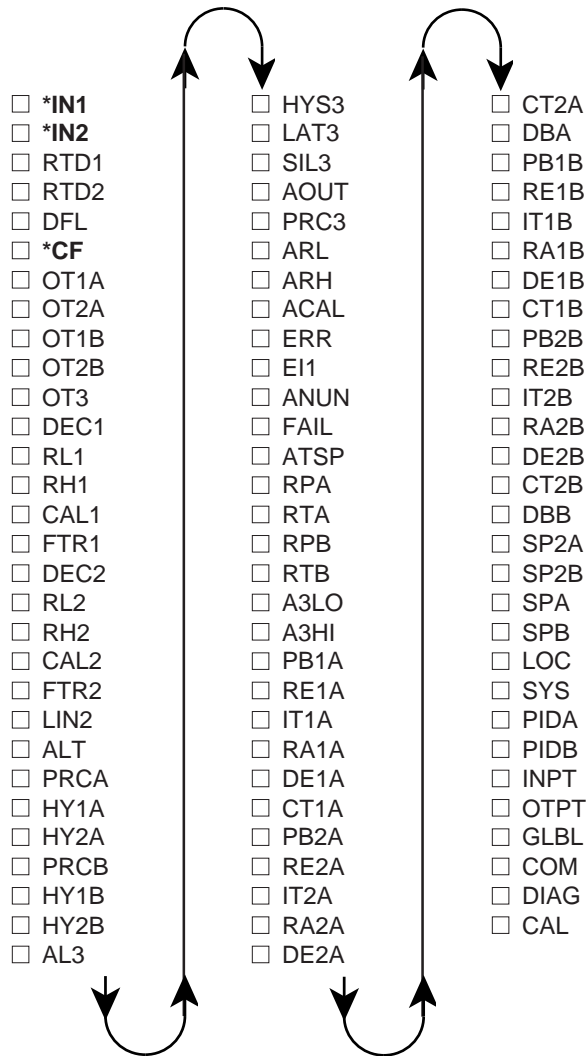
986, 987, 988, 989

Chapter 7 Command Summary of the Series 996-999

Complete Parameter Download Sequence

When you download a complete set of parameters to a controller, **you must load them in this order.** The user's manual has more information about prompt interaction.

Table 7.1 - Download Sequence



CAUTION: Entering commands out of sequence will produce unexpected results, because some prompts change the values of other prompts. Copy this page and use the checkboxes.

996, 997, 998, 999

* Wait at least two seconds after executing this command before going on to the next command.

Dual Channel Controller Prompt Table

Command Summary Series 996-999 Data Communications

Table 7.2 -
A3HI to ARL



CAUTION:
Avoid writing $\Leftarrow\Rightarrow$ continuously, such as ramping set points or repetitive loops, to the Series 996-999 EEPROM memory. Continuous writes may result in premature control failure, system downtime and damage to processes and equipment.

NOTE:
The number of decimal places returned by many of these commands is determined by the DEC1, DEC2, IN1 or IN2 setting. (This does not apply to Modbus Protocol.)

Name data.1 Modbus Address	Description	Read (?) and/or Write (=) Syntax	Range data.2
A3HI 341	Output 3 Alarm High	? <sp> A3HI<cr> = <sp> A3HI <sp> data.2 <cr>	Process: A3LO to sensor high range Deviation: 0 to 9999° Default: RH or 999°
A3LO 340	Output 3 Alarm Low	? <sp> A3LO <cr> = <sp> A3LO <sp> data.2 <cr>	Process: sensor low range to A3HI Deviation: -999 to 0° Default: RL or -999°
ACAL 746	Analog Offset	? <sp> ACAL <cr> = <sp> ACAL <sp> data.2 <cr>	-999 to 999°F -555 to 555°C -999 to 999 units Default: 0°F, 0°C, 0 units
AL3 736	Alarm 3 Type	? <sp> AL3 <cr> = <sp> AL3 <sp> data.2 <cr>	0 = Process Alarm, Input 2 (CH B) 1 = Deviation Alarm, Input 2 (CH B) 2 = Process Alarm, Input 1 (CH A) 3 = Deviation Alarm, Input 1 (CH A) Default: 2
ALM 110	Alarm Status (Writing a 0 clears next alarm.)	? <sp> ALM <cr> = <sp> ALM <sp> 0 <cr>	0 = No alarms occurring (0000 0000) Bit 3 = A3LO (0000 0100) Bit 4 = A3HI (0000 1000) 110 = Alarm 3 0 = off 1 = HI 2 = LO
ALT 1902	Altitude Compensation	? <sp> ALT <cr> = <sp> ALT <sp> data.2 <cr>	0 = 0 1 = 2500 feet 2 = 5000 feet default: 0
AMB 1500	Ambient Terminal Temperature	? <sp> AMB <cr>	Input 1 terminals in 0.0°F
ANUN 742	Alarm Annunciation	? <sp> ANUN <cr> = <sp> ANUN <sp> data.2 <cr>	0 = off 1 = on Default: on
AOUT 743	Analog Output 3 Retransmit Function	? <sp> AOUT <cr> = <sp> AOUT <sp> data.2 <cr>	0 = Retransmit Process Channel A 1 = Retransmit Set Point Channel A 2 = off 3 = Retransmit Process Channel B 4 = Retransmit Set Point Channel B Default: 0
ARH 745	Retransmit Range High	? <sp> ARH <cr> = <sp> ARH <sp> data.2 <cr>	ARL to 9999 Default: RH1 or RH2 per AOUT
ARL 744	Retransmit Range Low	? <sp> ARL <cr> = <sp> ARL <sp> data.2 <cr>	-999 to ARH Default: RL1 or RL2 per AOUT

Dual Channel Controller Prompt Table

Name data.1 Modbus Address	Description	Read (?) and/or Write (=) Syntax	Range data.2
ATM 301	Auto-Manual Key	? <sp> ATM <cr> = <sp> ATM <sp> data.2 <cr>	0 = Auto Mode Channels A and B 1 = Manual Mode Chan. A, Auto Chan. B 2 = Manual Mode Chan. B, Auto Chan. A 3 = Manual Mode Channels A and B Default: n/a Disabled if LOC = 2 or 3
ATSP 304	Auto-tune Set Point %	? <sp> ATSP <cr> = <sp> ATSP <sp> data.2 <cr>	50 to 150% Default: 90%
AUT 305	Auto-tune	? <sp> AUT <cr> = <sp> AUT <sp> data.2 <cr>	0 = No auto-tuning 1 = Tune Channel A PID 2 = Tune Channel B PID Default: off
C1 100	Input 1 Value	? <sp> C1 <cr>	Based on IN1 range ; RL1 to RH1
C2 104	Input 2 Value	? <sp> C2 <cr>	Based on IN2 range ; RL2 to RH2
CAL 1305	Lockout Calibration Menu	? <sp> CAL <cr> = <sp> CAL <sp> data.2 <cr>	0 = No lockout 1 = Read only 2 = No read or write Default: 0
CAL1 605	Input 1 Calibration Offset	? <sp> CAL1 <cr> = <sp> CAL1 <sp> data.2 <cr>	-999°F to 999°F -555°C to 555°C -999 Units to 999 Units Default: 0
CAL2 615	Input 2 Calibration Offset	? <sp> CAL2 <cr> = <sp> CAL2 <sp> data.2 <cr>	-999°F to 999°F -555°C to 555°C -999 Units to 999 Units Default: 0
CF 901	Degrees Select Display Loop	? <sp> CF <cr> = <sp> CF <sp> data.2 <cr>	0 = Display °F 1 = Display °C Default = 0
COM 1312	Lockout Comms Menu	? <sp> COM <cr> = <sp> COM <sp> data.2 <cr>	0 = No lockout 1 = Read only 2 = No read or write Default: 0
CT1A 506	Cycle Time Output 1 PID Channel A	? <sp> CT1A <cr> = <sp> CT1A <sp> data.2 <cr>	S.S. relay or open collector: 0.9 = Burst firing, or 1.0 to 999.9 sec. (Time prop) Mech relay: 5.0 to 999.9 sec. Default: 1.0 or 30.0 sec.
CT1B 526	Cycle Time Output 1 PID Channel B	? <sp> CT1B <cr> = <sp> CT1B <sp> data.2 <cr>	S.S. relay or open collector: 0.9 = Burst firing, or 1.0 to 999.9 sec. (Time prop) Mech relay: 5.0 to 999.9 sec. Default: 1.0 or 30.0 sec.
CT2A 516	Cycle Time Output 2 PID Channel A	? <sp> CT2A <cr> = <sp> CT2A <sp> data.2 <cr>	S.S. relay or open collector: 0.9 = Burst firing, or 1.0 to 999.9 sec. (Time prop) Mech relay: 5.0 to 999.9 sec. Default: 1.0 or 30.0 sec.
CT2B 536	Cycle Time Output 2 PID Channel B	? <sp> CT2B <cr> = <sp> CT2B <sp> data.2 <cr>	S.S. relay or open collector: 0.9 = Burst firing, or 1.0 to 999.9 sec. (Time prop) Mech relay: 5.0 to 999.9 sec. Default: 1.0 or 30.0 sec.
DATE 5	Factory Test Date	? <sp> DATE <cr>	xxyy xx = Week yy = Year

Table 7.3 -
ATM to DATE




CAUTION:
Avoid writing <=>
continuously,
such as ramping
set points or
repetitive loops, to
the Series 996-999
EEPROM memory.
Continuous writes
may result in
premature control
failure, system
downtime and
damage to
processes and
equipment.

NOTE:
The number of
decimal places
returned by many
of these com-
mands is deter-
mined by the
DEC1, DEC2, IN1
or IN2 setting.
(This does not
apply to Modbus
Protocol.)

996, 997, 998, 999

Dual Channel Controller Prompt Table

Table 7.4 -
DBA to ER


CAUTION:
Avoid writing <=> continuously, such as ramping set points or repetitive loops, to the Series 996-999 EEPROM memory. Continuous writes may result in premature control failure, system downtime and damage to processes and equipment.

NOTE:
The number of decimal places returned by many of these commands is determined by the DEC1, DEC2, IN1 or IN2 setting. (This does not apply to Modbus Protocol.)

Name data.1 Modbus Address	Description	Read (?) and/or Write (=) Syntax	Range data.2
DBA 505	Deadband PID Channel A	? <sp> DBA <cr> = <sp> DBA <sp> data.2 <cr>	-999°F to 999°F -555°C to 555°C -999 units to 999 units Default: 0°F, 0°C, or 0 units
DBB 525	Deadband PID Channel B	? <sp> DBB <cr> = <sp> DBB <sp> data.2 <cr>	-999°F to 999°F -555°C to 555°C -999 units to 999 units Default: 0°F, 0°C, or 0 units
DE1A 503	Derivative Output 1 PID Channel A	? <sp> DE1A <cr> = <sp> DE1A <sp> data.2 <cr>	0.00 to 9.99 minutes Default: 0.00
DE1B 523	Derivative Output 1 PID Channel B	? <sp> DE1B <cr> = <sp> DE1B <sp> data.2 <cr>	0.00 to 9.99 minutes Default: 0.00
DE2A 513	Derivative Output 2 PID Channel A	? <sp> DE2A <cr> = <sp> DE2A <sp> data.2 <cr>	0.00 to 9.99 minutes Default: 0.00
DE2B 533	Derivative Output 2 PID Channel B	? <sp> DE2B <cr> = <sp> DE2B <sp> data.2 <cr>	0.00 to 9.99 minutes Default: 0.00
DEC1 606	Decimal Point Process Input 1	? <sp> DEC1 <cr> = <sp> DEC1 <sp> data.2 <cr>	0 = Decimal point 0 1 = Decimal point 0.0 2 = Decimal point 0.00 3 = Decimal point 0.000 Default: 0
DEC2 616	Decimal Point Process Input 2	? <sp> DEC2 <cr> = <sp> DEC2 <sp> data.2 <cr>	0 = Decimal point 0 1 = Decimal point 0.0 2 = Decimal point 0.00 3 = Decimal point 0.000 Default: 0
DFL 900	Default Unit Type	? <sp> DFL <cr> = <sp> DFL <sp> data.2 <cr>	0 = US units 1 = Standard International units Default: 0
DIAG 1313	Lockout Diagnostics Menu	? <sp> DIAG <cr> = <sp> DIAG <sp> data.2 <cr>	0 = No lockout 1 = Read only 2 = No read or write Default: 0
EI1 1060	Event Input 1 Function	? <sp> EI1 <cr> = <sp> EI1 <sp> data.2 <cr>	0 = No 1 = LOC 2 = Alarm reset 3 = Toggle Auto/manual 4 = Turn control outputs off Default: No
EI1S 201	Event Input 1 Status	? <sp> EI1S <cr>	0 = off (open) 1 = on (closed)
ER 209	Error, Analog Input (Multiple errors possible.)	? <sp> ER <cr>	0 = No error 1 = Input 1 A-D overflow 2 = Input 1 overrange 3 = Input 1 underrange 4 = Input 1 A-D underflow 5 = Input 2 A-D overflow 6 = Input 2 overrange 7 = Input 2 underrange 8 = Input 2 A-D underflow 9 = Ambient error

Dual Channel Controller Prompt Table

Name data.1 Modbus Address	Description	Read (?) and/or Write (=) Syntax	Range data.2
ER2 n/a	Error, Communications	? <sp> ER2 <cr>	0 = No error 1 = Transmit buffer overflow 2 = Receive buffer overflow 3 = Framing error 4 = Overrun error 5 = Parity error 6 = Talking out of turn 7 = Invalid reply error 8 = Noise error 20 = Command not found 21 = Prompt not found 22 = Incomplete command line 23 = Invalid character 24 = Number of chars. overflow 25 = Input out of limit 26 = Read only command 27 = Write allowed only 28 = Prompt not active
ERR 607	Error, Latching Enable	? <sp> ERR <cr> = <sp> ERR <sp> data.2 <cr>	0 = Errors latching 1 = Errors non-latching Default: 1
FAIL 902	Sensor Failure Output Function Failure mode can be bumpless transfer or manual (% Power) control. See user's manual, Error Code Actions.	? <sp> FAIL <cr> = <sp> FAIL <sp> data.2 <cr>	Bumpless = LOP - 1% Heat/cool manual = -100 to 100% Heat only manual = 0% to 100% Cool only manual = -100% to 0% Default: Bumpless
FTR1 604	Process Input 1 Filter Time Constant	? <sp> FTR1 <cr> = <sp> FTR1 <sp> data.2 <cr>	-60 to 60 seconds Default: 0
FTR2 614	Process Input 2 Filter Time Constant	? <sp> FTR2 <cr> = <sp> FTR2 <sp> data.2 <cr>	-60 to 60 seconds Default: 0
GLBL 1311	Lockout Global Menu	? <sp> GLBL <cr> = <sp> GLBL <sp> data.2 <cr>	0 = No lockout 1 = Read only 2 = No read or write Default: 0
HY1A 507	Output 1A Hysteresis	? <sp> HY1A <cr> = <sp> HY1A <sp> data.2 <cr>	0°F to 999°F 0°C to 555°C 0 units to 999 units Default: 3°F, 2°C or 3 units
HY1B 527	Output 1B Hysteresis	? <sp> HY1B <cr> = <sp> HY1B <sp> data.2 <cr>	0°F to 999°F 0°C to 555°C 0 units to 999 units Default: 3°F, 2°C or 3 units
HY2A 517	Output 2A Hysteresis	? <sp> HY2A <cr> = <sp> HY2A <sp> data.2 <cr>	0°F to 999°F 0°C to 555°C 0 units to 999 units Default: 3°F, 2°C or 3 units
HY2B 537	Output 2B Hysteresis	? <sp> HY2B <cr> = <sp> HY2B <sp> data.2 <cr>	0°F to 999°F 0°C to 555°C 0 units to 999 units Default: 3°F, 2°C or 3 units
HYS3 737	Output 3 Hysteresis	? <sp> HYS3 <cr> = <sp> HYS3 <sp> data.2 <cr>	0°F to 999°F 0°C to 555°C 0 units to 999 units Default: 3°F, 2°C or 3 units

Table 7.5 -
ER2 to HYS3




CAUTION:
Avoid writing <=> continuously, such as ramping set points or repetitive loops, to the Series 996-999 EEPROM memory. Continuous writes may result in premature control failure, system downtime and damage to processes and equipment.

NOTE:
The number of decimal places returned by many of these commands is determined by the DEC1, DEC2, IN1 or IN2 setting. (This does not apply to Modbus Protocol.)

996, 997, 998, 999

Dual Channel Controller Prompt Table

Table 7.6 -
IN1 to INPT


CAUTION:
Avoid writing $\Leftarrow\Rightarrow$ continuously, such as ramping set points or repetitive loops, to the Series 996-999 EEPROM memory. Continuous writes may result in premature control failure, system downtime and damage to processes and equipment.

NOTE:
The number of decimal places returned by many of these commands is determined by the DEC1, DEC2, IN1 or IN2 setting.

NOTE:
(RTD setting)
For JIS curve, go to rtd1 prompt after selecting In1.

Name data.1 Modbus Address	Description	Read (?) and/or Write (=) Syntax	Range data.2
IN1 601	Input 1 Type (Caution: Writing to IN1 resets most prompts to their default state.)	? <sp> IN1 <cr> = <sp> IN1 <sp> data.2 <cr>	1 = J t/c; 32 to 1500°F/0 to 816°C 2 = K t/c; -328 to 2500°F/-200 to 1371°C 3 = T t/c; -328 to 750°F/-200 to 399°C 4 = N t/c; 32 to 2372°F/0 to 1300°C 5 = E t/c; -328 to 1470°F/-200 to 799°C 6 = C t/c (W3); 32 to 4200°F 0 to 2316°C 7 = D t/c (W5); 32 to 4200°F/0 to 2316°C 8 = Pt 2; 32 to 2543°F/0 to 1395°C 10 = R t/c; 32 to 3200°F/0 to 1760°C 11 = S t/c; 32 to 3200°F/0 to 1760°C 12 = B t/c; 1598 to 3300°F/870 to 1816°C 14 = 1° RTD (DIN); -328 to 1472°F/ -200 to 800°C 15 = 0.1° RTD (DIN); -99.9 to 999.9°F/ -99.9 to 700.0°C 17 = 4-20mA; -999 to 9999 units 18 = 0-20mA; -999 to 9999 units 19 = 0-5V \approx (dc); -999 to 9999 units 20 = 1-5V \approx (dc); -999 to 9999 units 21 = 0-10V \approx (dc); -999 to 9999 units 23 = 0-50mV \approx (dc); -999 to 9999 units 24 = 0-100mV \approx (dc); -999 to 9999 units
IN2 611	Input 2 Type (Caution: Writing to IN2 resets most prompts to their default states.)	? <sp> IN2 <cr> = <sp> IN2 <sp> data.2 <cr>	0 = t/c Low Gain off 1 = J t/c; 32 to 1500°F/0 to 816°C 2 = K t/c; -328 to 2500°F/-200 to 1371°C 3 = T t/c; -328 to 750°F/-200 to 399°C 4 = N t/c; 32 to 2372°F/0 to 1300°C 5 = E t/c; -328 to 1470°F/-200 to 799°C 6 = C t/c (W3); 32 to 4200°F 0 to 2316°C 7 = D t/c (W5); 32 to 4200°F/0 to 2316°C 8 = Pt 2; 32 to 2543°F/0 to 1395°C 10 = R t/c; 32 to 3200°F/0 to 1760°C 11 = S t/c; 32 to 3200°F/0 to 1760°C 12 = B t/c; 1598 to 3300°F/870 to 1816°C 14 = 1° RTD (DIN); -328 to 1472°F/ -200 to 800°C 15 = 0.1° RTD (DIN); -99.9 to 999.9°F/ -99.9 to 700.0°C 17 = 4-20mA; -999 to 9999 units 18 = 0-20mA; -999 to 9999 units 19 = 0-5V \approx (dc); -999 to 9999 units 20 = 1-5V \approx (dc); -999 to 9999 units 21 = 0-10V \approx (dc); -999 to 9999 units 23 = 0-50mV \approx (dc); -999 to 9999 units 24 = 0-100mV \approx (dc); -999 to 9999 units
INPT 1309	Lockout Input Menu	? <sp> INPT <cr> = <sp> INPT <sp> data.2 <cr>	0 = No input menu lockout 1 = Read only 2 = No read or write allowed Default: 0

996, 997, 998, 999

Dual Channel Controller Prompt Table

Name data.1 Modbus Address	Description	Read (?) and/or Write (=) Syntax	Range data.2
IT1A 501	Integral for Output 1 PID Channel A	? <sp> IT1A <cr> = <sp> IT1A <sp> data.2 <cr>	0.00 to 99.99 minutes per repeat Default: 0.00 minutes per repeat
IT1B 521	Integral for Output 1 PID Channel B	? <sp> IT1B <cr> = <sp> IT1B <sp> data.2 <cr>	0.00 to 99.99 minutes per repeat Default: 0.00 minutes per repeat
IT2A 511	Integral for Output 2 PID Channel A	? <sp> IT2A <cr> = <sp> IT2A <sp> data.2 <cr>	0.00 to 99.99 minutes per repeat Default: 0.00 minutes per repeat
IT2B 531	Integral for Output 2 PID Channel B	? <sp> IT2B <cr> = <sp> IT2B <sp> data.2 <cr>	0.00 to 99.99 minutes per repeat Default: 0.00 minutes per repeat
ITY1 8	Input 1 Hardware Type	? <sp> ITY1 <cr>	0 = None 1 = t/c only 4 = Input off 5 = Universal RTD 6 = Universal high gain t/c 7 = Universal low gain t/c 8 = Universal millivolts 9 = Universal process
ITY2 9	Input 2 Hardware Type	? <sp> ITY2 <cr>	0 = None 1 = t/c only 4 = Input off 5 = Universal RTD 6 = Universal high gain t/c 7 = Universal low gain t/c 8 = Universal millivolts 9 = Universal process
LAT3 738	Alarm 3 Latching	? <sp> LAT3 <cr> = <sp> LAT3 <sp> data.2 <cr>	0 = Latching alarms 1 = Non-latching alarms Default: 1
LIN2 618	Linearization Process Input 2	? <sp> LIN2 <cr> = <sp> LIN2 <sp> data.2 <cr>	0 = None 1 = Wet bulb 2 = Vaisala HMM-30C 3 = Rotronic H260 Default: 0
LOC 1300	Keyboard Lockout	? <sp> LOC <cr> = <sp> LOC <sp> data.2 <cr>	0 = No lockout 1 = Lock out mode key 2 = Lock out mode & auto/man keys 3 = Lock out all single keys Default: 0
MDL 0	Model Number	? <sp> MDL <cr>	998 (996 - 999 dual channel unit)
MOD 1900	Mode Key Action	= <sp> MOD <sp> 1 <cr>	0 = Mode to previous prompt 1 = Mode to next prompt
OT1A 700	Output 1 Channel A Action	? <sp> OT1A <cr> = <sp> OT1A <sp> data.2 <cr>	0 = Heat 1 = Cool 2 = None
OT1B 717	Output 1 Channel B Action	? <sp> OT1B <cr> = <sp> OT1B <sp> data.2 <cr>	0 = Heat 1 = Cool 2 = None
OT2A 716	Output 2 Channel A Action	? <sp> OT2A <cr> = <sp> OT2A <sp> data.2 <cr>	0 = Heat 1 = Cool 2 = None
OT2B 733	Output 2 Channel B Action	? <sp> OT2B <cr> = <sp> OT2B <sp> data.2 <cr>	0 = Heat 1 = Cool 2 = None
OT3 734	Output 3 Action	? <sp> OT3 <cr> = <sp> OT3 <sp> data.2 <cr>	0 = None 1 = Alarm 3 2 = Alarm 3 reverse acting

Table 7.7 -
IT1A to OT3



CAUTION:
Avoid writing <=> continuously, such as ramping set points or repetitive loops, to the Series 996-999 EEPROM memory. Continuous writes may result in premature control failure, system downtime and damage to processes and equipment.

NOTE:
The number of decimal places returned by many of these commands is determined by the DEC1, DEC2, IN1 or IN2 setting. (This does not apply to Modbus Protocol.)

996, 997, 998, 999

Dual Channel Controller Prompt Table

Table 7.8 -
OT3S to PB2B



CAUTION:
Avoid writing \Leftarrow continuously, such as ramping set points or repetitive loops, to the Series 996-999 EEPROM memory. Continuous writes may result in premature control failure, system downtime and damage to processes and equipment.

NOTE:
The number of decimal places returned by many of these commands is determined by the DEC1, DEC2, IN1 or IN2 setting. (This does not apply to Modbus Protocol.)

Name data.1 Modbus Address	Description	Read (?) and/or Write (=) Syntax	Range data.2
OT3S 1903	Output 3 Status	? <sp> OT3S <cr>	0 = off 1 = on
OTPT 1310	Lockout Output Menu	? <sp> OTPT <cr> = <sp> OTPT <sp> data.2 <cr>	0 = No lockout 1 = Read only 2 = No read or write Default: 0
OTY1 16	Output 1 Hardware	? <sp> OTY1 <cr>	0 = None
OTY2 17	Output 2 Hardware	? <sp> OTY2 <cr>	1 = SSR 0.5A
OTY3 18	Output 3 Hardware	? <sp> OTY3 <cr>	2 = SSR 0.5A with suppression
OTY4 19	Output 4 Hardware	? <sp> OTY4 <cr>	5 = Dual SSR Form A 6 = Switched dc 7 = Dual Switched dc 8 = Relay 5A Form C 9 = Relay 5A Form C with suppression 10 = Relay 5A Form A/B 11 = Relay 5A Form A/B with suppression 12 = Dual Relay Form A 13 = Process output 14 = Voltage retransmit 15 = Current retransmit 16 = Power supply 17 = Comms EIA-232 18 = Comms EIA -485 / EIA 422 19 = Comms EIA -485 / EIA-232
PB1A 500	Proportional Band Output 1 PID Channel A	? <sp> PB1A <cr> = <sp> PB1A <sp> data.2 <cr>	if DFL = 0 and CF = 1, then 0 to 555°C if DFL = 0 and CF = 0, then 0 to 999°F if DFL = 0 and IN1 = a process value, then 0 to 999 units if DFL = 1, then 0.0 to 99.9% of span Default: 25°F, 14°C, 25 units, or 3.0%
PB1B 520	Proportional Band Output 1 PID Channel B	? <sp> PB1B <cr> = <sp> PB1B <sp> data.2 <cr>	if DFL = 0 and CF = 1, then 0 to 555°C if DFL = 0 and CF = 0, then 0 to 999°F if DFL = 0 and IN1 = a process value, then 0 to 999 units if DFL = 1, then 0.0 to 99.9% of span Default: 25°F, 14°C, 25 units, or 3.0%
PB2A 510	Proportional Band Output 2 PID Channel A	? <sp> PB2A <cr> = <sp> PB2A <sp> data.2 <cr>	if DFL = 0 and CF = 1, then 0 to 555°C if DFL = 0 and CF = 0, then 0 to 999°F if DFL = 0 and IN1 = a process value, then 0 to 999 units if DFL = 1, then 0.0 to 99.9% of span Default: 25°F, 14°C, 25 units, or 3.0%
PB2B 530	Proportional Band Output 2 PID Channel B	? <sp> PB2B <cr> = <sp> PB2B <sp> data.2 <cr>	if DFL = 0 and CF = 1, then 0 to 555°C if DFL = 0 and CF = 0, then 0 to 999°F if DFL = 0 and IN1 = a process value, then 0 to 999 units if DFL = 1, then 0.0 to 99.9% of span Default: 25°F, 14°C, 25 units, or 3.0%

Dual Channel Controller Prompt Table

Name data.1 Modbus Address	Description	Read (?) and/or Write (=) Syntax	Range data.2
PIDA 1307	Lockout Channel A PID Menu	? <sp> PIDA <cr> = <sp> PIDA <sp> data.2 <cr>	0 = No lockout 1 = Read only 2 = No read or write Default: 0
PIDB 1308	Lockout Channel B PID Menu	? <sp> PIDB <cr> = <sp> PIDB <sp> data.2 <cr>	0 = No lockout 1 = Read only 2 = No read or write Default: 0
PRCA 701	Process Range Output Channel A	? <sp> PRCA <cr> = <sp> PRCA <sp> data.2 <cr>	0 = 4-20mA 1 = 0-20mA 2 = 0-5V ^{dc} 3 = 1-5V ^{dc} 4 = 0-10V ^{dc} Default: 0
PRCB 718	Process Range Output Channel B	? <sp> PRCB <cr> = <sp> PRCB <sp> data.2 <cr>	0 = 4-20mA 1 = 0-20mA 2 = 0-5V ^{dc} 3 = 1-5V ^{dc} 4 = 0-10V ^{dc} Default: 0
PRC3 735	Process Range Output 3	? <sp> PRC3 <cr> = <sp> PRC3 <sp> data.2 <cr>	0 = 4-20mA 1 = 0-20mA 2 = 0-5V ^{dc} 3 = 1-5V ^{dc} 4 = 0-10V ^{dc} Default: 0
RA1A 504	Rate Output 1 PID Channel A	? <sp> RA1A <cr> = <sp> RA1A <sp> data.2 <cr>	0.00 to 9.99 minutes Default: 0.00
RA1B 524	Rate Output 1 PID Channel B	? <sp> RA1B <cr> = <sp> RA1B <sp> data.2 <cr>	0.00 to 9.99 minutes Default: 0.00
RA2A 514	Rate Output 2 PID Channel A	? <sp> RA2A <cr> = <sp> RA2A <sp> data.2 <cr>	0.00 to 9.99 minutes Default: 0.00
RA2B 534	Rate Output 2 PID Channel B	? <sp> RA2B <cr> = <sp> RA2B <sp> data.2 <cr>	0.00 to 9.99 minutes Default: 0.00
RE1A 502	Reset Output 1 PID Channel A	? <sp> RE1A <cr> = <sp> RE1A <sp> data.2 <cr>	0.00 to 9.99 repeats/minute Default: 0.10 repeats/minute
RE1B 522	Reset Output 1 PID Channel B	? <sp> RE1B <cr> = <sp> RE1B <sp> data.2 <cr>	0.00 to 9.99 repeats/minute Default: 0.10 repeats/minute
RE2A 512	Reset Output 2 PID Channel A	? <sp> RE2A <cr> = <sp> RE2A <sp> data.2 <cr>	0.00 to 9.99 repeats/minute Default: 0.10 repeats/minute
RE2B 532	Reset Output 2 PID Channel B	? <sp> RE2B <cr> = <sp> RE2B <sp> data.2 <cr>	0.00 to 9.99 repeats/minute Default: 0.10 repeats/minute
RH1 603	Range High Input 1	? <sp> RH1 <cr> = <sp> RH1 <sp> data.2 <cr>	min. IN1 range to to max. IN1 range Default: Sensor high range
RH2 613	Range High Input 2	? <sp> RH2 <cr> = <sp> RH2 <sp> data.2 <cr>	min. IN2 range to to max. IN2 range Default: Sensor high range
RL1 602	Range Low Input 1	? <sp> RL1 <cr> = <sp> RL1 <sp> data.2 <cr>	min. IN1 range to to max. IN1 range Default: Sensor low range
RL2 612	Range Low Input 2	? <sp> RL2 <cr> = <sp> RL2 <sp> data.2 <cr>	min. IN2 range to to max. IN2 range Default: Sensor low range

Table 7.9 -
PIDA to RL2



CAUTION:
Avoid writing $\Leftarrow\Rightarrow$ continuously, such as ramping set points or repetitive loops, to the Series 996-999 EEPROM memory. Continuous writes may result in premature control failure, system downtime and damage to processes and equipment.

NOTE:
The number of decimal places returned by many of these commands is determined by the DEC1, DEC2, IN1 or IN2 setting. (This does not apply to Modbus Protocol.)

996, 997, 998, 999

Dual Channel Controller Prompt Table

Table 7.10 -
RPA to SYS



CAUTION:

Avoid writing <=> continuously, such as ramping set points or repetitive loops, to the Series 996-999 EEPROM memory. Continuous writes may result in premature control failure, system downtime and damage to processes and equipment.

NOTE:

The number of decimal places returned by many of these commands is determined by the DEC1, DEC2, IN1 or IN2 setting. (This does not apply to Modbus Protocol.)

Name data.1 Modbus Address	Description	Read (?) and/or Write (=) Syntax	Range data.2
RPA 1100	Ramping Initiation Channel A	? <sp> RPA <cr> = <sp> RPA <sp> data.2 <cr>	0 = off 1 = On startup 2 = On startup and set point change Default: 0
RPB 1104	Ramping Initiation Channel B	? <sp> RPB <cr> = <sp> RPB <sp> data.2 <cr>	0 = off 1 = On startup 2 = On startup and set point change Default: 0
RTA 1101	Ramp Rate Channel A	? <sp> RTA <cr> = <sp> RTA <sp> data.2 <cr>	0 to 9999°/minute Default: 100°/minute
RTB 1105	Ramp Rate Channel B	? <sp> RTB <cr> = <sp> RTB <sp> data.2 <cr>	0 to 9999°/minute Default: 100°/minute
RTD1 609	RTD Calibration Curve Input 1	? <sp> RTD1 <cr> = <sp> RTD1 <sp> data.2 <cr>	0 = JIS 1 = DIN Default: 1
RTD2 619	RTD Calibration Curve Input 2	? <sp> RTD2 <cr> = <sp> RTD2 <sp> data.2 <cr>	0 = JIS 1 = DIN Default: 1
SIL3 739	Alarm 3 Silence	? <sp> SIL3 <cr> = <sp> SIL3 <sp> data.2 <cr>	0 = off / disabled 1 = on / enabled Default: 0
SRNB 2	Serial Number Bottom Display Read the six-digit unit serial number in two segments, "SNxx" and "xxxx," i.e., as in the upper and lower front panel displays.	? <sp> SRNB <cr>	xxxx = 0000 to 9999
SRNT 1	Serial Number Top Display	? <sp> SRNT <cr>	SNxx = 00 to 99
SOFT 4	Software Revision	? <sp> SOFT <cr>	0 = Rev A 7 = Rev H 1 = Rev B 8 = Rev I 2 = Rev C 9 = Rev J 3 = Rev D 10 = Rev K 4 = Rev E 11 = Rev L 5 = Rev F 12 = Rev M 6 = Rev G 13 = Rev N etc.
SPA 300	Set Point Channel A	? <sp> SPA <cr> = <sp> SPA <sp> data.2 <cr>	RL1 to RH1 Default: per IN1 and hardware
SPB 319	Set Point Channel B	? <sp> SPB <cr> = <sp> SPB <sp> data.2 <cr>	RL2 to RH2 Default: per IN1 and hardware
SP2A 309	Set Point 2 Channel A Heat/Heat or Cool/Cool Only	? <sp> SP2A <cr> = <sp> SP2A <sp> data.2 <cr>	RL1 to RH1 Default: per input range
SP2B 328	Set Point 2 Channel B Heat/Heat or Cool/Cool Only	? <sp> SP2B <cr> = <sp> SP2B <sp> data.2 <cr>	RL2 to RH2 Default: per input range
SYS 1306	Lockout System Menu	? <sp> SYS <cr> = <sp> SYS <sp> data.2 <cr>	0 = No lockout 1 = Read only 2 = No read or write Default: 0

Dual Channel Controller Prompt Table

Name data.1 Modbus Address	Description	Read (?) and/or Write (=) Syntax	Range data.2
TOUT 1514	Test Outputs	= <sp> TOUT <sp> data.2 <cr>	0 = All off 1 = Output 1A on 2 = Output 2A on 3 = Output 1B on 4 = Output 2B on 5 = Output 3 on 6 = Output 4 on

Table 7.11 -
SYS to TOUT



CAUTION:
Avoid writing <=> continuously, such as ramping set points or repetitive loops, to the Series 996-999 EEPROM memory. Continuous writes may result in premature control failure, system downtime and damage to processes and equipment.

NOTE:
The number of decimal places returned by many of these commands is determined by the DEC1, DEC2, IN1 or IN2 setting. (This does not apply to Modbus Protocol.)

996, 997, 998, 999

Table 7.12 -
Modbus RTU
Addresses

Table 7.12 - 998 Modbus RTU Addresses

Relative Address			Relative Address			Relative Address		
Absolute Address	Relative Address	Parameter	Absolute Address	Relative Address	Parameter	Absolute Address	Relative Address	Parameter
40001	0	MDL (998)	40517	516	CT2A	40735	734	OT3
40002	1	SRNT	40518	517	HY2A	40737	736	AL3
40003	2	SRNB	40521	520	PB1B	40738	737	HYS3
40005	4	SOFT	40522	521	IT1B	40739	738	LAT3
40006	5	DATE	40523	522	RE1B	40740	739	SIL3
40009	8	ITY1	40524	523	DE1B	40743	742	ANUN
40010	9	ITY2	40525	524	RA1B	40736	735	PRC3
40017	16	OTY1	40526	525	DBB	40744	743	AOUT
40018	17	OTY2	40527	526	CT1B	40745	744	ARL
40019	18	OTY3	40528	527	HY1B	40746	745	ARH
40020	19	OTY4	40531	530	PB2B	40747	746	ACAL
40025	24	SPEE	40532	531	IT2B	40901	900	DFL
40101	100	C1	40533	532	RE2B	40902	901	C F
40105	104	C2	40534	533	DE2B	40903	902	FAIL
40111	110	ALM	40535	534	RA2B	41061	1060	EI1
40202	201	EI1S	40537	536	CT2B	41101	1100	RPA
40210	209	ER	40538	537	HY2B	41102	1101	RTA
40301	300	SPA	40602	601	IN1	41105	1104	RPB
40302	301	ATM	40603	602	RL2	41106	1105	RTB
40305	304	ATSP	40604	603	RH1	41301	1300	LOC
40306	305	AUT	40605	604	FTR1	41306	1305	CAL
40310	309	SP2A	40606	605	CAL1	41307	1306	SYS
40320	319	SPB	40607	606	DEC1	41308	1307	PIDA
40329	328	SP2B	40608	607	ERR	41309	1308	PIDB
40341	340	A3LO	40610	609	RTD1	41310	1309	INPT
40342	341	A3HI	40612	611	IN2	41311	1310	OTPT
40501	500	PB1A	40613	612	RL2	41312	1311	GLBL
40502	501	IT1A	40614	613	RH2	41313	1312	COM
40503	502	RE1A	40615	614	FTR2	41314	1313	DIAG
40504	503	DE1A	40616	615	CAL2	41501	1500	AMB
40505	504	RA1A	40617	616	DEC2	41515	1514	TOUT
40506	505	DBA	40619	618	LIN2	41901	1900	MOD
40507	506	CT1A	40620	619	RTD2	41902	1901	DISP
40508	507	HY1A	40701	700	OT1A	41903	1902	ALT
40511	510	PB2A	40702	701	PRCA	41904	1903	OT3S
40512	511	IT2A	40717	716	OT2A			
40513	512	RE2A	40718	717	OT1B			
40514	513	DE2A	40719	718	PRCB			
40515	514	RA2A	40734	733	OT2B			

Appendix

Handling Communication Error Codes (ER2)

All communications-related error codes are ER2 error codes, that is, they are not considered cause for a shutdown of the unit itself. There is always a communications error code generated when a <NAK> character is sent under ANSI X3.28 protocol. With XON/XOFF flow control, error codes may be generated, but there will be no standard indication of this fact.

When your message is "not acknowledged" (NAK) in EIA-422 or EIA-485 with ANSI X3.28 Protocol, you may clear ER2 codes by reading it. Use the " ? <sp> ER2 <cr>" command.

Then try the message again; you may have made a syntax error. See the ER2 error code list in Chapters 5, 6 and 7.

With XON/XOFF protocol and the EIA-232 interface, the Series 981-984, 986-989 and 996-999 sends no feedback on commands. Therefore, you may want to query the status of ER2 after each command you send.

User Responsibility



Users must refrain from altering prompts that do not appear on the controller's front panel or are not included on the specific model. For example, do not send an A2LO command to a unit not equipped with an alarm for output 2.

Warranty

The Watlow Series 988 family of controllers is warranted to be free of defects in material and workmanship for 36 months after delivery to the first purchaser for use, providing that the units have not been misapplied. Since Watlow has no control over their use, and sometimes misuse, we cannot guarantee against failure. Watlow's obligations hereunder, at Watlow's option, are limited to replacement, repair or refund of purchase price, and parts which upon examination prove to be defective within the warranty period specified. This warranty does not apply to damage resulting from transportation, alteration, misuse or abuse.



CAUTION:
Sending commands to a particular controller for which it is not equipped may cause damage to equipment and/or processes.



CAUTION:
Avoid writing <=> continuously, such as ramping set points or repetitive loops, to the controller's EEPROM memory. Continuous writes may result in premature control failure, system downtime and damage to processes and equipment.

ASCII

ASCII Character Set											
Dec	Hex	Char	Dec	Hex	Char	Dec	Hex	Char	Dec	Hex	Char
00	00	NUL	16	10	DLE	32	20	SP	48	30	0
01	01	SOH	17	11	DC1	33	21	!	49	31	1
02	02	STX	18	12	DC2	34	22	"	50	32	2
03	03	ETX	19	13	DC3	35	23	#	51	33	3
04	04	EOT	20	14	DC4	36	24	\$	52	34	4
05	05	ENQ	21	15	NAK	37	25	%	53	35	5
06	06	ACK	22	16	SYN	38	26	&	54	36	6
07	07	BEL	23	17	ETB	39	27	'	55	37	7
08	08	BS	24	18	CAN	40	28	(56	38	8
09	09	HT	25	19	EM	41	29)	57	39	9
10	0A	LF	26	1A	SUB	42	2A	*	58	3A	:
11	0B	VT	27	1B	ESC	43	2B	+	59	3B	;
12	0C	FF	28	1C	FS	44	2C	,	60	3C	<
13	0D	CR	29	1D	GS	45	2D	-	61	3D	=
14	0E	SO	30	1E	RS	46	2E	.	62	3E	>
15	0F	SI	31	1F	US	47	2F	/	63	3F	?
Dec	Hex	Char	Dec	Hex	Char	Dec	Hex	Char	Dec	Hex	Char
64	40	@	80	50	P	96	60	`	112	70	p
65	41	A	81	51	Q	97	61	a	113	71	q
66	42	B	82	52	R	98	62	b	114	72	r
67	43	C	83	53	S	99	63	c	115	73	s
68	44	D	84	54	T	100	64	d	116	74	t
69	45	E	85	55	U	101	65	e	117	75	u
70	46	F	86	56	V	102	66	f	118	76	v
71	47	G	87	57	W	103	67	g	119	77	w
72	48	H	88	58	X	104	68	h	120	78	x
73	49	I	89	59	Y	105	69	i	121	79	y
74	4A	J	90	5A	Z	106	6A	j	122	7A	z
75	4B	K	91	5B	[107	6B	k	123	7B	{
76	4C	L	92	5C	\	108	6C	l	124	7C	
77	4D	M	93	5D]	109	6D	m	125	7D	}
78	4E	N	94	5E	^	110	6E	n	126	7E	~
79	4F	O	95	5F	_	111	6F	o	127	7F	DEL

Table A.2a -
ASCII Character Set.

ASCII Control Characters (Partial Set)				
ASCII Char.	Ctrl Key Equiv.	Definition	Dec. Equiv.	Hex. Equiv.
ENQ	Ctrl E	Enquiry	5	05
ACK	Ctrl F	Acknowledge	6	06
NAK	Ctrl U	Neg. Acknowledge	21	15
STX	Ctrl B	Start of Text	2	02
ETX	Ctrl C	End of Text	3	03
EOT	Ctrl D	End of Transmission	4	04
DLE	Ctrl P	Data Link Escape	16	10
CR	Ctrl M	Carriage Return	13	0D
DC1	Ctrl Q	XON	17	11
DC3	Ctrl S	XOFF	19	13

Table A.2b -
ASCII Control
Characters
(Partial Set).

Symbols

+ 4.1
 - 4.1
 <> 4.1, 4.2
 <cr> 4.2
 <space> 4.2
 = Command 4.1-4.3, 4.5
 ? Command 4.1, 4.3, 4.5
7E 3.2
7o 3.2
8n 3.2
Addr 3.2
bAUD 3.2
CONF 3.2
DATA 3.2
FULL 3.2
IntF 3.2
Mod 3.2
On 3.2
Prob 3.2
SEt 3.2

A

A2LO A.1
 Abort Set Point 5.3
 ACK 1.6-1.7
 acknowledge <ACK> 1.6-1.7
 Action

Output 1
 981-984 [OT1] 5.8
 986-989 [OT1] 6.13
 996-999 [OT1A], [OT1B] 7.7
 Output 2
 981-984 [OT2] 5.8
 986-989 [OT2] 6.13
 996-999 [OT2A], [OT2B] 7.7

address prompt 3.1, 4.4

Addr 3.2

Alarm

Annunciation [ANUN]
 981-984 5.4
 986-989 6.8
 996-999 7.2
 Status [ALM]
 981-984 5.3
 986-989 6.7
 996-999 7.2

Alarm 2

Latching [LAT2]
 981-984 5.7
 986-989 6.13
 Silence [SIL2]
 981-984 5.10
 986-989 6.16
 Type [AL2]
 981-984 5.3
 986-989 6.7

Alarm 3

Latching [LAT3]
 981-984 5.7
 986-989 6.13
 996-999 7.7
 Silence [SIL3]
 981-984 5.10
 986-989 6.16
 996-999 7.10
 Type [AL3]
 981-984 5.3

986-989 6.7
 996-999 7.2

Algorithm [ALGO]

986-989 6.7

Altitude Compensation [ALT]

996-999 7.2

Ambient Terminal Temperature [AMB]

981-984 5.3

986-989 6.8

996-999 7.2

Analog

Offset [ACAL]

986-989 6.7

996-999 7.2

Output 3 Retransmit [AOUT]

981-984 5.4

986-989 6.8

996-999 7.2

ANSI X3.28 Protocol 3.1-3.2, 4.1-4.5, A.1

ANSI X3.28 Protocol rules 4.3-4.5

ASCII characters 1.4, 4.1, A.2

ASCII control characters A.2

Auto-Manual Key [ATM]

986-989 6.8

996-999 7.3

Auto-tune [AUT]

981-984 5.4

986-989 6.8

996-999 7.3

Auto-tune Set Point % [ATSP]

981-984 5.4

986-989 6.8

996-999 7.3

B

baud rate 1.5, 3.2

bAUD 3.2

Black Box 2.1

brackets [< >] 4.1

Burr Brown LDM 422A converter 2.4

Burr-Brown 2.1

bus 1.2

C

Calibration Menu Lockout [CAL]

986-989 6.8

996-999 7.3

Calibration Offset

Retransmit Output [ACAL]

981-984 5.3

Input 1 [CAL1]

981-984 5.4

986-989 6.8

996-999 7.3

Input 2 [CAL2]

981-984 5.4

986-989 6.8

996-999 7.3

Carriage Return < cr > 4.2

Cascade Action [CSAC] 6.8

Channel A PID Lockout [PIDA]

996-999 7.9

Channel B PID Lockout [PIDB]

996-999 7.9

character set A.2

COM Menu **CONF** 3.2

Prompts 3.2

command list 4.1

Comms Menu Lockout [COM]

986-989 6.8

996-999 7.3

communications software 3.1

Communications Menu 2.1

connecting 3.1

control character definitions 1.6

control characters 1.4, A.2

Control Function [CNTL]

986-989 6.8

Current Profile Set Point [CSP]

981-984 5.4

Cyclical Redundancy Checksum

(CRC) 6.1-6.3, 6.5

algorithm 6.5

Cycle Time

Output 1 [CT1]

981-984 5.4

Output 1 PID [CT1A], [CT1B]

986-989 6.8, 6.9

996-999 7.3

Output 2 [CT2]

981-984 5.4

Output 2 PID [CT2A], [CT2B]

986-989 6.9

996-999 7.3

D

data bits **DATA** 3.2

data fields 4.1

Data Link Escape <DLE> 1.4

data rules 4.1

data.n 4.1

Dead Band PID

981-984 [DB] 5.4

986-989 [DBA], [DBB] 6.9

996-999 [DBA], [DBB] 7.4

Decimal Point

Input 1 [DEC1]

981-984 5.5

986-989 6.9

996-999 7.4

Input 2 [DEC2]

986-989 6.9

996-999 7.4

Default Unit Type [DFL]

981-984 5.5

986-989 6.9

996-999 7.4

Degrees Select Display Loop [CF]

981-984 5.4

986-989 6.8

996-999 7.3

delay 5.1, 6.6, 7.1

Derivative PID

Output 1

981-984 [DE1] 5.4

986-989 [DE1A], [DE1B] 6.9

996-999 [DE1A], [DE1B] 7.4

Output 2

981-984 [DE2] 5.5

986-989 [DE2A], [DE2B] 6.9

996-999 [DE2A], [DE2B] 7.4

device address 4.4

Diagnostics Menu Lockout [DIAG]

986-989 6.9

996-999 7.4

DISPLAY key 1.6

Index

DLE 1.6-1.7

download sequence

981-984 5.1
986-989 6.6
996-999 7.1

E

EIA-232 1.3, 2.1, 4.2

EIA-422 1.3, 2.1, A.1

EIA-422 wiring 2.4

EIA-485 1.3, 2.1, A.1

EIA-485 wiring 2.3

Elapsed Jump Count [EJC]

981-984 5.5

End of Text <ETX> 1.6-1.7, 4.2

End of Transmission <EOT> 1.6-1.7

End Set Point [ENSP]

981-984 5.5

ENQ 1.6-1.7

enquiry <ENQ> 1.7

EOT 1.6-1.7

ER2 A.1

Error

Analog Input [ER]

981-984 5.5
986-989 6.10
996-999 7.4

Codes A.1

Communications [ER2]

981-984 5.6
986-989 6.10
996-999 7.5

Latching Enable [ERR]

981-984 5.6
986-989 6.10
996-999 7.5

establish communications 4.5

ETX 1.6-1.7, 4.2

even parity 1.5

Event 3 Output State [ENT3]

981-984 5.5

Event 4 Output State [ENT4]

981-984 5.5

Event Input 1

Function [EI1]

981-984 5.5
986-989 6.10
996-999 7.4

Status [EI1S]

981-984 5.5
986-989 6.10
996-999 7.4

Event Input 2

Function [EI2]

981-984 5.5
986-989 6.10

Status [EI2S]

981-984 5.5
986-989 6.10

example format 4.2

F

Factory Test Date [DATE]

981-984 5.4
986-989 6.9

996-999 7.3

Filter Time Constant

981-984 [FTR1] 5.6
986-989 [FTR1], [FTR2] 6.11
996-999 [FTR1], [FTR2] 7.5

flow control 4.2

front panel, controller 3.2

G

Global Menu Lockout [GLBL]

986-989 6.11
996-999 7.5

Guaranteed Soak Deviation [GSD]

981-984 5.6

H

Hardware Type

Input 1 [ITY1]

981-984 5.7
986-989 6.12
996-999 7.7

Input 2 [ITY2]

981-984 5.7
986-989 6.13
996-999 7.7

Output 1 [OTY1]

981-984 5.9
986-989 6.14
996-999 7.8

Output 2 [OTY2]

981-984 5.9
986-989 6.14
996-999 7.8

Output 3 [OTY3]

981-984 5.9
986-989 6.14
996-999 7.8

Output 4 [OTY4]

981-984 5.9
986-989 6.14
996-999 7.8

hex string 4.2

hexadecimal [hex] 1.4

High Power Limit [HIP]

981-984 5.6
986-989 6.11

Hysteresis

Output 1

981-984 [HYS1] 5.6
986-989 [HYS1] 6.11
996-999 [HY1A], [HY1B] 7.5

Output 2

981-984 [HYS2] 5.6
986-989 [HYS2] 6.11
996-999 [HY2A], [HY2B] 7.5

Output 3 [HYS3]

981-984 5.6
986-989 6.11
996-999 7.5

I

Idle Set Point [IDSP]

981-984 5.7
986-989 6.11

increment key 2.1

Input 1

Calibration Offset [CAL1]

981-984 5.4
986-989 6.8

996-999 7.3

Decimal Point [DEC1]

981-984 5.5
986-989 6.9
996-999 7.4

Event Function [EI1]

981-984 5.5
986-989 6.10
996-999 7.4

Event Status [EI1S]

981-984 5.5
986-989 6.10
996-999 7.4

Hardware Type [ITY1]

981-984 5.7
986-989 6.12
996-999 7.7

Range High [RH1]

981-984 5.10
986-989 6.15
996-999 7.9

Range Low [RL1]

981-984 5.10
986-989 6.16
996-999 7.9

RTD Calibration [RTD1]

981-984 5.10
986-989 6.16
996-999 7.10

Type [IN1]

981-984 5.7
986-989 6.11
996-999 7.6

Value [C1]

981-984 5.4
986-989 6.8
996-999 7.3

Input 2

Calibration Offset [CAL2]

981-984 5.4
986-989 6.8
996-999 7.3

Decimal Point [DEC2]

986-989 6.9
996-999 7.4

Event Function [EI2]

981-984 5.5
986-989 6.10

Event Status [EI2S]

981-984 5.5
986-989 6.12

Hardware Type [ITY2]

981-984 5.7
986-989 6.13
996-999 7.7

Range High [RH2]

981-984 5.10
986-989 6.15
996-999 7.9

Range Low [RL2]

981-984 5.10
986-989 6.16
996-999 7.9

RTD Calibration [RTD2]

986-989 6.16
996-999 7.10

Type [IN2]

981-984 5.7
986-989 6.12
996-999 7.6

Value [C2]

981-984 5.4
 986-989 6.8
 996-999 7.3

Input Menu Lockout [INPT]
 986-989 6.12
 996-999 7.6

Integral
 Output 1
 981-984 [IT1] 5.7
 986-989 [IT1A], [IT1B] 6.12
 996-999 [IT1A], [IT1B] 7.7
 Output 2
 981-984 [IT2] 5.7
 986-989 [IT2A], [IT2B] 6.12
 996-999 [IT2A], [IT2B] 7.7

interface prompt [InPF] 2.1
interface type [InPF] 3.2

K

Keyboard Lockout [LOC]
 981-984 5.8
 986-989 6.13
 996-999 7.7

L

leading zeros 4.1
Learn High Slide Wire [LRNH]
 981-984 5.8
 986-989 6.13

Learn Low Slide Wire [LRNL]
 981-984 5.8
 986-989 6.13

Linearization Process Input 1 [LIN1]
 986-989 6.13

Linearization Process Input 2 [LIN2]
 986-989 6.13
 996-999 7.7

Local-Remote Set Point [LR]
 986-989 6.13

Lockout
 Calibration Menu [CAL]
 986-989 6.8
 996-999 7.3
 Channel A PID [PIDA]
 986-989 6.12
 996-999 7.6
 Channel B PID [PIDB]
 986-989 6.12
 996-999 7.6
 Comms Menu [COM]
 986-989 6.8
 996-999 7.3
 Diagnostics Menu [DIAG]
 986-989 6.9
 996-999 7.4
 Global Menu [GLBL]
 986-989 6.11
 996-999 7.5
 Input Menu [INPT]
 986-989 6.12
 996-999 7.6
 Output Menu [OTPT]
 986-989 6.14
 996-999 7.8
 PID Set A Menu [PIDA]
 986-989 6.14
 PID Set B Menu [PIDB]
 986-989 6.14
 996-999 7.8
 System Menu [SYS]
 986-989 6.17
 996-999 7.11

Low Power Limit [LOP]

981-984 5.8
 986-989 6.13

M

master device 1.1
maximum communications speed 4.3, 4.5
message syntax 4.1
Modbus [Mod] 3.2, 6.1-6.5
 address table 6.18

MODE key 2.1
Mode Key Action [MOD]
 981-984 5.8
 986-989 6.13
 996-999 7.7

Model Number [MDL]
 981-984 5.8
 986-989 6.13

Monitor Command [MTR]
 981-984 5.8, 5.12

multidrop
 interface 2.1
 network 2.1
 system 1.3

multiple devices 1.2

N

NAK 1.6, A.1
Negative Acknowledge <NAK> 1.6, A.1-A.2
no parity 1.5
not acknowledged 1.6, A.1

O

odd parity 1.5
Output 1
 Action
 981-984 [OT1] 5.8
 986-989 [OT1] 6.13
 996-999 [OT1A], [OT1B] 7.7
 Derivative PID
 981-984 [DE1] 5.4
 986-989 [DE1A], [DE1B] 6.9
 996-999 [DE1A], [DE1B] 7.4
 Hardware Type [OTY1]
 981-984 5.9
 986-989 6.14
 996-999 7.8
 Hysteresis
 981-984 [HYS1] 5.6
 986-989 [HYS1] 6.11
 996-999 [HY1A], [HY1B] 7.5
 Integral
 981-984 [IT1] 5.7
 986-989 [IT1A], [IT1B] 6.12
 996-999 [IT1A], [IT1B] 7.7
 Process Range [PRC1]
 981-984 5.9
 986-989 6.15
 Proportional Band
 981-984 [PB1] 5.9
 986-989 [PB1A], [PB1B] 6.14
 996-999 [PB1A], [PB1B] 7.8
 Rate
 981-984 [RA1] 5.10
 986-989 [RA1A], [RA1B] 6.15
 996-999 [RA1A], [RA1B] 7.9
 Reset [RE1]
 981-984 5.10

Reset PID [RE1A], [RE1B]
 986-989 6.15
 996-999 7.9

Output 2
 Action
 981-984 [OT2] 5.8
 986-989 [OT2] 6.13
 996-999 [OT2A], [OT2B] 7.7
 Alarm High [A2HI]
 981-984 5.3
 986-989 6.7
 Alarm Low [A2LO]
 981-984 5.3
 986-989 6.7
 Derivative PID
 981-984 [DE2] 5.4
 986-989 [DE2A], [DE2B] 6.9
 996-999 [DE2A], [DE2B] 7.4
 Hardware Type [OTY2]
 981-984 5.9
 986-989 6.14
 996-999 7.8
 Hysteresis
 981-984 [HYS2] 5.6
 986-989 [HYS2] 6.11
 996-999 [HY2A], [HY2B] 7.5
 Integral
 981-984 [IT2] 5.7
 986-989 [IT2A], [IT2B] 6.12
 996-999 [IT2A], [IT2B] 7.7
 Process Range [PRC2]
 981-984 5.9
 986-989 6.15
 Proportional Band
 981-984 [PB2] 5.9
 986-989 [PB2A], [PB2B] 6.14
 996-999 [PB2A], [PB2B] 7.8
 Rate
 981-984 [RA2] 5.10
 986-989 [RA2A], [RA2B] 6.15
 996-999 [RA2A], [RA2B] 7.9
 Reset [RE2]
 981-984 5.10
 Reset PID [RE2A], [RE2B]
 986-989 6.15
 996-999 7.9

Output 3
 Action [OT3]
 981-984 5.8
 986-989 6.14
 996-999 7.8
 Alarm High [A3HI]
 981-984 5.3
 986-989 6.7
 996-999 7.2
 Alarm Low [A3LO]
 981-984 5.3
 986-989 6.7
 996-999 7.2
 Analog Retransmit [AOUT]
 981-984 5.4
 986-989 6.8
 996-999 7.2

Index

- Hardware Type [OTY3]
 - 981-984 5.9
 - 986-989 6.14
 - 996-999 7.8
- Hysteresis [HYS3]
 - 981-984 5.6
 - 986-989 6.11
 - 996-999 7.5
- Process Range [PRC3]
 - 981-984 5.9
 - 986-989 6.15
 - 996-999 7.9
- Status [OT3S]
 - 996-999 7.8
- Output 4**
 - Hardware Type [OTY4]
 - 981-984 5.9
 - 986-989 6.14
 - 996-999 7.8
- Output Menu Lockout [OTPT]**
 - 986-989 6.14
 - 996-999 7.8
- Output Process Range**
 - Channel A [PRCA]
 - 996-999 7.9
 - Channel B [PRCB]
 - 996-999 7.9
- Output State**
 - Event 3 981-984 [ENT3] 5.5
 - Event 4 981-984 [ENT4] 5.5
- Outputs, Test [TOUT]**
 - 981-984 5.11
 - 986-989 6.17
 - 996-999 7.11
- P**
- parity 3.2**
- parity bit 1.4**
- Percent Power Output [PWR]**
 - 981-984 5.10
 - 986-989 6.15
- PID Set A Menu Lockout [PIDA]**
 - 986-989 6.14
- PID Set B Menu Lockout [PIDB]**
 - 986-989 6.14
- PID Set Crossover [PID2]**
 - 986-989 6.15
- Power Outage Response [POUT]**
 - 981-984 5.9
- Process Deviation Display [DEV]**
 - 981-984 5.5
 - 986-989 6.9
- Process Range**
 - Output [PRCA], [PRCB]
 - 996-999 7.9
 - Output 1 [PRC1]
 - 981-984 5.9
 - 986-989 6.15
 - Output 2 [PRC2]
 - 981-984 5.9
 - 986-989 6.15
 - Output 3 [PRC3]
 - 981-984 5.9
 - 986-989 6.15
 - 996-999 7.9
- Process Value for PID Switch [PROC]**
 - 986-989 6.15
- Program a File Step [STP]**
 - 981-984 5.11
- Program Start Point [PSTR]**
 - 981-984 5.9
- Program Type [PTYP]**
 - 981-984 5.9
- Prompts, COM Menu 3.2**
- Proportional Band**
 - Output 1
 - 981-984 [PB1] 5.9
 - 986-989 [PB1A], [PB1B] 6.14
 - 996-999 [PB1A], [PB1B] 7.8
 - Output 2
 - 981-984 [PB2] 5.9
 - 986-989 [PB2A], [PB2B] 6.14
 - 996-999 [PB2A], [PB2B] 7.8
- Protocol 1.1**
 - prompt **Prot** 3.1-3.2
 - XON/XOFF RS-232 4.2
- pull-down resistors 2.3**
- Q**
- Query Any Step**
 - Program [STP] 5.13
- Quick BASIC 1.5**
- R**
- Ramp Rate**
 - 986-989 [RATE] 6.16
 - 996-999 [RTA], [RTB] 7.10
- Ramping Initiation**
 - 986-989 [RP] 6.16
 - 996-999 [RPA], [RPB] 7.10
- Range High**
 - Input 1 [RH1]
 - 981-984 5.10
 - 986-989 6.15
 - 996-999 7.9
 - Input 2 [RH2]
 - 981-984 5.10
 - 986-989 6.15
 - 996-999 7.9
 - Retransmit [ARH]
 - 981-984 5.4
 - 986-989 6.8
 - 996-999 7.2
- Range Low**
 - Input 1 [RL1]
 - 981-984 5.10
 - 986-989 6.16
 - 996-999 7.9
 - Input 2 [RL2]
 - 981-984 5.10
 - 986-989 6.16
 - 996-999 7.9
 - Retransmit [ARL]
 - 981-984 5.4
 - 986-989 6.8
 - 996-999 7.2
- Rate**
 - Output 1
 - 981-984 [RA1] 5.10
 - 986-989 [RA1A], [RA1B] 6.15
 - 996-999 [RA1A], [RA1B] 7.9
 - Output 2
 - 981-984 [RA2] 5.10
 - 986-989 [RA2A], [RA2B] 6.15
- 996-999 [RA2A], [RA2B] 7.9
- remote device 1.1**
- Remote Set Point [RSP]**
 - 986-989 6.16
- Reset**
 - Output 1 [RE1]
 - 981-984 5.10
 - Output 1 PID [RE1A], [RE1B]
 - 986-989 6.15
 - 996-999 7.9
 - Output 2 [RE2]
 - 981-984 5.10
 - Output 2 PID [RE2A], [RE2B]
 - 986-989 6.15
 - 996-999 7.9
- Resume a Program [RESU]**
 - 981-984 5.10
- Retransmit**
 - Range High [ARH]
 - 981-984 5.4
 - 986-989 6.8
 - 996-999 7.2
 - Range Low [ARL]
 - 981-984 5.4
 - 986-989 6.8
 - 996-999 7.2
- RTD Calibration**
 - Input 1 [RTD1]
 - 981-984 5.10
 - 986-989 6.16
 - 996-999 7.10
 - Input 2 [RTD2]
 - 986-989 6.16
 - 996-999 7.10
- rules, data 4.1**
- run/hold mode**
 - 981-984 5.2
- Run/Hold Status [RHS]**
 - 981-984 5.10
- S**
- Sensor Failure Output [FAIL]**
 - 986-989 6.10
 - 996-999 7.5
- serial interface 2.1**
- Serial Number [SRNB], [SRNT]**
 - 981-984 5.10
 - 986-989 6.16
 - 996-999 7.10
- Set Point 1 [SP1]**
 - 986-989 6.16
- Set Point 2**
 - 986-989 [SP2] 6.16
 - 996-999 [SP2A], [SP2B] 7.10
- Set Point 2 Type [SP2C]**
 - 986-989 6.17
- Set Point Channel A [SPA]**
 - 996-999 7.10
- Set Point Channel B [SPB]**
 - 996-999 7.10
- Set Point Value PID Switch [STPT]**
 - 986-989 6.17
- Setup Menu **SEL** 2.1, 3.2, 4.4**
- Simulate HOLD Key [HOLD]**
 - 981-984 5.6
- Slidewire Dead Band % [HUNT]**
 - 981-984 5.6
 - 986-989 6.11

Slidewire Hysteresis [SHYS] 6.16**Software Revision [SOFT]**

981-984 5.10
 986-989 6.16
 996-999 7.10

SP1 1.6-1.7**space <sp> 4.2****Start a File [STRT]**

981-984 5.11

start bit 1.5**Start of Text <STX> 1.6-1.7****Status**

Output 3 [OT3S]
 996-999 7.8

Step Command [STP]

981-984 5.13

stop bit 1.5**STX 1.6-1.7, 4.2****syntax 1.5, 4.1****Syntax Query [MTR] 5.12****System Menu Lockout [SYS]**

986-989 6.17
 996-999 7.11

T**termination resistors 2.3, 2.4****Test Outputs [TOUT]**

981-984 5.11
 986-989 6.17
 996-999 7.11

total characters 4.1**Type**

Input 1 [IN1]
 981-984 5.7
 986-989 6.11
 996-999 7.6

Input 2 [IN2]
 981-984 5.7
 986-989 6.12
 996-999 7.6

U**user responsibility A.1****V****Value [C1]**

Input 1 [C1]
 981-984 5.4
 986-989 6.8
 996-999 7.3

Input 2 [C2]
 981-984 5.4
 986-989 6.8
 996-999 7.3

W**waitfor event 5.5****wiring 2.1****X****XOFF character 4.2****XON character 4.2****XON/XOFF protocol 3.1-3.2, 4.2-4.3, A.1**

Notes

Notes

Notes

Series 981-984, 986-989 and 996-999 Data Communications User's Manual

Watlow Controls, 1241 Bundy Blvd., P.O. Box 5580, Winona, MN 55987-5580; Phone: (507) 454-5300; Fax: (507) 452-4507