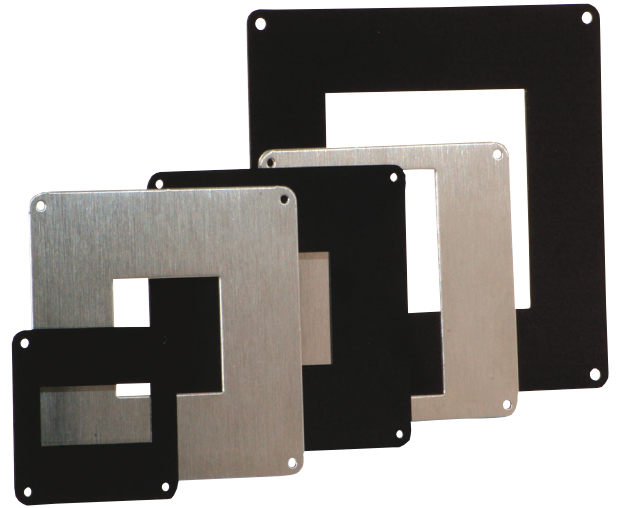


Control Panel Cutout Adapter Plates

Adapter Plates simplify Upgrading Old Controllers in Existing Control Panels



Watlow® panel mount adapter plates provide a convenient, cost-saving solution to modify existing control panels. Available in a variety of DIN sizes, adapter plates make changing out old, larger size temperature controllers with more sophisticated, compact controllers easy. Simply complete the build-a-part with the specifications you require.

Features and Benefits

Standard DIN plate sizes

- Fills void left by most models of old controllers

Standard DIN cutouts

- Allows selection of a new controller based on the desired features

Choice of stainless steel or black anodized aluminum

- Meets a variety of environment and application requirements

CLS200 Specifications

Black anodized aluminum

- Material: aluminum 1100-H14
- Finish: black anodized
- Thickness: 0.063 in. (1.6 mm)

Stainless steel

- Material: stainless steel, 304
- Finish: polished
- Thickness: 0.047 in. (1.2 mm)

Dimensions

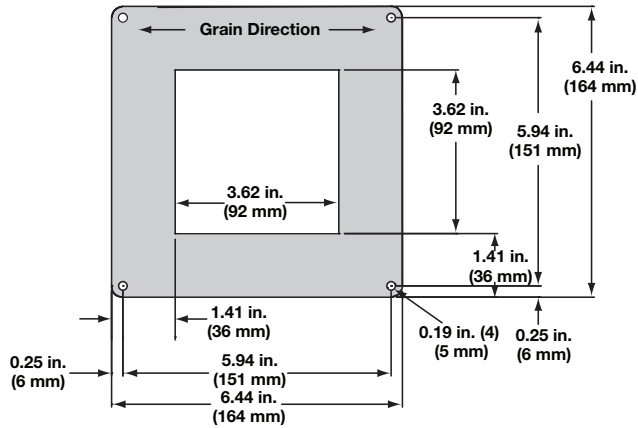
Common dimensions (unless otherwise noted)

- Corner radius: 0.25 in. (6 mm)
- Mounting hole diameter: 0.13 in. (3 mm)
- Mounting hole centers set back from edges: 0.21 in. (5 mm)

Dimensions

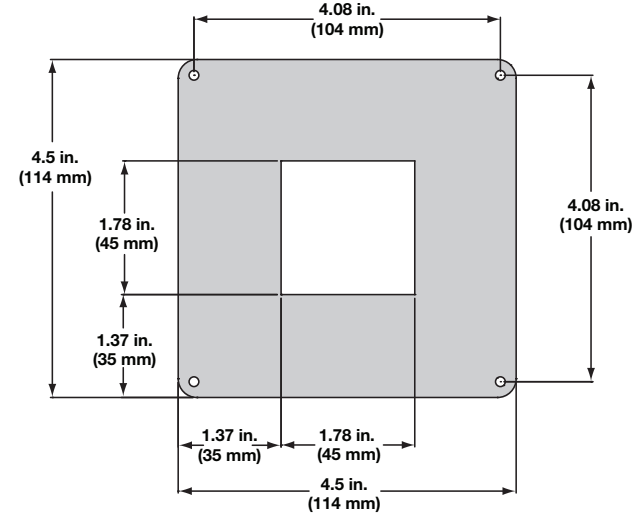
$1/2$ DIN to $1/4$ DIN

(Part Number: 0216-0920-P00X)



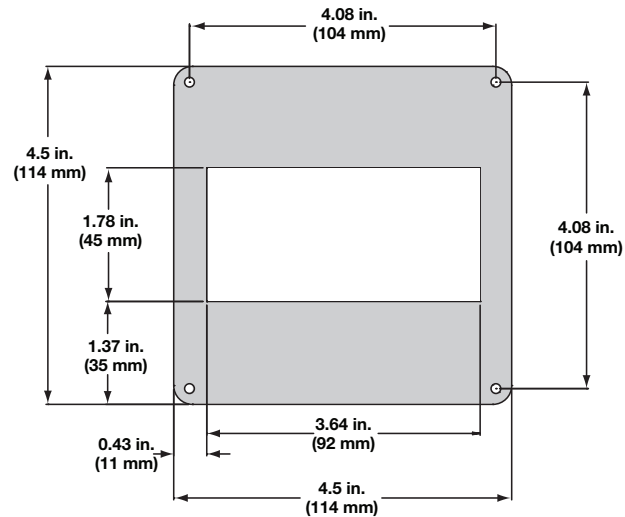
$1/4$ DIN to $1/16$ DIN

(Part Number: 0216-0866-P00X)



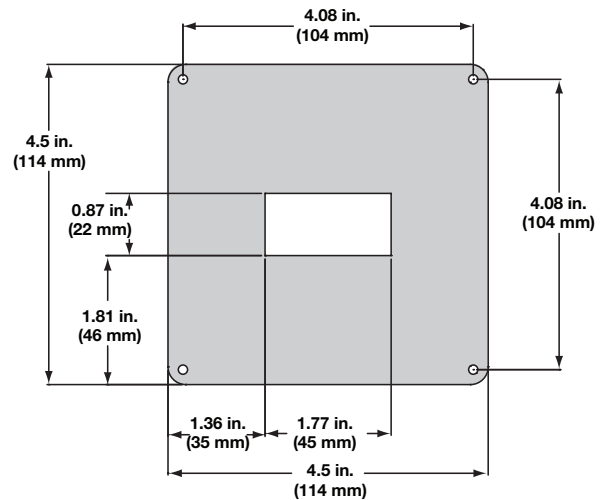
$1/4$ DIN to $1/8$ DIN

(Part Number: 0216-0865-P00X)



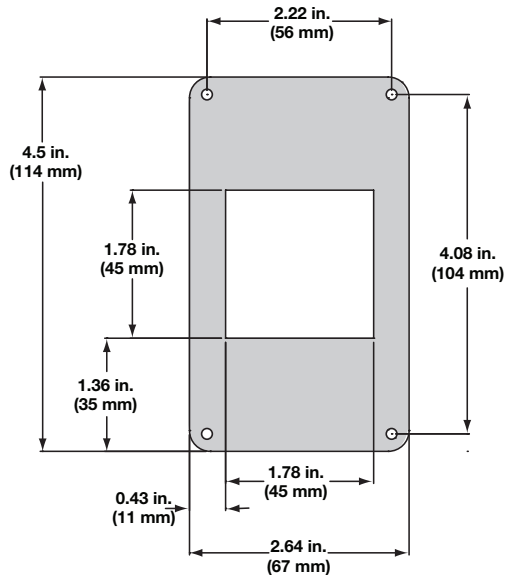
$1/4$ DIN to $1/32$ DIN

(Part Number: 0216-0895-P00X)



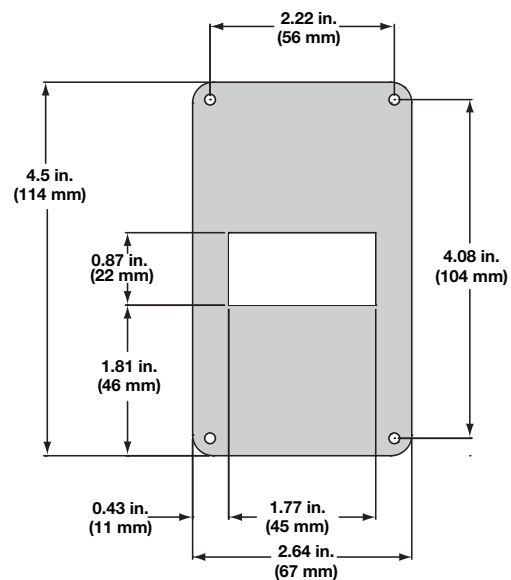
$1/8$ DIN to $1/16$ DIN

(Part Number: 0216-0867-P00X)



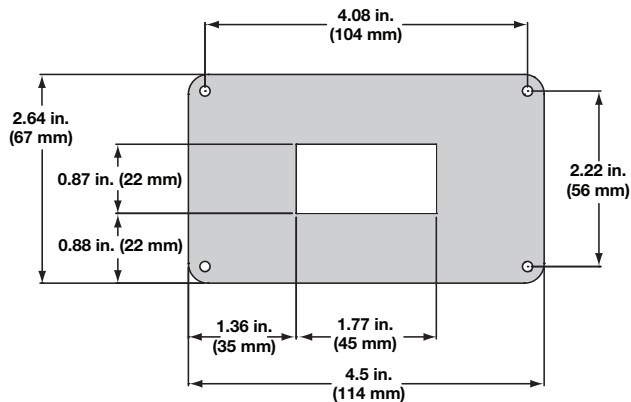
Vertical $1/8$ DIN to Horizontal $1/32$ DIN

(Part Number: 0216-0897-P002)



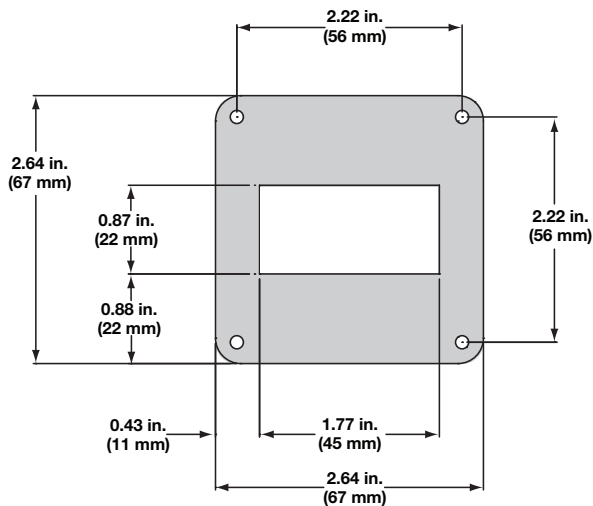
Dimensions (Continued)

Horizontal $\frac{1}{8}$ DIN to Horizontal $\frac{1}{32}$ DIN
(Part Number: 0216-0899-P002)



$\frac{1}{16}$ DIN to $\frac{1}{32}$ DIN

(Part Number: 0216-0900-P00X)



Ordering Information

Part Number

① ② ③ ④	⑤	⑥ ⑦ ⑧ Adapter Plate & Config.	⑨ ⑩ ⑪	⑫ Finish
0216	0		P00	

⑥ ⑦ ⑧	Adapter Plate Size and Configuration
920	= $\frac{1}{2}$ to $\frac{1}{4}$ DIN
865	= $\frac{1}{4}$ to $\frac{1}{8}$ DIN
866	= $\frac{1}{4}$ to $\frac{1}{16}$ DIN
895	= $\frac{1}{4}$ to $\frac{1}{32}$ DIN
867	= $\frac{1}{8}$ to $\frac{1}{16}$ DIN
897*	= Vertical $\frac{1}{8}$ DIN to horizontal $\frac{1}{32}$ DIN
899*	= Horizontal $\frac{1}{8}$ DIN to horizontal $\frac{1}{32}$ DIN
900	= $\frac{1}{16}$ DIN to $\frac{1}{32}$ DIN

*Available in black anodized only

⑫	Finish
2	Black anodize
3	Stainless steel

Powered by Possibility

To be automatically connected to the nearest
North American Technical Sales Office:

1-800-WATLOW2 • www.watlow.com

International Technical Sales Offices:

Austria	+43 6244 20129 0	India	+91 40 6661 2700
China	+86 21 3532 8532	Italy	+39 02 458 8841
France	+33 1 41 32 79 70	Japan	+81 3 3518 6630
Germany	+49 7253 9400 0	Korea	+82 2 2169 2600

Mexico	+52 442 256 2200
Singapore	+65 6773 9488
Spain	+34 91 675 1292
Taiwan	+886 7 288 5168
UK	+44 115 964 0777