

Prevent Freezing and Condensation In Electrical and Mechanical Housings



WATROD™ enclosure heaters are designed to prevent freezing and condensation in electrical and mechanical housings. The WATROD element is enclosed in a perforated, aluminized-steel bracket to prevent direct contact with heating element.

Performance Capabilities

- Watt densities up to 15 W/in² (2.3 W/cm²)
- Wattages up to 1000 watts
- UL® and CSA component recognition up to 250VAC

Features and Benefits

Stainless steel sheath wall

- Resists corrosion and protects the heating coil from exposure

Silicone resin seal

- Provides protection against humid storage conditions and is effective up to 390°F (200°C)

Perforated aluminized-steel mounting bracket

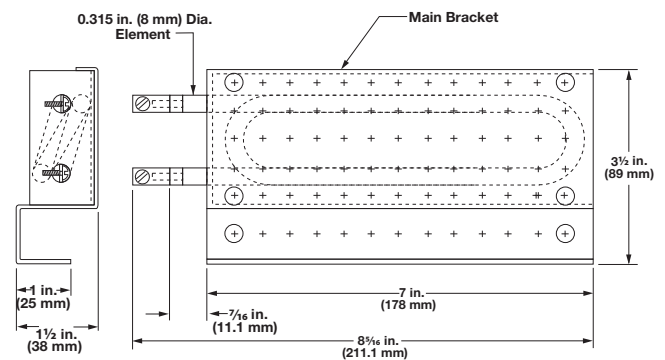
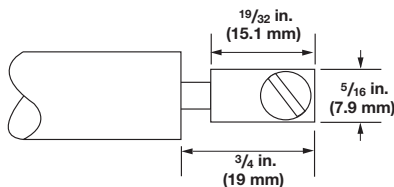
- Eases installation and helps prevent direct contact with the heating element

Made-to-order threaded stud

- Provides quick connect and flexible lead wire termination options

Stock straight projection Type B #10-32 screw lug terminals (see drawing below)

- Provides easy electrical connection



Typical Applications

- Control panels
- Traffic signal boxes
- Automated teller machines
- Switch gear
- Electronic equipment

Application Hints

- Locate heater(s) in the lowest portion of the enclosure to maximize convection heating
- Place thermostat(s) in the upper half of the enclosure, away from the heater(s)

Watts	Watt Density W/in ² (W/cm ²)	Part Number		Est. Net Wt.	
		125VAC	250VAC	lbs	(kg)
95	4 (0.6)	EN951		1.5	(0.7)
100	4 (0.6)		EN10010	1.5	(0.7)
250	10 (1.6)	EN2501	EN25010	1.5	(0.7)
375	15 (2.3)	EN3751	EN37510	1.5	(0.7)

WATROD™ is a trademark of Watlow Electric Manufacturing Company.
UL® is a registered trademark of Underwriter's Laboratories, Inc.

Powered by Possibility



To be automatically connected to the nearest North American Technical Sales Office:

1-800-WATLOW2 • www.watlow.com

International Technical Sales Offices:

Austria	+43 6244 20129 0	India	+91 40 6661 2700	Mexico	+52 442 256 2200
China	+86 21 3532 8532	Italy	+39 02 458 8841	Singapore	+65 6773 9488
France	+33 1 41 32 79 70	Japan	+81 3 3518 6630	Spain	+34 91 675 1292
Germany	+49 7253 9400 0	Korea	+82 2 2169 2600	Taiwan	+886 7 288 5168
				UK	+44 115 964 0777