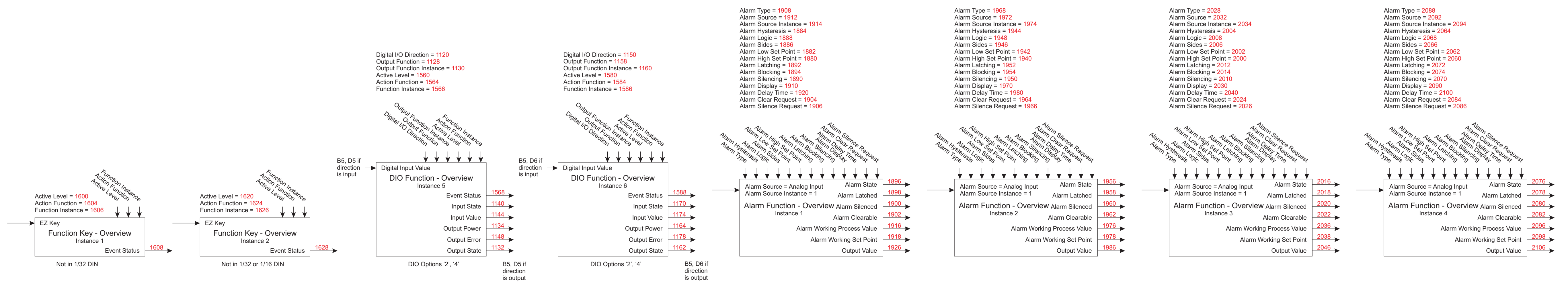
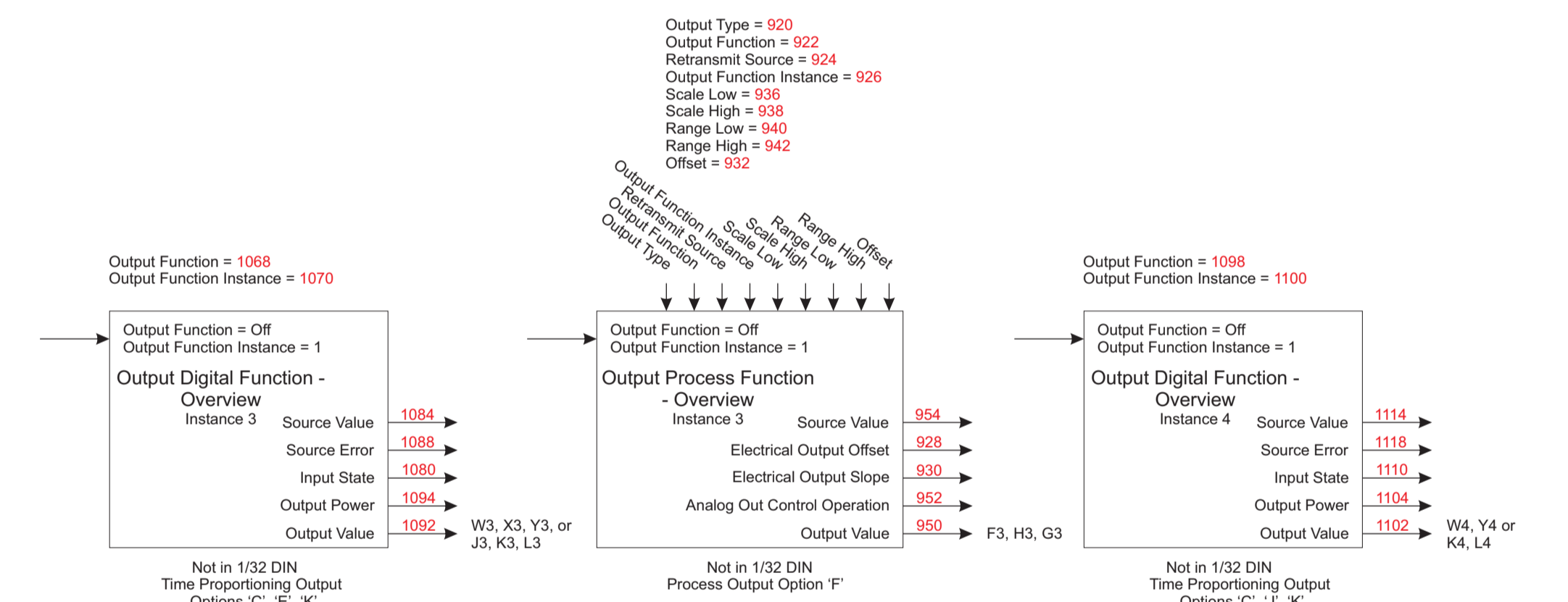
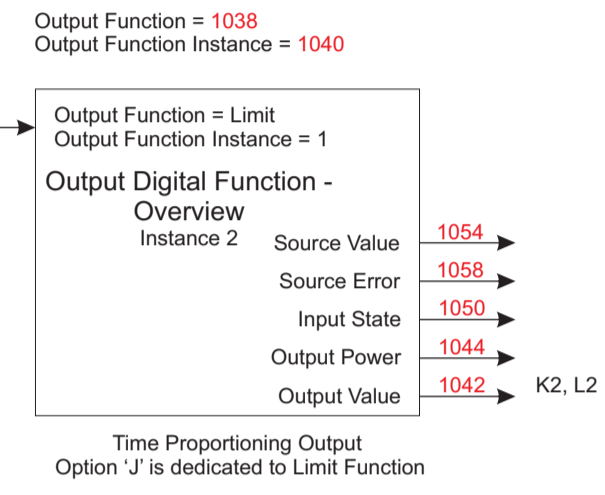
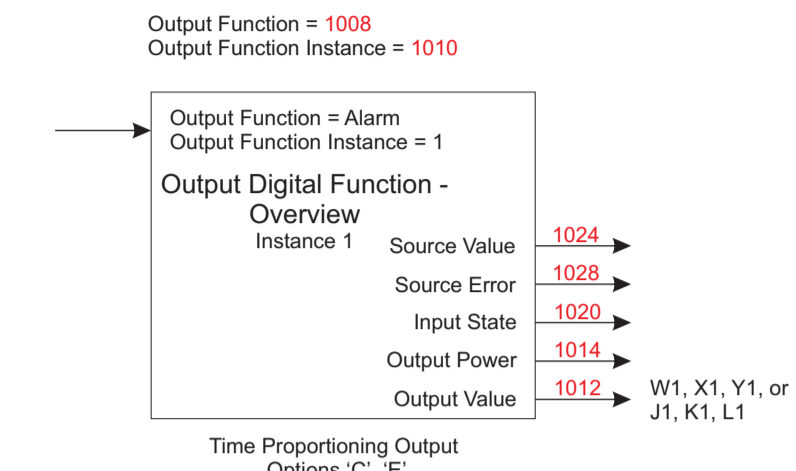
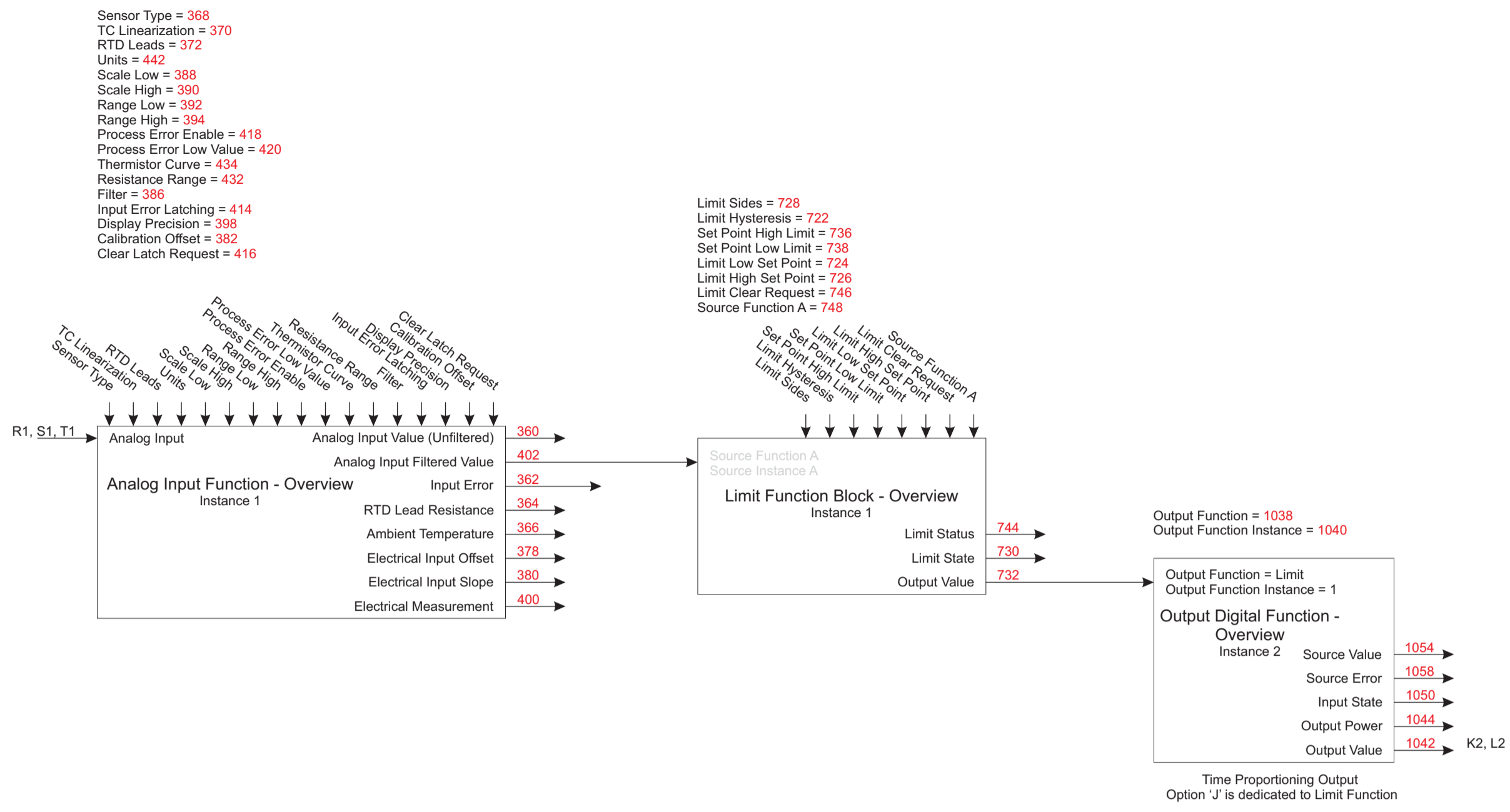


PMx[L,M][2,4]xx-[1,2,3]Axxxxx

1 analog input
2 DIO
1 limit loop
4 outputs (Digital or Process)
Modbus Map 2 registers - red text



PMx[L,M][1,3]xx-[1,2,3]Axxxxx

1 analog input
 0 DIO
 1 limit loop
 4 outputs (Digital or Process)
 Modbus Map 2 registers - red text

