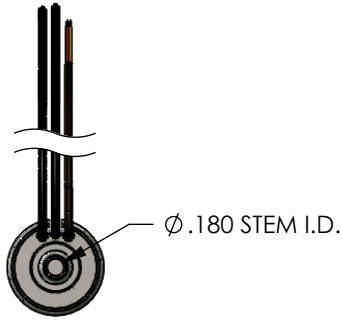


Heater Orientation	
Fluid	Orientation
Liquid	Must Be Vertical (Upwards Flow)
Gas	Vertical or Horizontal

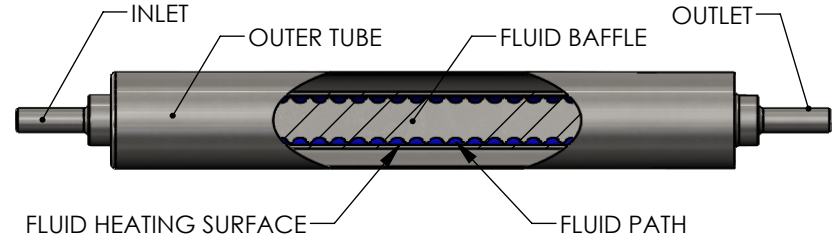
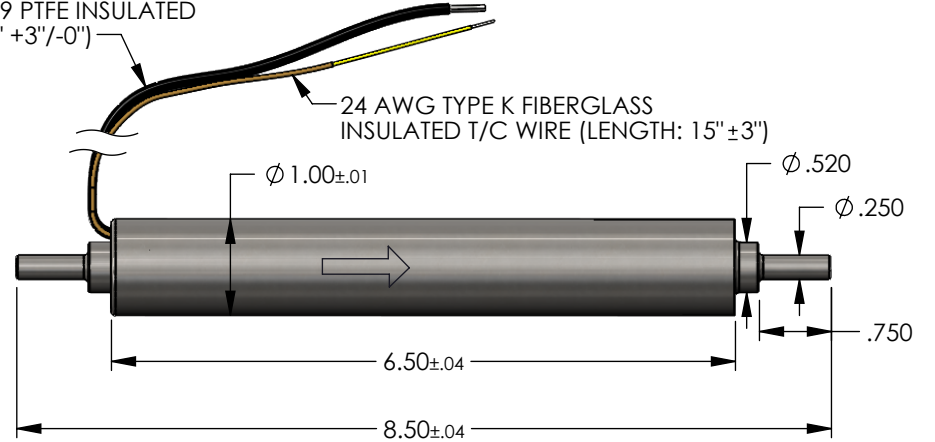


HEATER SPECIFICATIONS	
Voltage:	120 Volts
Heater Circuits:	1 Circuit
Wattage:	500 Watts +5%/-10% @ 20 °C
Heated Surface Watt Density:	63 W/in ²
Temperature Sensor:	Type K Thermocouple
Thermocouple Wire:	24 Gauge, Solid Wire
Thermocouple Wire Length:	15 inches ± 3"
Thermocouple Location:	Outlet End of Heater
Lead Wire:	20 AWG, 7/28 Stranded, UL 1199
Lead Wire Insulation:	PTFE
Lead Wire Max Temp:	200°C Max
Lead Length:	12 inches +3"/-0"
Max Heater Temperature:	350°C
Max Process Temperature:	Dependent on Fluid & Flow Rates
Pressure Drop:	Dependent on Fluid & Flow Rates
Max Pressure:	150 PSI
Dielectric Rating:	1,250 VAC, 5 sec at 20°C
Agency Recognition:	UL, CE, RoHS
Wetted Materials:	AISI 316, 316L, 444
Outer Tube Material:	Stainless Steel
Approximate Heater Weight:	0.6 lbs

REVISION HISTORY				
REV.	ECO#	DESCRIPTION	DATE	BY
B	23191	PRODUCTION PROTOTYPE RELEASE	3/16/2017	JPG
C	9280	UPDATED TC TOLERANCE AND SPECIFICATIONS	1/7/2019	JPG

20 AWG UL1199 PTFE INSULATED LEAD WIRE (12" +3"/-0")

24 AWG TYPE K FIBERGLASS INSULATED T/C WIRE (LENGTH: 15" ± 3")



<small>UNLESS OTHERWISE SPECIFIED, DIMENSIONS ARE IN INCHES & (MILLIMETERS) PER ASME Y14.5M-1994. TOLERANCES: FRACTIONS ± 1/16" X ± 0.1" .XX ± 0.01" & [X] ± 0.3mm .XXX ± 0.005" & [XX] ± 0.13mm .XXXX ± 0.0005" & [XXX] ± 0.013mm ANGLES ± 0.5°</small>	DWN:	JPG	01/05/16	<p>12001 Lackland Road St. Louis, MO 63146 PHONE 314-878-4600 FAX 314-878-6814</p>	
	CHK:				
	ENG:				
	MFG:				
<small>CONFIDENTIAL: This drawing and all information associated therewith may contain the confidential information of Watlow, or its customers or suppliers, which is subject to patent, trademark, copyright, or trade secret protection. Neither this drawing or the information associated therewith should be reproduced, used, or disclosed to others without the prior written permission of Watlow. Copyright 2004 Watlow Electric Manufacturing Co. All rights reserved.</small>	QA:			TITLE FLUENT 1" DIAMETER 120V, 500W 6.5" Outer Tube Length	
	PUR:				
	<p>THIRD ANGLE PROJECTION</p>		SIZE	DWG. NO.	REV
	CAD/REF. NO.		SCALE	WEIGHT	SHEET
		A	FLC-6	C	
		1:2		1 OF 1	