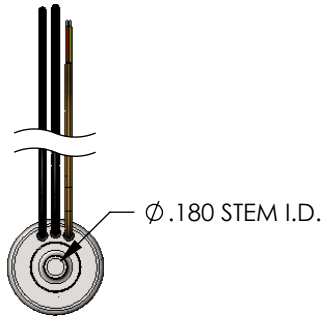


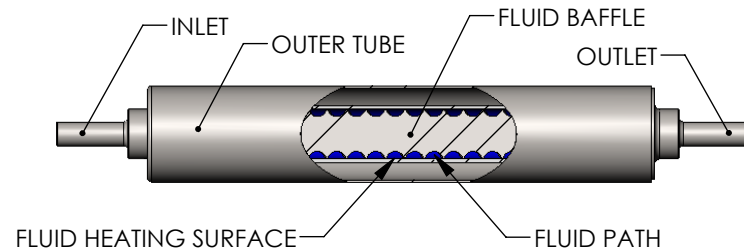
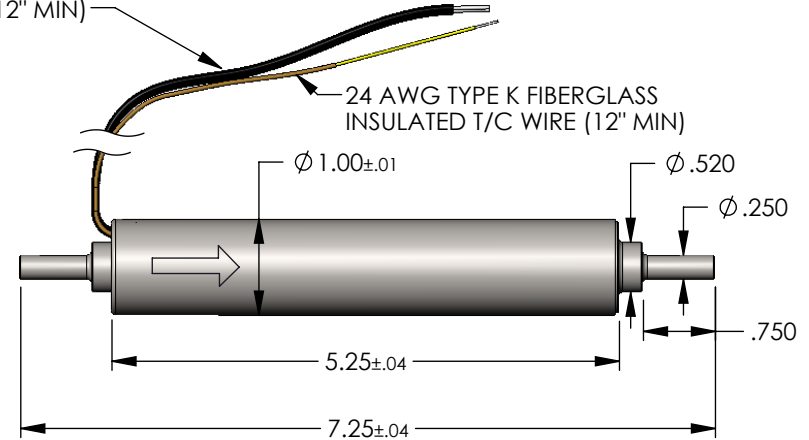
| REVISION HISTORY | | | | |
|------------------|------|------------------------------|----------|-----|
| REV. | ECO# | DESCRIPTION | DATE | BY |
| A1 | | PRE-PRODUCTION PROTOTYPES | 1/5/2016 | JPG |
| A2 | | CHANGED FLS-M04-001 TO FLC-4 | 8/9/2016 | JPG |



| HEATER SPECIFICATIONS | |
|---------------------------------|---------------------------------|
| Voltage: | 120 Volts |
| Heater Circuits: | 1 Circuit |
| Wattage: | 375 Watts +5%/-10% @ 20 °C |
| Temperature Sensor: | Type K Thermocouple |
| Thermocouple Wire: | 24 Gauge, Solid Wire |
| Thermocouple Wire Length: | Minimum 12 inches |
| Thermocouple Location: | Outlet End of Heater |
| Lead Wire: | 20 AWG, 7/28 Stranded, UL 1199 |
| Lead Wire Insulation: | PTFE |
| Lead Wire Max Temp: | 200°C Max |
| Lead Length: | Minimum 12 inches |
| Max Heater Temperature: | 250°C |
| Max Process Temperature: | Dependent on Fluid & Flow Rates |
| Pressure Drop: | Dependent on Fluid & Flow Rates |
| Dielectric Rating: | 1,250 VAC, 5 sec at 20°C |
| Insulation Resistance: | > 200 Mohm at 500 VDC at 20°C |
| Fluid Heating Surface Material: | AISI 444 |
| Fluid Baffle Material: | AISI 316L |
| Inlet/Outlet Material: | AISI 316L |
| Outer Tube Material: | Stainless Steel |
| Approximate Heater Weight: | 0.5 lbs |

| Heater Orientation | |
|--------------------|---------------------------------|
| Fluid | Orientation |
| Liquid | Must Be Vertical (Upwards Flow) |
| Gas | Vertical or Horizontal |

20 AWG UL1199 PTFE INSULATED LEAD WIRE (12" MIN)



UNLESS OTHERWISE SPECIFIED, DIMENSIONS ARE IN INCHES & [MILLIMETERS] PER ASME Y14.5M-1994. TOLERANCES: FRACTIONS ±1/16" X ±.01" .XX ± 0.01" & [.X] ± 0.3mm .XXX ± 0.005" & [.XX] ± 0.13mm .XXXX ± 0.0005" & [.XXX] ± 0.013mm ANGLES ±0.5°

CONFIDENTIAL: This drawing and all information associated therewith may contain the confidential information of Watlow, or its customers or suppliers, which is subject to patent, trademark, copyright, or trade secret protection. Neither this drawing or the information associated therewith should be reproduced, used, or disclosed to others without the prior written permission of Watlow. Copyright 2004 Watlow Electric Manufacturing Co. All rights reserved.

| | | |
|-------------------------------|-----|----------|
| DWN: | JPG | 01/05/16 |
| CHK: | | |
| ENG: | | |
| MFG: | | |
| QA: | | |
| PUR: | | |
| <p>THIRD ANGLE PROJECTION</p> | | |
| CAD/REF. NO. | | |

12001 Lackland Road
St. Louis, MO 63146
PHONE 314-878-4600
FAX 314-878-6814

WATLOW

TITLE
**FLUENT 1" DIAMETER
120V, 375W
5.25" Outer Tube Length**

| | | |
|-------|----------|--------|
| SIZE | DWG. NO. | REV |
| A | FLC-4 | A2 |
| SCALE | WEIGHT | SHEET |
| 1:2 | | 1 OF 1 |