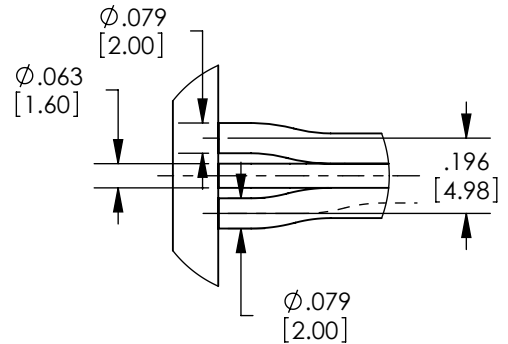


REVISION HISTORY				
REV.	ECO#	DESCRIPTION	DATE	BY
1		18=>20 awg	10/17/07	YW

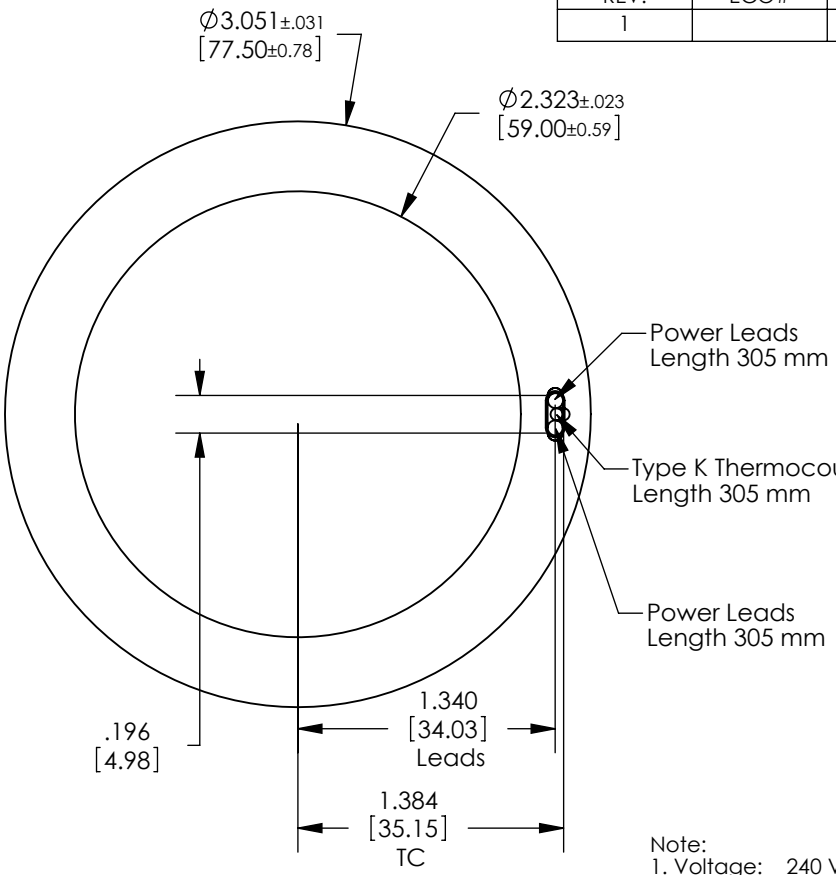
0.002[0.05] A 0.002[0.05]

.118±.004
[3.00±0.10]

Ra < 1.5 μm
Ra < 1.5 μm



DETAIL A
SCALE 2 : 1

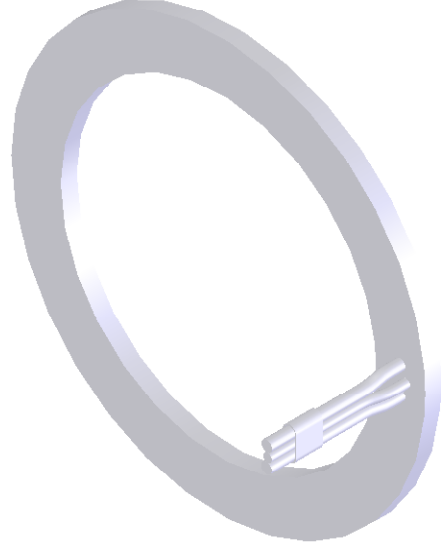


Power Leads
Length 305 mm

Type K Thermocouple
Length 305 mm

Power Leads
Length 305 mm

- Note:
1. Voltage: 240 VAC
 2. Power: 770 Watt (nominal)
 3. Resistance: 74.8 ± 18.7 ohm
 4. Maximum temperature: 400C
 5. Temperature sensor: Type K Thermocouple
 6. Lead: 20 gauge 12' long teflon insulated Ag plated Cu wire.



UNLESS OTHERWISE SPECIFIED, DIMENSIONS ARE IN INCHES PER ASME Y14.5M-1994.
TOLERANCES:
X = ±0.1 .XX = ±.01
.XXX = ±0.005 .XXXX = ±.0005
ANGLES = ±0.5° FRACTIONS = ±1/16
METRIC TOLERANCES:
[X] ± .3 mm
[XX] ± .13 mm
[XXX] ± .013 mm

CONFIDENTIAL: This drawing and all information associated therewith may contain the confidential information of Watlow, or its customers or suppliers, which is subject to patent, trademark, copyright, or trade secret protection. Neither this drawing or the information associated therewith should be reproduced, used, or disclosed to others without the prior written permission of Watlow. Copyright 2004 Watlow Electric Manufacturing Co. All rights reserved.

FINISH	FINISH
MATERIAL	AIN
CUSTOMER	Watlow Sales

DWN:	YW	09/08/06
CHK:		
ENG:		
MFG:		
QA:		
PUR:		
 THIRD ANGLE PROJECTION		
CAD/REF. NO.		

909 Horan Drive
Fenton, MO 63026
Phone 636-349-5123
Fax 636-349-5352

ULTRAMIC 600
Advanced Ceramic Heater
Part # CER-1-02-00002
(Customer)

SIZE	DWG. NO.	REV
A	CER-1-02-00002_Customer	1
SCALE	WEIGHT	SHEET
1:1		1 OF 1

REV: CER-1-02-00002_Customer DWG: 1 SHEET: 1 OF 1 FORM: TITLE BLOCK REV. A