

2

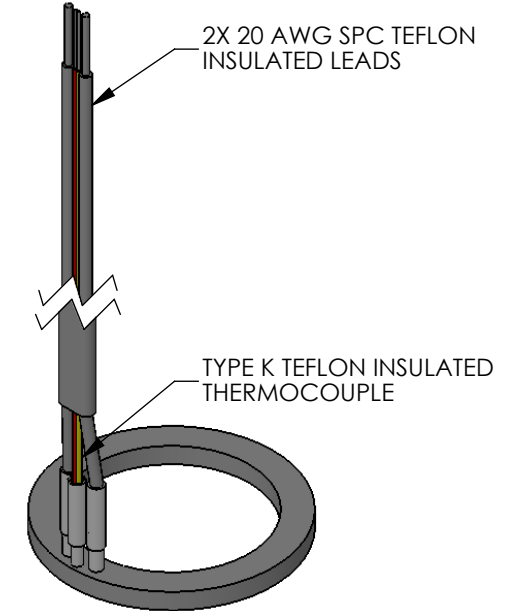
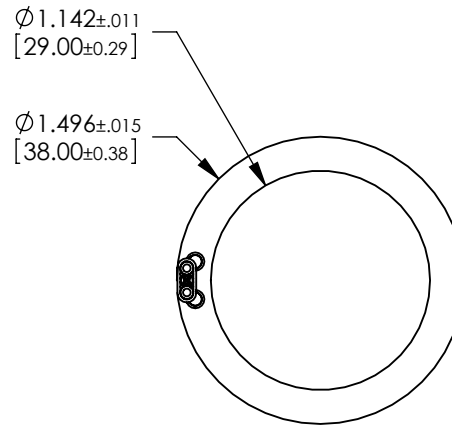
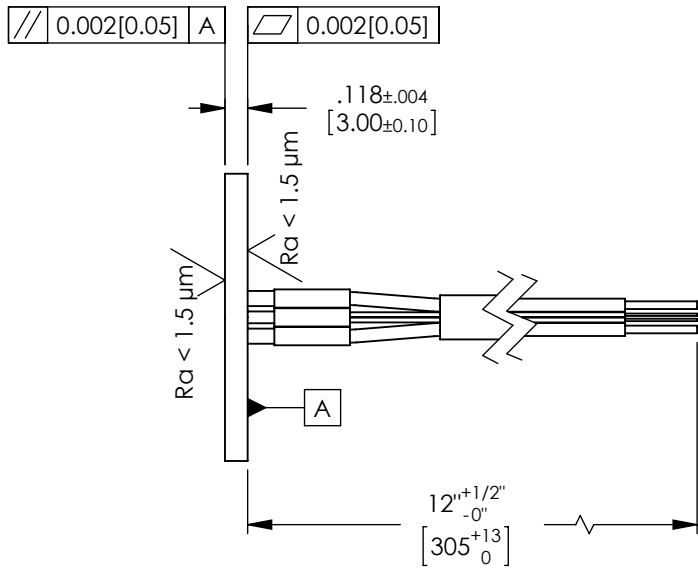
1

REVISION HISTORY				
REV.	ECO#	DESCRIPTION	DATE	BY
0		ORIGINAL RELEASE	4/28/2006	YW
1		110=>120 VOLT	5/24/2006	YW
2		ADD TOLERANCE	7/21/2006	YW
3		18=>20 AWG	8/15/2007	YW
4		REDRAWN	10/13/2008	KAH

FORM: 1 CER-1-02-00001-Customer 4

B

B



NOTES:

1. VOLTAGE: 120 VOLTS
2. POWER: 733 WATTS (NOMINAL) AT 25°C.
3. RESISTANCE: 19.65 ± 4.91 OHMS AT 25°C.
4. TCR: .00150 ± .00025 /°C.
5. MAXIMUM TEMPERATURE: 400°C.

A

A

FINISH	
MATERIAL	AIN
CUSTOMER	WATLOW SALES

UNLESS OTHERWISE SPECIFIED, DIMENSIONS ARE IN INCHES & [MILLIMETERS] PER ASME Y14.5M-1994. TOLERANCES: FRACTIONS ± 1/16" X ± 0.1" .XX ± 0.01" & [X] ± 0.3mm .XXX ± 0.005" & [XX] ± 0.13mm .XXXX ± 0.0005" & [XXX] ± 0.013mm ANGLES ± 0.5°	DWN:	YW	4/28/06
	CHK:		
	ENG:		
	MFG:		
CONFIDENTIAL: This drawing and all information associated therewith may contain the confidential information of Watlow, or its customers or suppliers, which is subject to patent, trademark, copyright, or trade secret protection. Neither this drawing or the information associated therewith should be reproduced, used, or disclosed to others without the prior written permission of Watlow. Copyright 2004 Watlow Electric Manufacturing Co. All rights reserved.	QA:		
	PUR:		
	 THIRD ANGLE PROJECTION		
CAD/REF. NO.	CER-1-02-00001		

		909 Horan Drive Fenton, MO 63026 Phone 636-349-5123 Fax 636-349-5352	
		TITLE <b>ULTRAMIC 600 ADVANCED CERAMIC HEATER CUSTOMER</b>	
SIZE <b>A</b>	DWG. NO. CER-1-02-00001-Customer	REV <b>4</b>	
SCALE <b>1:1</b>	WEIGHT	SHEET <b>1 OF 1</b>	

2

FORM: TITLE BLOCK REV. A