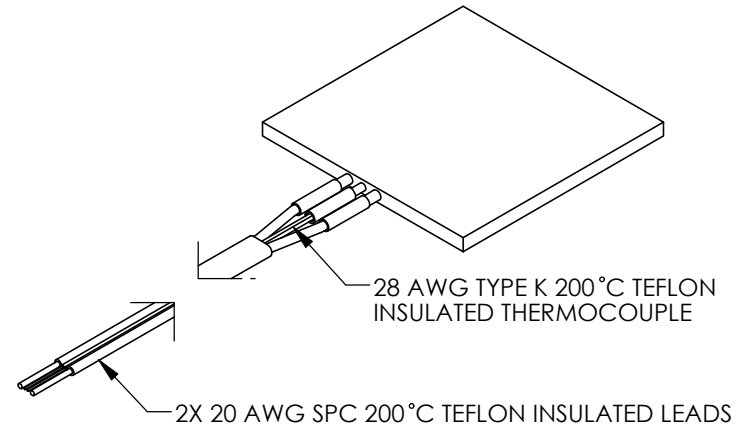
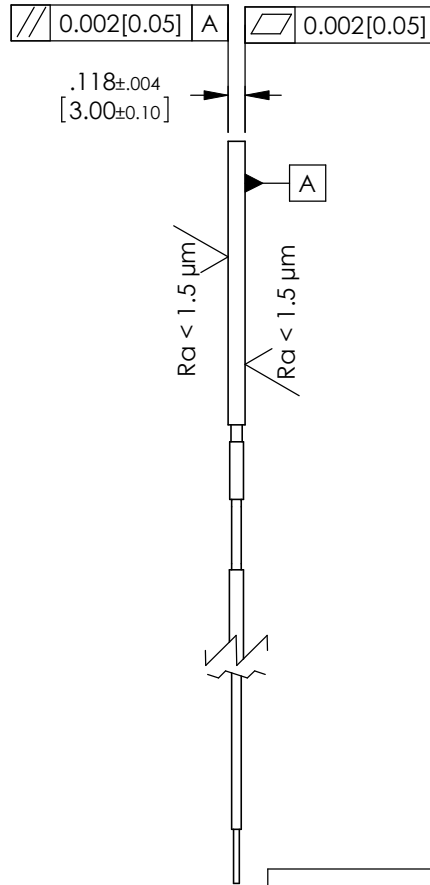
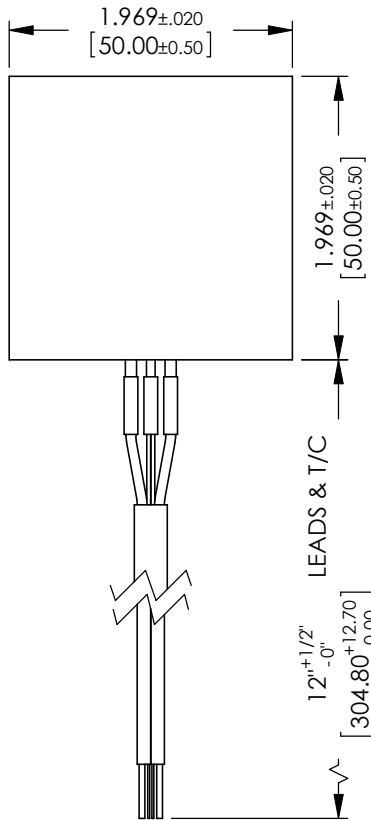


REVISION HISTORY				
REV.	ECO#	DESCRIPTION	DATE	BY
1		ORIGINAL RELEASE	6/2/2008	KAH



- NOTES:
1. VOLTAGE: 240 VOLTS
 2. POWER: 1938 WATTS (NOMINAL) AT 25°C.
 3. RESISTANCE: 29.72 ± 7.43 OHMS AT 25°C.
 4. TCR: .00150 ± .00025 /°C.
 5. MAXIMUM TEMPERATURE: 400°C.

UNLESS OTHERWISE SPECIFIED, DIMENSIONS ARE IN INCHES & [MILLIMETERS] PER ASME Y14.5M-1994. TOLERANCES: FRACTIONS ±1/16" X ±.01" .XX ± 0.01" & [.X] ± 0.3mm .XXX ± 0.005" & [.XX] ± 0.13mm .XXXX ± 0.0005" & [.XXX] ± 0.013mm ANGLES ±0.5°	DWN:	KAH	3/30/10		909 Horan Drive Fenton, MO 63026 Phone 636-349-5123 Fax 636-349-5352
	CHK:				
CONFIDENTIAL: This drawing and all information associated therewith may contain the confidential information of Watlow, or its customers or suppliers, which is subject to patent, trademark, copyright, or trade secret protection. Neither this drawing or the information associated therewith should be reproduced, used, or disclosed to others without the prior written permission of Watlow. Copyright 2004 Watlow Electric Manufacturing Co. All rights reserved.	ENG:			TITLE ULTRAMIC 600 ADVANCED CERAMIC HEATER CUSTOMER	
	MFG:				
	QA:				
FINISH MATERIAL AIN CUSTOMER WATLOW SALES	PUR:			SIZE A DWG. NO. CER-1-01-00374-Customer REV 1	
	 THIRD ANGLE PROJECTION	CAD/REF. NO.	CER-1-01-00374	SCALE 3:4 WEIGHT SHEET 1 OF 1	