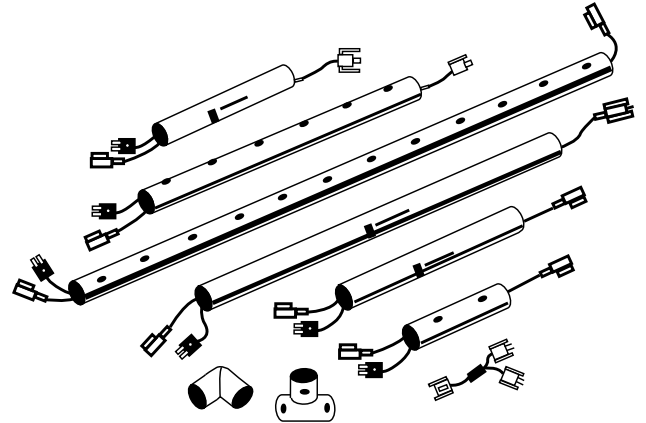


Silicone Rubber Gas Line Heaters And Insulators For Semiconductor Applications



Features

- Heater watt density of 2.5 W/in² on gas line O.D.
- UL® Listed to U.S. and Canadian safety standards
- Heaters and insulators meet UL94HB flammability requirements
- Lead pair extends 3 inches past each end of the heaters
- Insulated straight fillers—elbows and tees are trim-to-fit to length to insure 100 percent line coverage
- Optional thermocouples are #30 AWG, Type J, Teflon® insulated
- Optional thermocouples are supplied with mini, male thermocouple connector
- Heaters can be linked/daisy chained to a maximum of 10 amps
- Quick on-off installation with snap closures
- Connectors are positive locking

Warning:

These heaters are not designed for hazardous locations.
These heaters are not designed for outdoor locations.
These heaters are not designed for total or partial immersion.
These heaters should only be installed on grounded metallic tubing systems or GFI protected circuit.

Watlow's standard line of gas line heaters is designed to offer quick delivery from stock of components for heating gas delivery lines. These standard products are built using a silicone rubber heater material insulated with closed cell silicone rubber sponge. The heaters are available with an optional thermocouple for temperature control.



Watlow Columbia

A Subsidiary of Watlow, Designer and Manufacturer of Industrial Heaters, Sensors and Controls
2101 Pennsylvania Ave.
Columbia, Missouri 65202 USA
Phone: 573-474-9402
Fax: 573-814-1300
Internet: www.watlow.com

UL® is a registered trademark of Underwriters Laboratories, Inc.
Teflon® is a registered trademark of E.I. du Pont de Nemours & Company.

UPSTREAM GAS LINE HEATERS

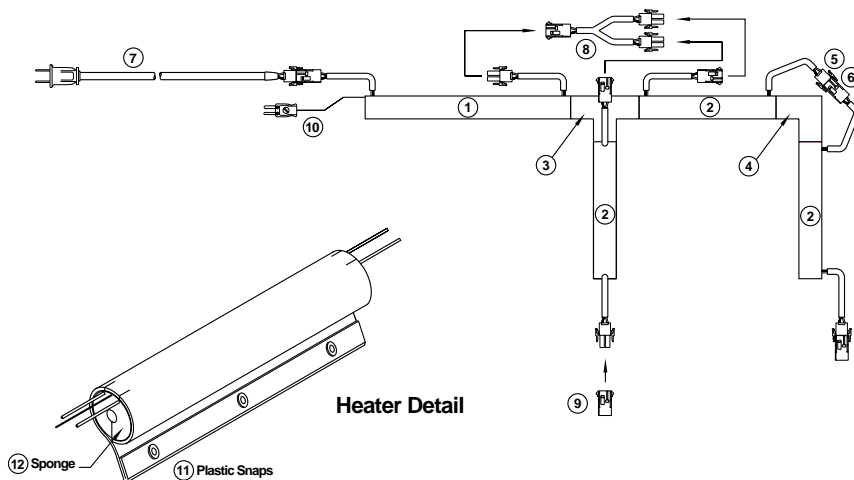
Stock Gasline Offering By Line Diameter

¼ Inch x					¼ Inch	¼ Inch
Length	Description	Volts	Watts	Amperes	Without T/C	With Type J T/C
6"	Heated straight	120	12	0.10	008060C1	008060C1A
9"	Heated straight	120	18	0.15	008090C1	008090C1A
12"	Heated straight	120	24	0.20	008120C1	008120C1A
18"	Heated straight	120	36	0.30	008180C1	008180C1A
24"	Heated straight	120	48	0.40	008240C1	008240C1A
36"	Heated straight	120	72	0.60	008360C1	008360C1A
¼" x 18"	Straight insulator	N/A	Trim-to-fit	Insulator	008180C0	
* ¼" Elbow	90° Union Elbow insulator	N/A	Trim-to-fit	Insulator	008020C0	
* ¼" "T"	Union Tee insulator	N/A	Trim-to-fit	Insulator	008030C0	
½ Inch x					½ Inch	½ Inch
6"	Heated straight	120	24	0.20	016060C1	016060C1A
9"	Heated straight	120	36	0.30	016090C1	016090C1A
12"	Heated straight	120	48	0.40	016120C1	016120C1A
18"	Heated straight	120	72	0.60	016180C1	016180C1A
24"	Heated straight	120	96	0.80	016240C1	016240C1A
36"	Heated straight	120	144	1.20	016360C1	016360C1A
½" x 18"	Straight insulator	N/A	Trim-to-fit	Insulator	016180C0	
* ½" Elbow	90° Union Elbow insulator	N/A	Trim-to-fit	Insulator	016020C0	
* ½" "T"	Union Tee insulator	N/A	Trim-to-fit	Insulator	016030C0	
Accessories	Part Numbers					
Power Cord	18-2 SJO (6')	N/A			Z-5302-2	
Y Connector	Allows connection to both legs of a T fitting				Z-5303-2	
Dead Plug	Plugs the output of the last heater on the line				Z-5309-2	(Included with each power cord and Y connector)

* For use on Micro-Fit® weld fittings

Micro-Fit® is a registered trademark of CAJON Company, A SWAGELOK® Company.

Upstream Gasline Heater Assembly



- 1) Nine-inch heater with thermocouple. Heater leads have male plug on one end and a female cap on the other end. Heater materials UL® rated to 428°F (220°C).
- 2) Six-inch heater. Heater leads, see 1.
- 3) Union Tee insulator.
- 4) 90° union elbow insulator.
- 5) Male plug, amp p/n 1-480698-0 w/ sockets
amp p/n 350689-1.
- 6) Female cap, amp p/n 1-480699-0 w/ pins
amp p/n 350690-1.
- 7) Six-foot 18-2 SJO power supply cord. Cord has 120 volt plug on one end and a male plug on the other end.
- 8) Y Connector: one female cap on one end; two male plugs on the other end.
- 9) Dead plug (sealed).
- 10) Type J thermocouple w/ male mini-plug (optional).
- 11) High-temp plastic snaps 212°F (100°C).
- 12) ¾-inch wall, silicone rubber, closed cell sponge.