

Control Adapter Plate

Data Sheet

Ordering Information

Cutout adapter plates for
reducing cutout size.

0 2 1 6 - 0 - P 0 0

Plate Size

- 920 = 1/2 DIN to 1/4 DIN
- 865 = 1/4 DIN to 1/8 DIN
- 866 = 1/4 DIN to 1/16 DIN
- 895 = 1/4 DIN to 1/32 DIN/Single
- 896 = 1/4 DIN to 1/32 DIN/Dual
- 867 = 1/8 DIN to 1/16 DIN
- 897 = 1/8 DIN to 1/32 DIN/Vertical/Single
- 898 = 1/8 DIN to 1/32 DIN/Vertical/Dual
- 899 = 1/8 DIN to 1/32 DIN/Horizontal/Single
- 900 = 1/16 DIN to 1/32 DIN
- 885 = Blank Plate, 1/8 DIN, No Cutout
- 888 = Single 1/8 DIN Vertical Cutout
- 887 = Single 1/16 DIN Cutout
- 886 = Dual 1/16 DIN Cutout

Finish


- 2 = Black Anodize (Available for DIN Control Adapter Plates Only)
- 3 = Stainless Steel, #4 Polished

See Figures 1-14, pp 2-4, for Adapter Plate Dimensions



1241 Bundy Boulevard, P.O. Box 5580, Winona, Minnesota 55987-5580, Phone: 507 454-5300, Fax: 507 452-4507

0600-0004-0002 Rev B
November, 2004
Supersedes:
WCAP-XDSN Rev A01

 Printed on Recycled Paper

DIN Control Adapter Plates

Figure 1 - 1/2 DIN to 1/4 DIN
Order Part Number: 0216-0920-P00X

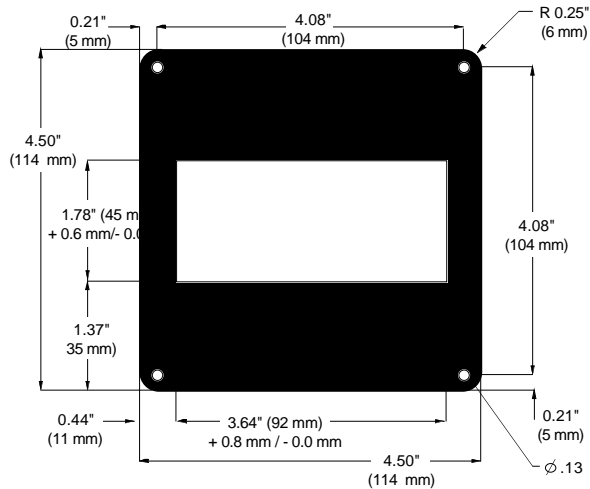
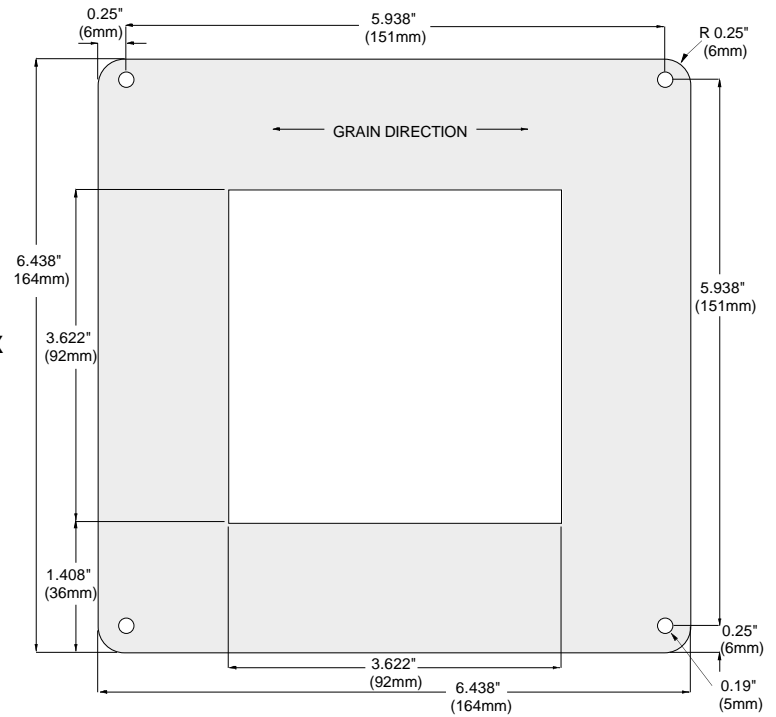


Figure 2 - 1/4 DIN to 1/8 DIN
Order Part Number: 0216-0865-P00X

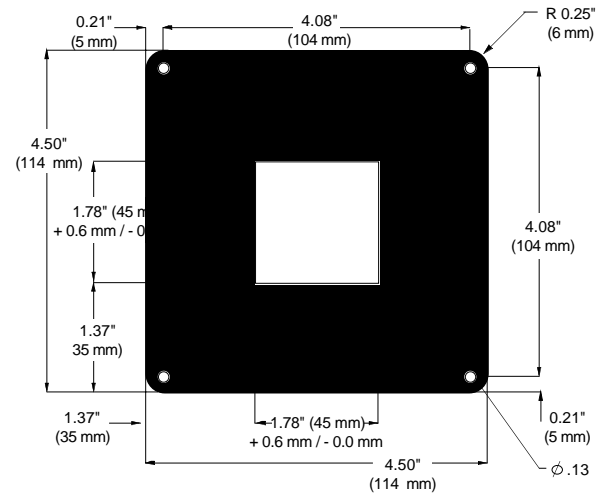


Figure 3 - 1/4 DIN to 1/16 DIN
Order Part Number: 0216-0866-P00X

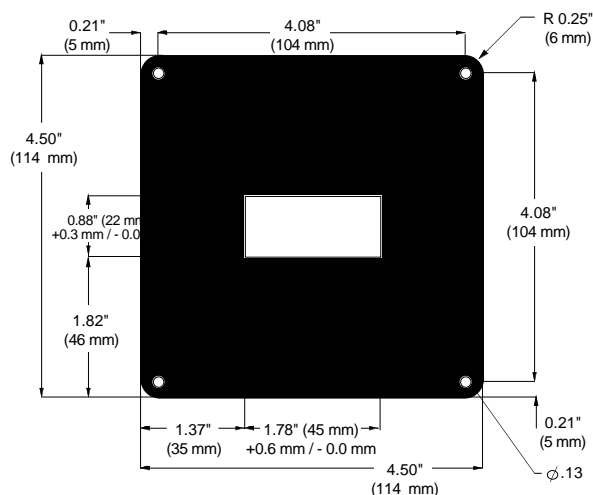


Figure 4 - 1/4 DIN to 1/32 DIN/Single
Order Part Number: 0216-0895-P00X

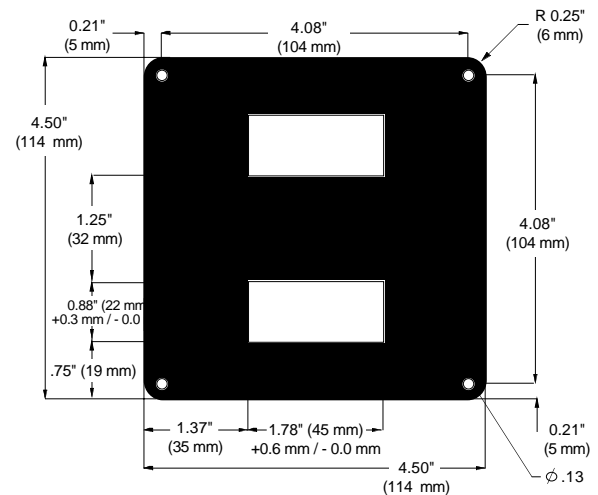


Figure 5 - 1/4 DIN to 1/32 DIN/Dual
Order Part Number: 0216-0896-P00X

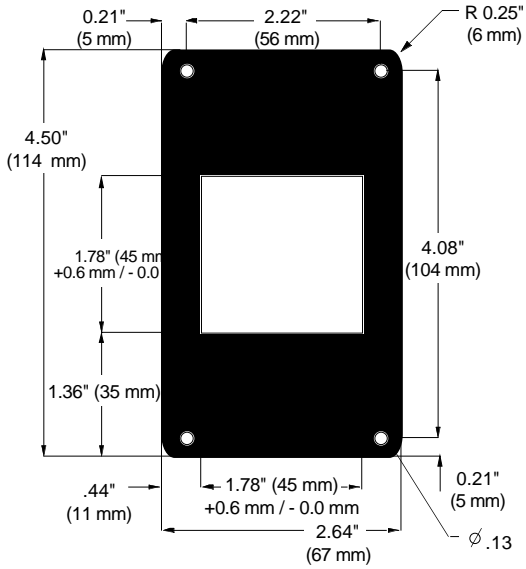


Figure 6 - 1/8 DIN to 1/16 DIN
Order Part Number: 0216-0867-P00X

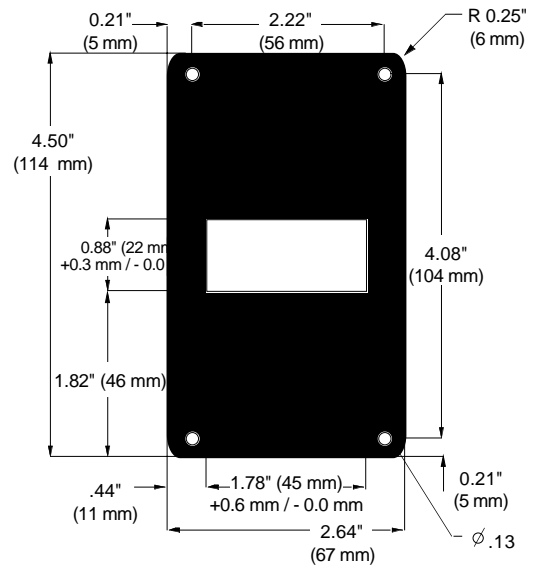


Figure 7 - 1/8 DIN to 1/32 DIN/Vertical/Single
Order Part Number: 0216-0897-P00X

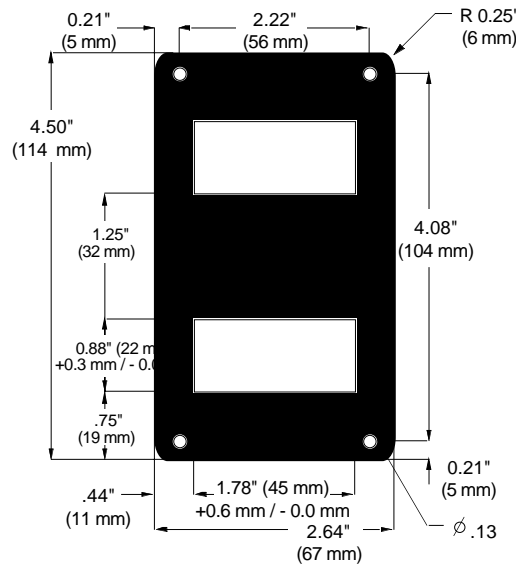


Figure 8 - 1/8 DIN to 1/32 DIN/Vertical/Dual
Order Part Number: 0216-0898-P00X

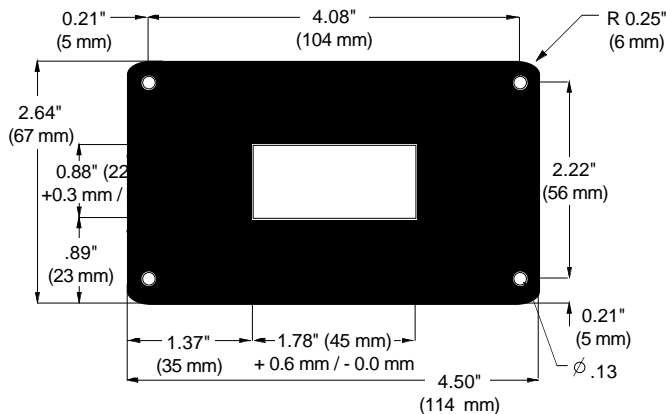


Figure 9 - 1/8 DIN to 1/32 DIN/Horizontal/Single
Order Part Number: 0216-0899-P00X

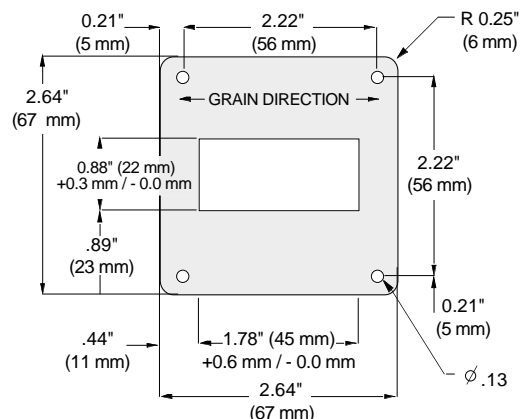


Figure 10 - 1/16 DIN to 1/32 DIN
Order Part Number: 0216-0900-P00X

Non-DIN Retrofit Control Adapter Plates

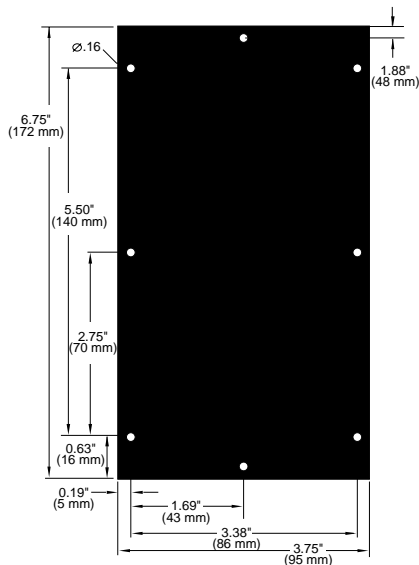


Figure 11 - Blank Plate, 1/8 DIN, No Cutout
Order Part Number: 0216-0885-P003

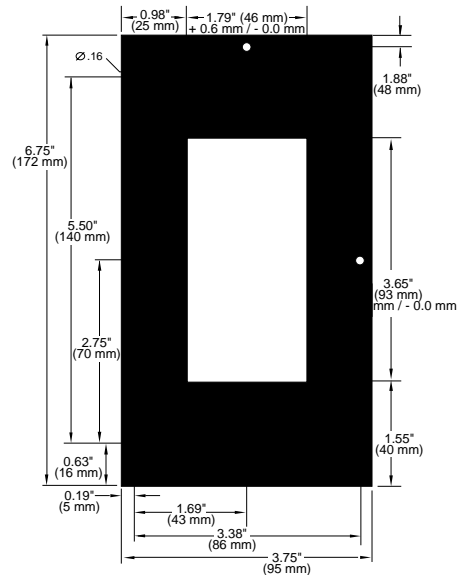


Figure 12 - Single 1/8 DIN Vertical Cutout
Order Part Number: 0216-0888-P003

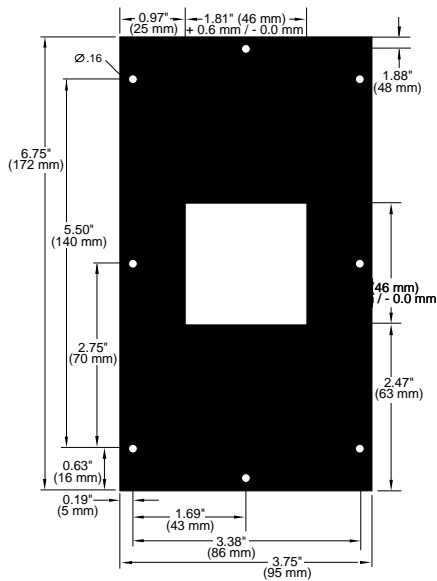


Figure 13 - Single 1/16 DIN Cutout
Order Part Number: 0216-0887-P003

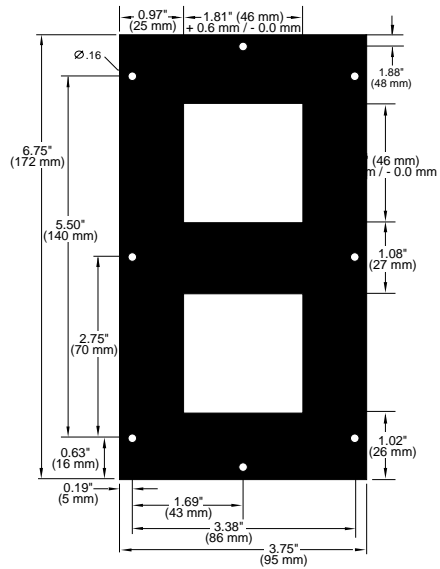


Figure 14 - Dual 1/16 DIN Cutout
Order Part Number: 0216-0886-P003